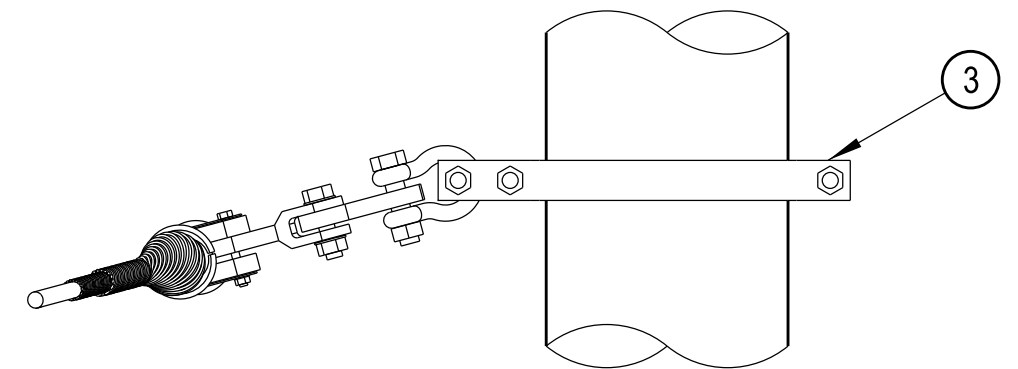
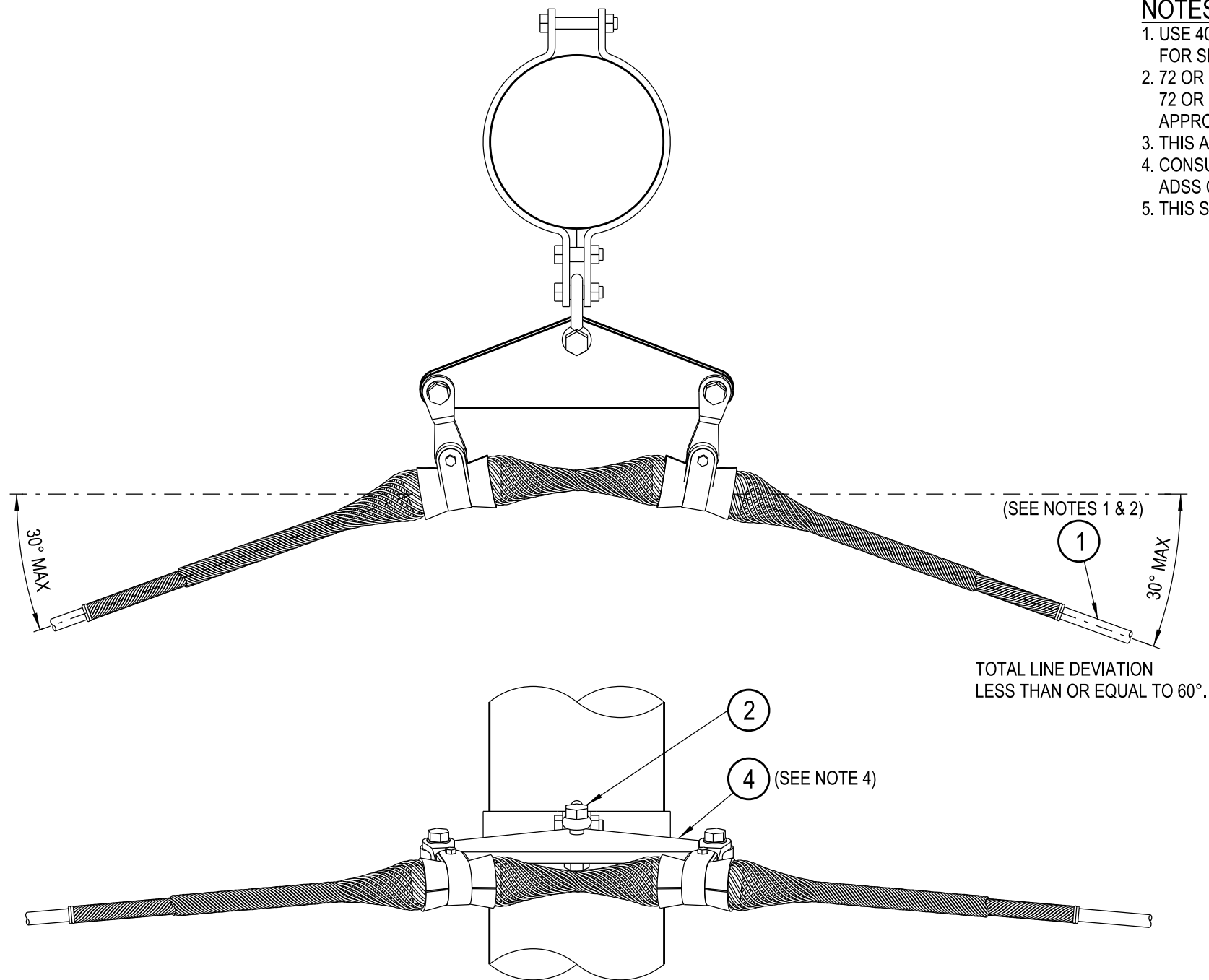
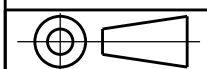


NOTES :

1. USE 400m MAXIMUM SPAN LENGTH ADSS CABLE WITH THIS CONSTRUCTION.
FOR SPAN LENGTHS IN EXCESS OF 400m, APPROVAL MUST BE OBTAINED FROM SECONDARY SYSTEMS.
2. 72 OR 144 CORE STANDARD ADSS OPTICAL FIBRE CABLE IS TO BE USED UNDER NORMAL OPERATING CONDITIONS.
72 OR 144 CORE ANTI-TRACKING ADSS OPTICAL FIBRE CABLE IS TO BE USED WITH SECONDARY SYSTEMS
APPROVAL IN HIGH POLLUTION ENVIRONMENTS & IN LOCATIONS WHERE A HIGH ELECTRIC FIELD EXISTS.
3. THIS ARRANGEMENT IS FOR SUSPENSION CONSTRUCTIONS WITH A LINE DEVIATION ANGLE BETWEEN 30° AND 60°.
4. CONSULT WITH PLP FOR SPECIFIC DOUBLE YOKE ADSS SUSPENSION ASSEMBLY COMPONENT DETAILS BASED ON
ADSS CABLE SPECIFICATION.
5. THIS STANDARD CONSTRUCTION IS ONLY TO BE USED WITH SECONDARY SYSTEMS APPROVAL.



4	CLAMP - SUSPENSION, DOUBLE, YOKE ASSEMBLY (SEE NOTE 4)		1
3	BAND - POLE, 3 BOLT (TO SUIT POLE)	507741	1
2	SHACKLE - BOW, 70kN, REF.70/S, A.S.1154.2 (S/C: 30890)		1
1	CABLE - OPTICAL FIBRE, 144 CORE, ADSS, ANTI-TRACKING, 400m (SEE NOTES 1 & 2)		A/R
	CABLE - OPTICAL FIBRE, 144 CORE, ADSS, STANDARD, 400m (SEE NOTES 1 & 2)		
	CABLE - OPTICAL FIBRE, 72 CORE, ADSS, ANTI-TRACKING, 400m (SEE NOTES 1 & 2)		
	CABLE - OPTICAL FIBRE, 72 CORE, ADSS, STANDARD, 400m (SEE NOTES 1 & 2)		
ITEM	DESCRIPTION	DRG. No.	QTY



CAD DRAWING DO NOT MANUALLY AMEND A M E N D M E N T S	DWN: PATRICIA RIOS	APP'D by: GLENN FORD
	CHKD: ALFRED FREESTONE	
1	DATE: 02/04/2019 NOTES & MATERIAL LIST AMENDED.	

NETWORK STANDARD

145 NEWCASTLE RD WALLSEND,
NSW 2287

SCALE	1:7.5	STANDARD CONSTRUCTION ADSS FIBRE OPTIC CABLE RETROFIT ON CONCRETE POLE - ADSS SUSPENSION CONSTRUCTION 30° TO 60° LINE DEVIATION ANGLE WITH SPAN LENGTHS BETWEEN 350m AND 600m			
DESIGNED	PHILLIP JONES				
DRAWN	PATRICIA RIOS				
CHECKED	ALFRED FREESTONE				
APPROVED	GLENN FORD				
DATE	17/11/14				
PROJECT NUMBER	STD	SIZE	DRAWING No	SHEET	AMD
PROJTRAK NUMBER	-	A3	234584	01	1