

A

B

C

D

E

F

A

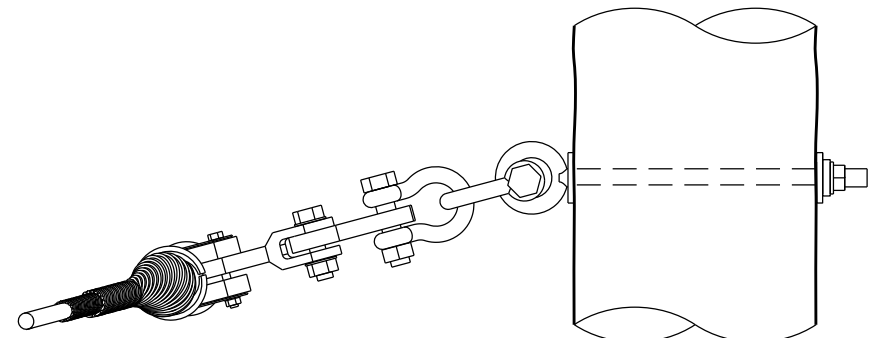
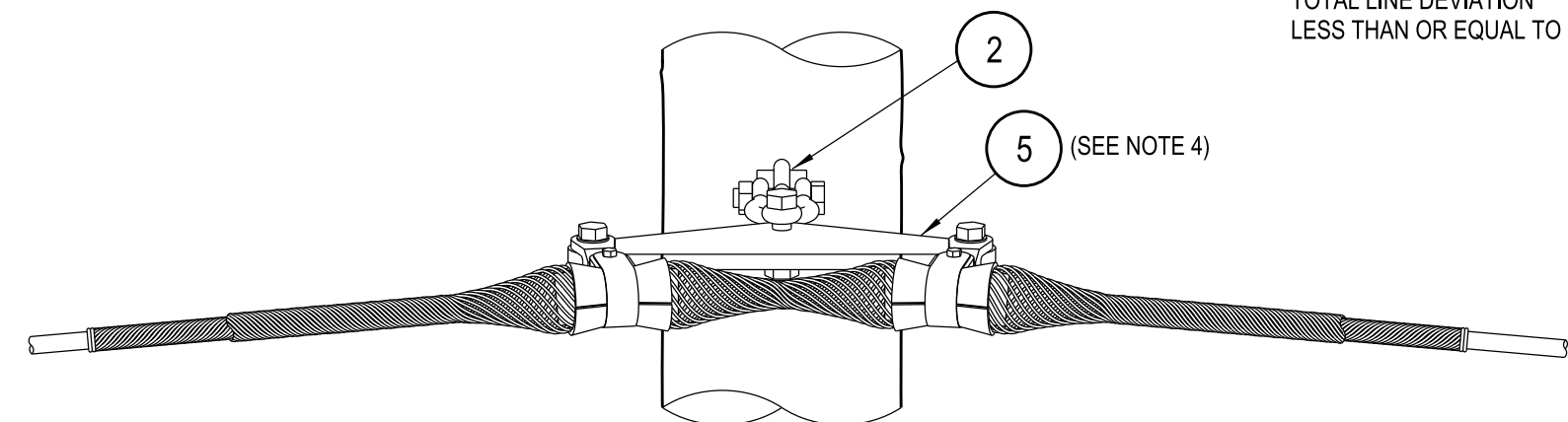
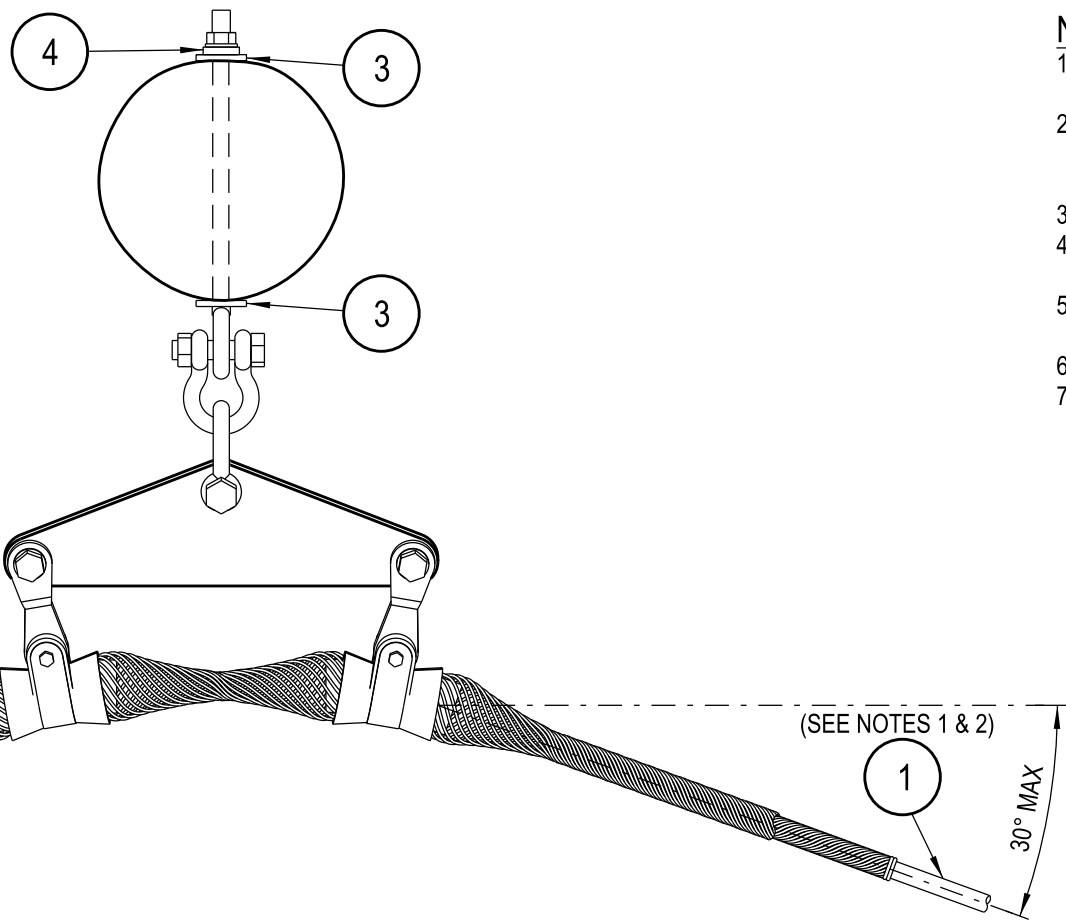
B

C

D

E

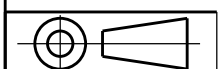
F



**NOTES :**

1. USE 400m MAXIMUM SPAN LENGTH ADSS CABLE WITH THIS CONSTRUCTION. FOR SPAN LENGTHS IN EXCESS OF 400m, APPROVAL MUST BE OBTAINED FROM SECONDARY SYSTEMS.
2. 72 OR 144 CORE STANDARD ADSS OPTICAL FIBRE CABLE IS TO BE USED UNDER NORMAL OPERATING CONDITIONS. 72 OR 144 CORE ANTI-TRACKING ADSS OPTICAL FIBRE CABLE IS TO BE USED WITH SECONDARY SYSTEMS APPROVAL IN HIGH POLLUTION ENVIRONMENTS & IN LOCATIONS WHERE A HIGH ELECTRIC FIELD EXISTS.
3. THIS ARRANGEMENT IS FOR SUSPENSION CONSTRUCTIONS WITH A LINE DEVIATION ANGLE BETWEEN 30° AND 60°.
4. CONSULT WITH PLP FOR SPECIFIC DOUBLE YOKE ADSS SUSPENSION ASSEMBLY COMPONENT DETAILS BASED ON ADSS CABLE SPECIFICATION.
5. POLES SHALL BE DRILLED, SCARFED AND DRESSED ON SITE. DRILLING AND SCARFING TO BE TREATED WITH APPROVED PRESERVATIVES.
6. ALL BOLTS PASSING THROUGH TIMBER ARE TO BE COATED WITH GRAPHITE GREASE.
7. THIS STANDARD CONSTRUCTION IS ONLY TO BE USED WITH SECONDARY SYSTEMS APPROVAL.

5	CLAMP - SUSPENSION, DOUBLE, YOKE ASSEMBLY (SEE NOTE 4)		1
4	WASHER - CONICAL, M16, GALVANISED	518082	1
3	WASHER - SQUARE, 50x50x6mm, GALVANISED (Ø18mm HOLE)	518081	2
2	EYEBOLT - M16, GALVANISED (PLP PART No. GEBR-16*) (* LENGTH TO SUIT POLE)		1
1	CABLE - OPTICAL FIBRE, 144 CORE, ADSS, ANTI-TRACKING, 400m (SEE NOTES 1 & 2)		A/R
	CABLE - OPTICAL FIBRE, 144 CORE, ADSS, STANDARD, 400m (SEE NOTES 1 & 2)		
	CABLE - OPTICAL FIBRE, 72 CORE, ADSS, ANTI-TRACKING, 400m (SEE NOTES 1 & 2)		
	CABLE - OPTICAL FIBRE, 72 CORE, ADSS, STANDARD, 400m (SEE NOTES 1 & 2)		
ITEM	DESCRIPTION	DRG. No.	QTY



CAD DRAWING  
DO NOT MANUALLY AMEND  
A M E N D M E N T S  
DWN: PATRICIA RIOS  
CHKD: ALFRED FREESTONE  
DATE: 02/04/2019  
NOTES & MATERIAL LIST  
AMENDED.  
APP'D by: GLENN FORD

1

NETWORK STANDARD  
  
 145 NEWCASTLE RD WALLSEND,  
 NSW 2287

SCALE	1:7.5
DESIGNED	PHILLIP JONES
DRAWN	GARY HUGHES
CHECKED	ALFRED FREESTONE
APPROVED	GLENN FORD
DATE	12/11/14
PROJECT NUMBER	STD
PROJTRAK NUMBER	-

STANDARD CONSTRUCTION  
 ADSS FIBRE OPTIC CABLE  
 TIMBER POLE - ADSS SUSPENSION CONSTRUCTION  
 30° TO 60° LINE DEVIATION ANGLE WITH  
 SPAN LENGTHS BETWEEN 350m AND 600m

SIZE	DRAWING No	SHEET	AMD
A3	234573	01	1