

A

B

C

D

E

F

A

B

C

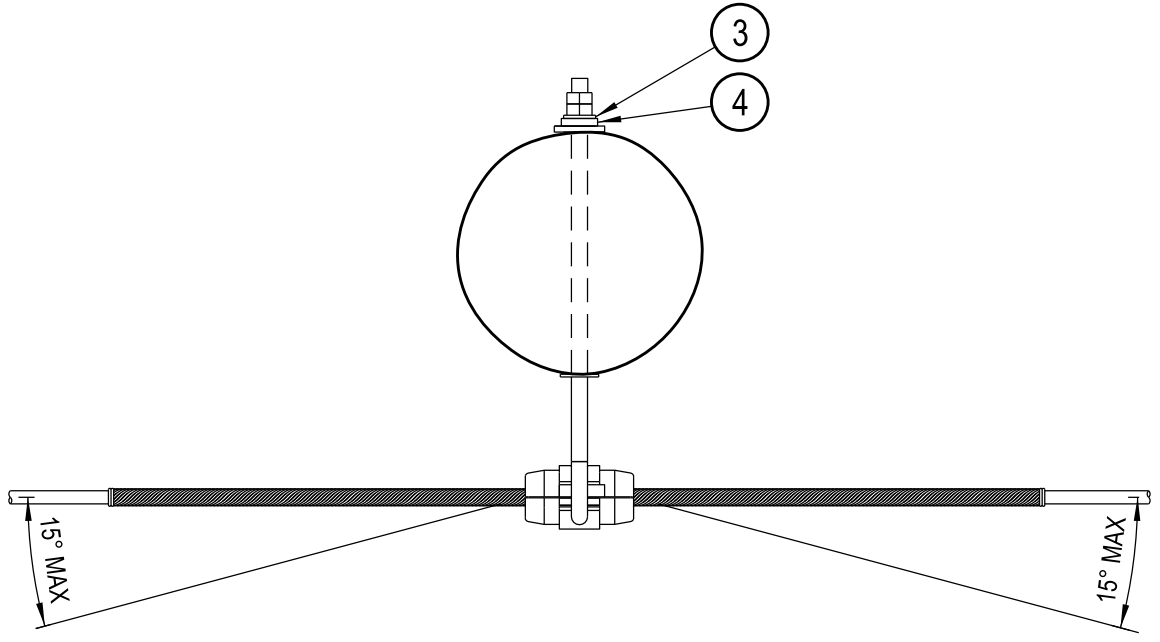
D

E

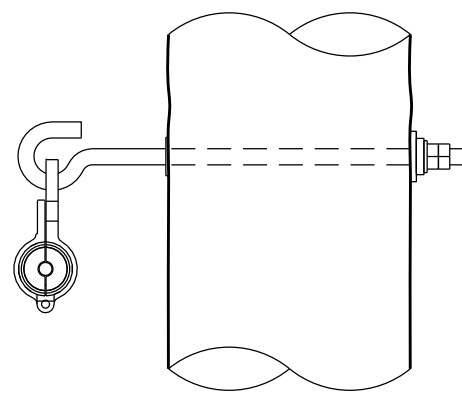
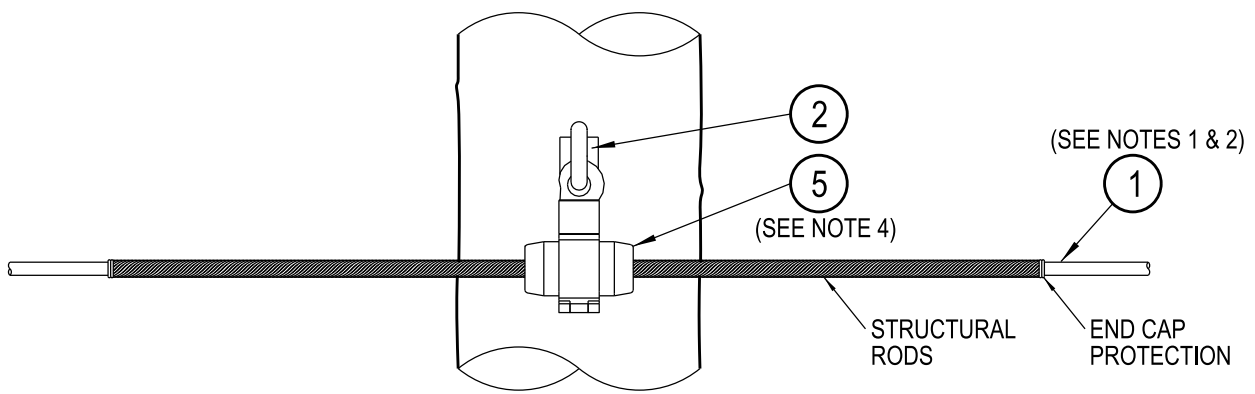
F

NOTES :

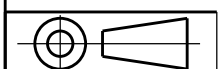
1. USE 400m MAXIMUM SPAN LENGTH ADSS CABLE WITH THIS CONSTRUCTION.
2. 72 OR 144 CORE STANDARD ADSS OPTICAL FIBRE CABLE IS TO BE USED UNDER NORMAL OPERATING CONDITIONS. 72 OR 144 CORE ANTI-TRACKING ADSS OPTICAL FIBRE CABLE IS TO BE USED WITH SECONDARY SYSTEMS APPROVAL IN HIGH POLLUTION ENVIRONMENTS & IN LOCATIONS WHERE A HIGH ELECTRIC FIELD EXISTS.
3. THE MAXIMUM LINE DEVIATION ANGLE TO BE CONSTRUCTED ON THIS ARRANGEMENT IS 30°.
4. FIBERLIGN DIELECTRIC SUSPENSION CLAMP OFDSA-138146 IS TO BE USED ON THE 72 CORE STANDARD & 144 CORE ANTI-TRACKING ADSS OPTICAL FIBRE 400m MAXIMUM SPAN LENGTH CABLES. FIBERLIGN DIELECTRIC SUSPENSION CLAMP OFDSA-130137 IS TO BE USED ON THE 72 CORE ANTI-TRACKING ADSS OPTICAL FIBRE 400m MAXIMUM SPAN LENGTH CABLE. FIBERLIGN DIELECTRIC SUSPENSION CLAMP OFDSA-190199 IS TO BE USED ON THE 144 CORE STANDARD ADSS OPTICAL FIBRE 400m MAXIMUM SPAN LENGTH CABLE.
5. POLES SHALL BE DRILLED, SCARFED AND DRESSED ON SITE. DRILLING AND SCARFING TO BE TREATED WITH APPROVED PRESERVATIVES.
6. ALL BOLTS PASSING THROUGH TIMBER ARE TO BE COATED WITH GRAPHITE GREASE.
7. THIS STANDARD CONSTRUCTION IS ONLY TO BE USED WITH SECONDARY SYSTEMS APPROVAL.



TOTAL LINE DEVIATION LESS THAN OR EQUAL TO 30°.



5	CLAMP - SUSPENSION, FIBERLIGN DIELECTRIC (PLP PART No. OFDSA-190199) (SEE NOTE 4)	1	
	CLAMP - SUSPENSION, FIBERLIGN DIELECTRIC (PLP PART No. OFDSA-130137) (SEE NOTE 4)		
	CLAMP - SUSPENSION, FIBERLIGN DIELECTRIC (PLP PART No. OFDSA-138146) (SEE NOTE 4)		
4	WASHER - CONICAL, M16, GALVANISED	518082	1
3	WASHER - FLAT, M16, GALVANISED	518081	1
2	BOLT - M16, SAFETY HOOK (PLP PART No. GSHB-16*) (* LENGTH TO SUIT POLE)		1
1	CABLE - OPTICAL FIBRE, 144 CORE, ADSS, ANTI-TRACKING, 400m (SEE NOTES 1 & 2)	A/R	
	CABLE - OPTICAL FIBRE, 144 CORE, ADSS, STANDARD, 400m (SEE NOTES 1 & 2)		
	CABLE - OPTICAL FIBRE, 72 CORE, ADSS, ANTI-TRACKING, 400m (SEE NOTES 1 & 2)		
	CABLE - OPTICAL FIBRE, 72 CORE, ADSS, STANDARD, 400m (SEE NOTES 1 & 2)		
ITEM	DESCRIPTION	DRG. No.	QTY



CAD DRAWING DO NOT MANUALLY AMEND A M E N D M E N T S	DWN: PATRICIA RIOS
	CHKD: ALFRED FREESTONE
DATE: 02/04/2019	NOTES & MATERIAL LIST AMENDED.
APP'D by: GLENN FORD	

NETWORK STANDARD

145 NEWCASTLE RD WALLSEND, NSW 2287

SCALE	1:7.5	STANDARD CONSTRUCTION ADSS FIBRE OPTIC CABLE TIMBER POLE - ADSS SUSPENSION CONSTRUCTION 30 DEG MAXIMUM LINE DEVIATION WITH SPAN LENGTHS BETWEEN 150m AND 350m			
DESIGNED	PHILLIP JONES				
DRAWN	GARY HUGHES				
CHECKED	ALFRED FREESTONE				
APPROVED	GLENN FORD				
DATE	12/11/14				
PROJECT NUMBER	STD	SIZE	DRAWING No	SHEET	AMD
PROJTRAK NUMBER	-	A3	234570	01	1