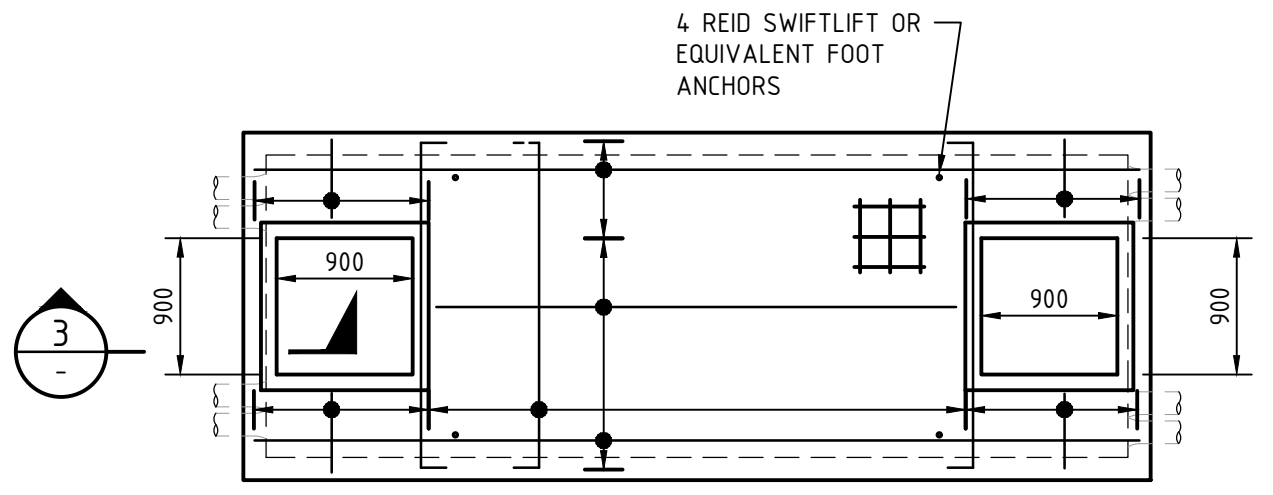


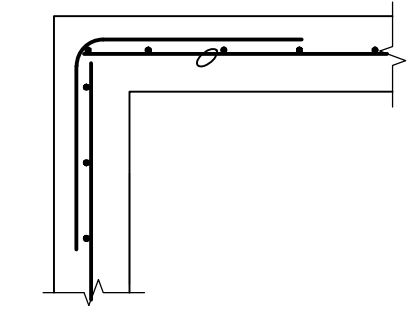
PLAN AT PIT BASE
SLAB

SCALE 1:50
WEIGHT OF PIT UNIT - ? TONNES
(LIFTING REQUIRES A SPREADER BEAM)

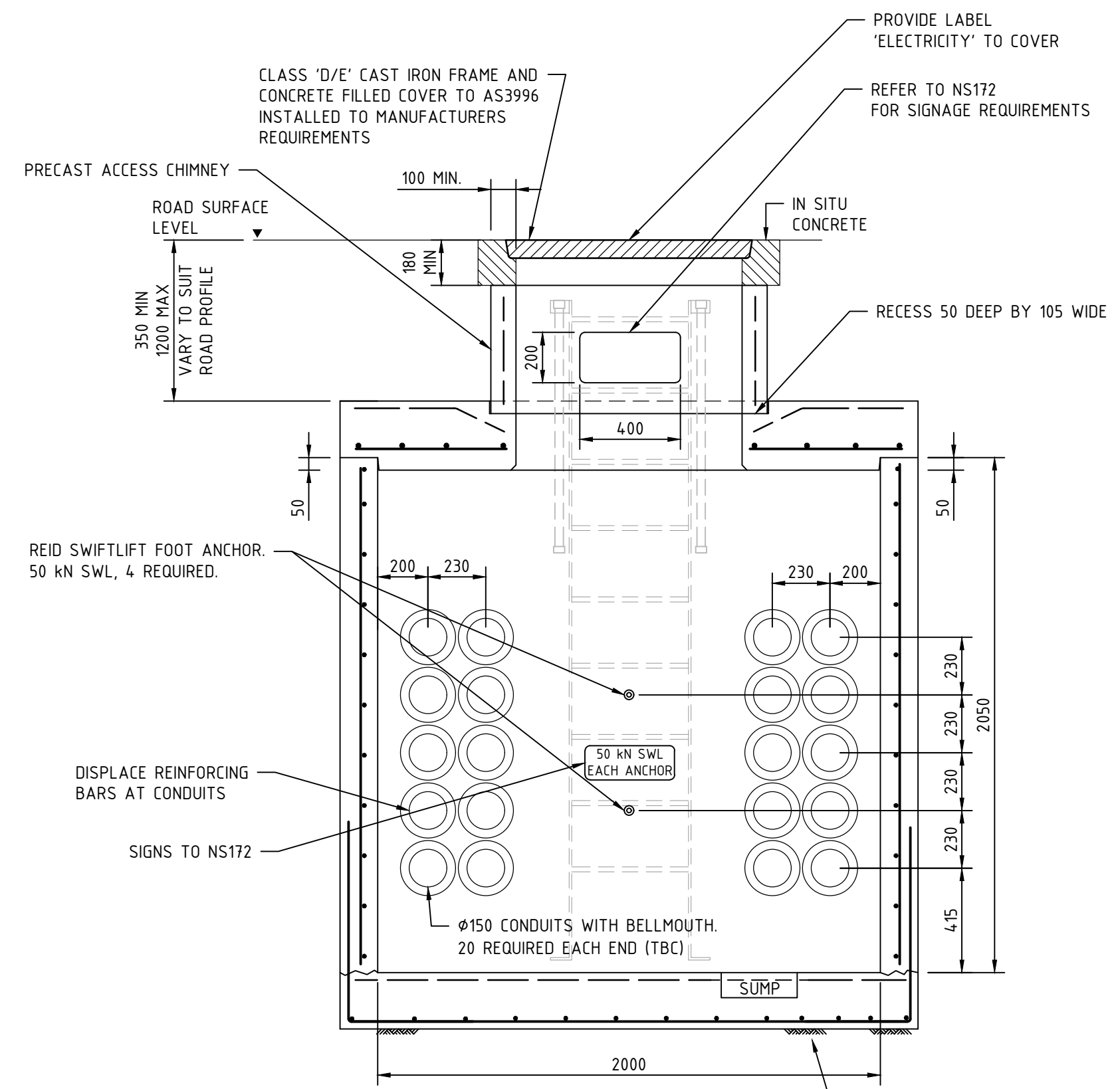


PLAN AT PIT ROOF

SCALE 1:50
WEIGHT OF ROOF UNIT - ? TONNES

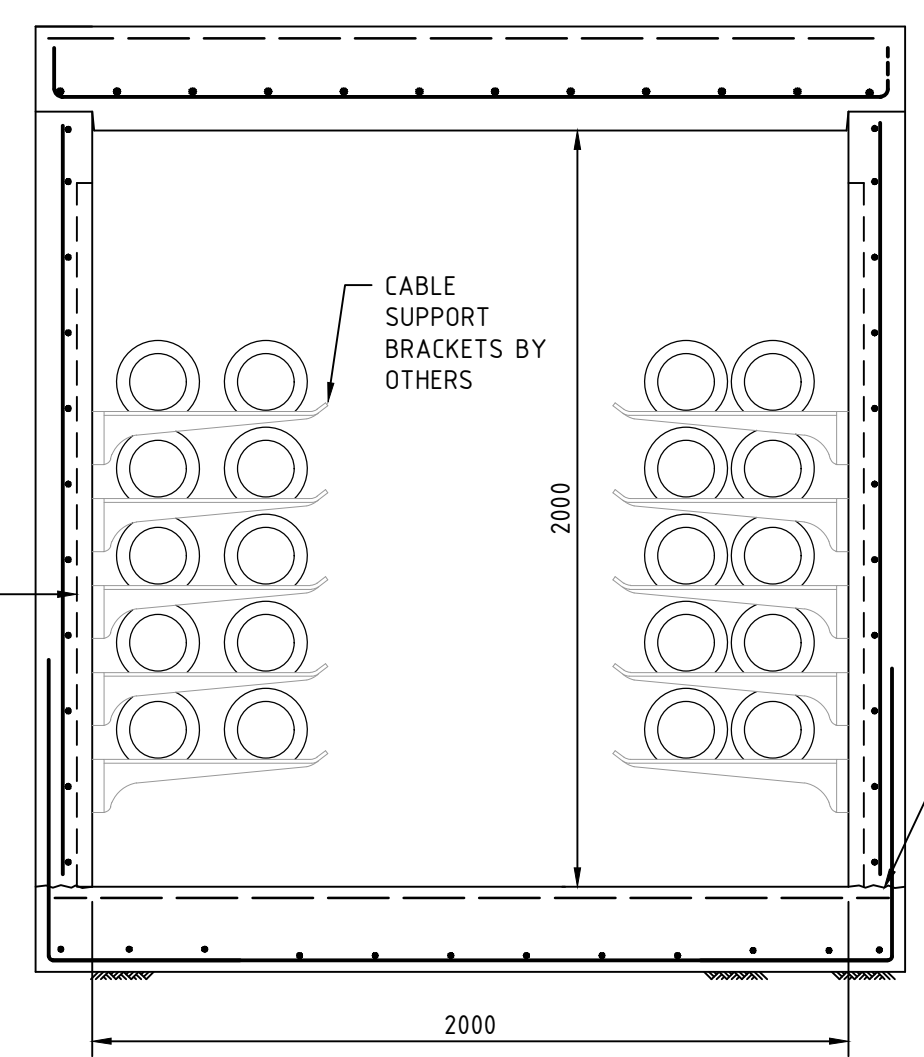


TYPICAL WALL PLAN AT CORNER
SCALE 1:20



SECTION 1
SCALE 1:20

REID SWIFTLIFT FOOT ANCHOR 50 kN SWL, 4 REQUIRED.
DISPLACE REINFORCING BARS AT CONDUITS
SIGNS TO NS172
50 kN SWL EACH ANCHOR
Ø150 CONDUITS WITH BELLMOUTH. 20 REQUIRED EACH END (TBC)



SECTION 2
SCALE 1:20

PIT TO BE INSTALLED ON LEVEL BASE

DO NOT BACKFILL AROUND WALLS OF PIT UNTIL ROOF SLAB IS IN POSITION

DESIGN LOADS	
SM1600 LOADS TO AS5100	
FULL DEPTH HYDROSTATIC AND BUOYANCY LOADS	

CAD DRAWING
DO NOT MANUALLY AMEND
AMENDMENTS
0 ISSUED FOR INFORMATION

FOR INFORMATION ONLY



570 GEORGE STREET
SYDNEY NSW 2000

SCALE	AS SHOWN
DESIGNED	-
DRAWN	-
CHECKED	-
APPROVED	-
DATE	19-06-18
TRIM REF	-
PROJECT NUMBER	-

CABLE PIT (PRECAST)
TYPICAL INDICATIVE DETAILS

DRAWING No 249060 SHEET 1 AMD 0 SIZE A1