

NON MAGNETIC  
STAINLESS STEEL  
CABLE TIE

**TYPE 'A'**  
BOARDS AT TOP AND SIDES ONLY

**TYPE 'A1'**  
BOARDS AT TOP AND SIDES ONLY

**TYPE 'B'**  
BOARDS ALL ROUND  
(TOP BOARD SITTING ON CLAMP)

**TYPE 'B1'**  
BOARDS ALL ROUND  
(TOP BOARD NOT SITTING ON CLAMP)

**TYPE 'C'**  
BOARDS AT BOTTOM AND SIDES ONLY

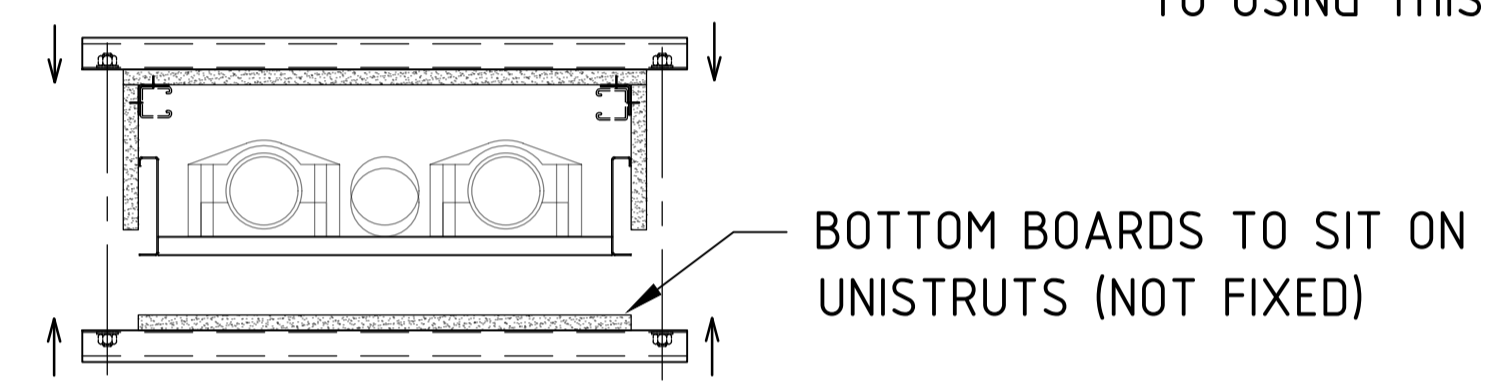
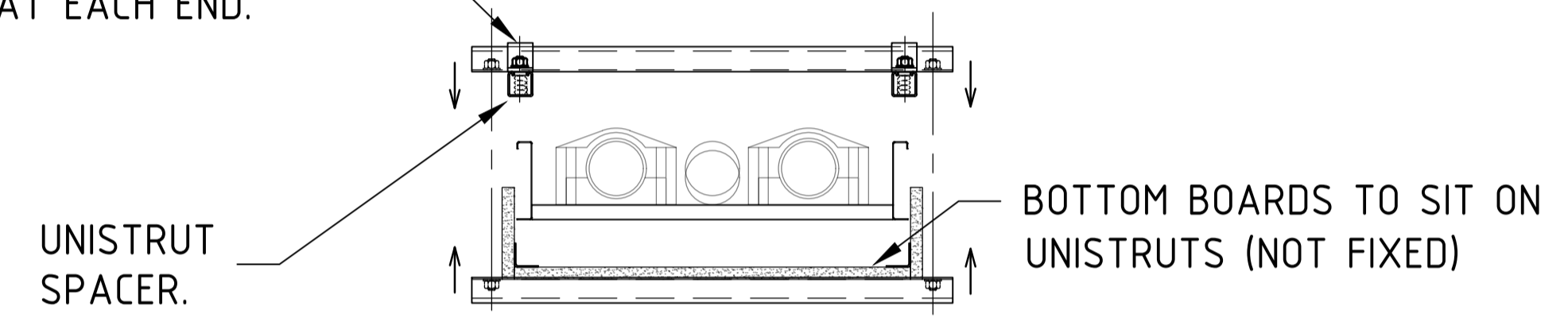
## FIRE RATED BOARD FIXING DETAILS

SCALE 1:20

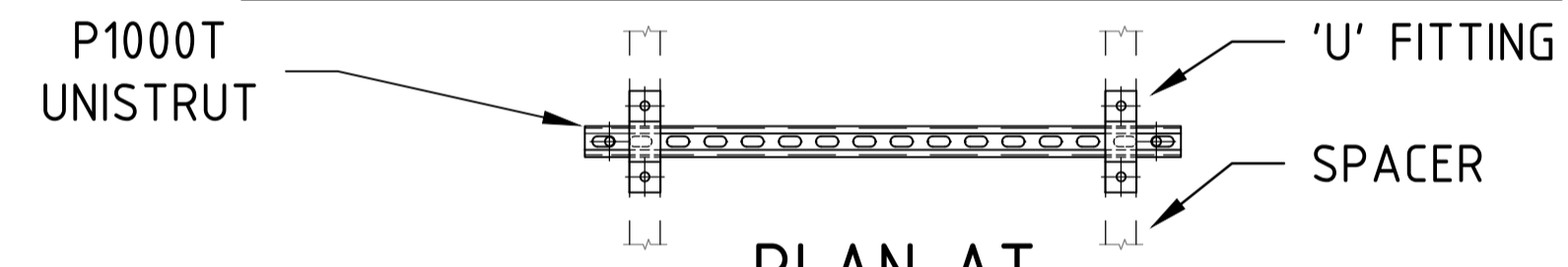
USE 20mm THICK PROMATECT 'L' FIRE RATED BOARDS  
 TYPES A, A1, B AND B1 - TOP BOARD CONNECTION TO SIDE BOARDS  
 TYPE C - BOTTOM BOARD CONNECTION TO SIDE BOARDS)  
 USE 40 x 40 x 2.5 DURAGAL ANGLE. (LENGTH OF BOARD) SCREW FIX LEGS  
 TO BOARDS WITH 6 GAUGE (GALV) SCREWS AT 200 MAX. CTS. TYPICAL  
 REFER TO GENERAL ARRANGEMENT DETAIL FOR UNISTRUT FIXING DETAILS

**SAFETY IN DESIGN NOTES**  
 THIS IS A STANDARD DRAWING SO SITE  
 SPECIFIC SAFETY ISSUES HAVE NOT BEEN  
 CONSIDERED.  
 SITE SPECIFIC ISSUES SHALL BE  
 CONSIDERED AND DOCUMENTED BY THE  
 PROJECT DESIGN TEAM.  
 REFER TO THE SITE SPECIFIC SAFETY IN  
 DESIGN REPORT FOR THE PROJECT PRIOR  
 TO USING THIS DRAWING.

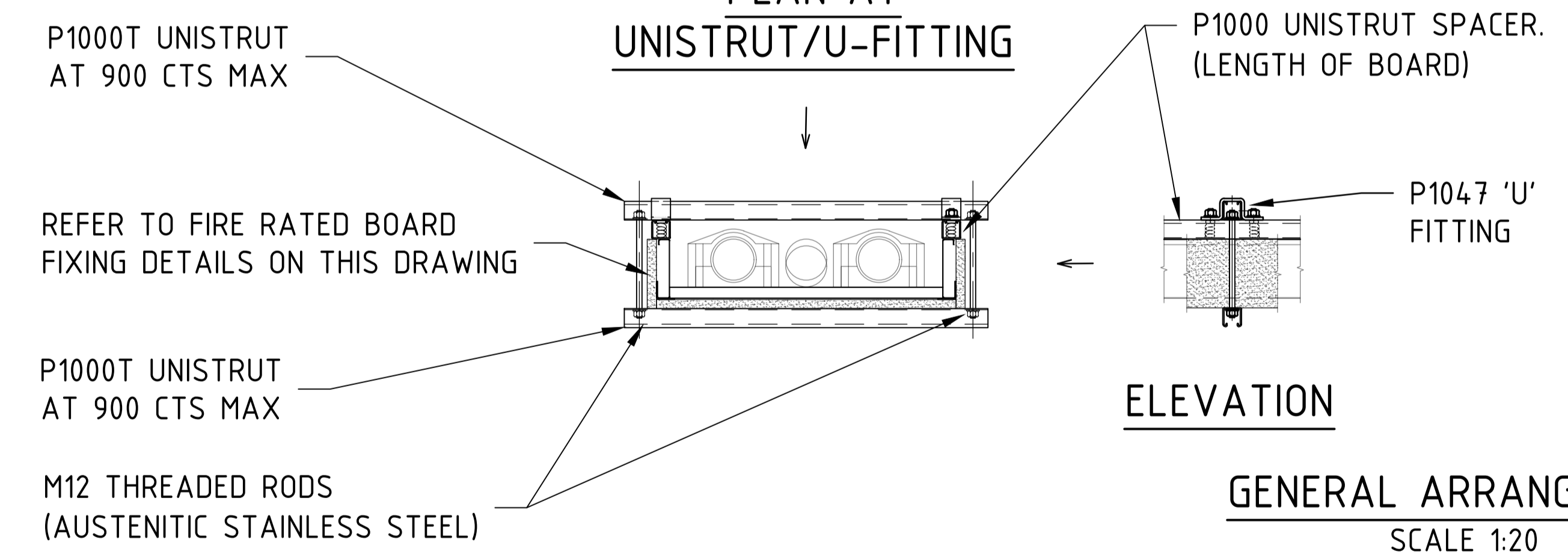
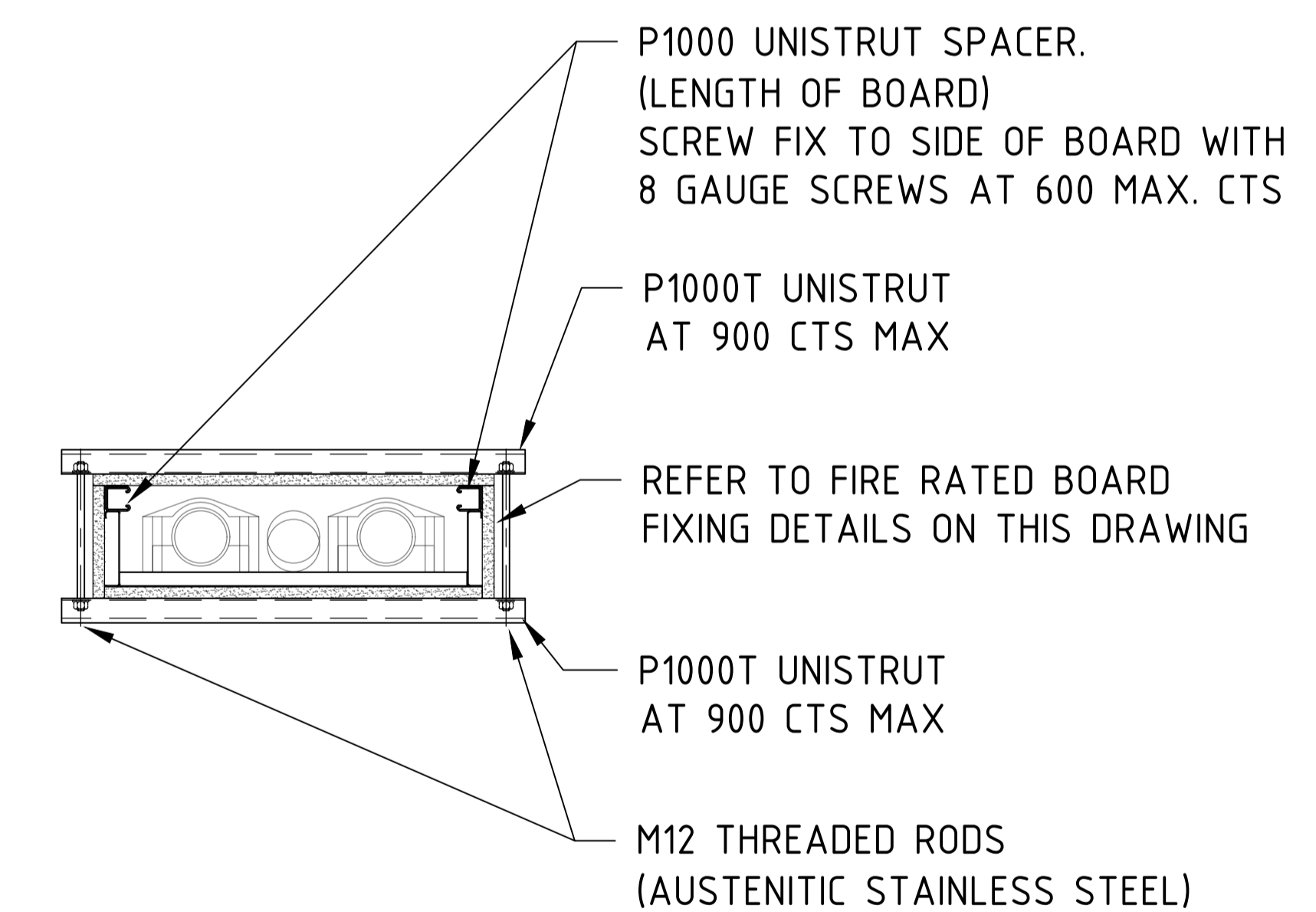
FIX 'U' FITTING TO UNISTRUT  
 SPACER WITH STANDARD SPRING  
 NUT AND BOLT AT EACH END.



### FIRE RATED BOARD ASSEMBLY - TYPE C



### FIRE RATED BOARD ASSEMBLY - TYPES A, A1, B AND B1



### ELEVATION

### GENERAL ARRANGEMENT

SCALE 1:20

(OMIT TOP OR BOTTOM BOARD AS REQUIRED)

CAD DRAWING DO NOT MANUALLY AMEND AMENDMENTS	NOTE: FIRE PROTECTION DETAILS SHOWN HEREIN ARE INTENDED TO REDUCE THE RISK OF FIRE SPREAD IN THE EVENT OF A CATASTROPHIC CABLE JOINT FAILURE. HOWEVER THERE IS NO GUARANTEE THAT THE RISK OF FIRE DAMAGE TO ADJACENT CABLES WILL BE ELIMINATED.	
	24-28 Campbell Street SYDNEY NSW 2000	

24-28 Campbell Street  
SYDNEY NSW 2000

ISSUED FOR  
**CONSTRUCTION**

SCALE	AS SHOWN
DESIGNED	TASS VELONAS
DRAWN	JOSEPH ABDILLA
CHECKED	JOE METTI
APPROVED	KATINA GALLEN
DATE	06.07.20
TRIM REF	2019/26353
PROJECT NUMBER	SJ-00313

<b>CABLE BLANKET FIRE PROTECTION POWER AND SECONDARY CABLES NEAR CABLE JOINTS SECTION AT CABLES ON TRAYS SHEET 5</b>			
SIZE	DRAWING No	SHEET	AMD
<b>A3</b>	<b>252111</b>	<b>1</b>	<b>0</b>