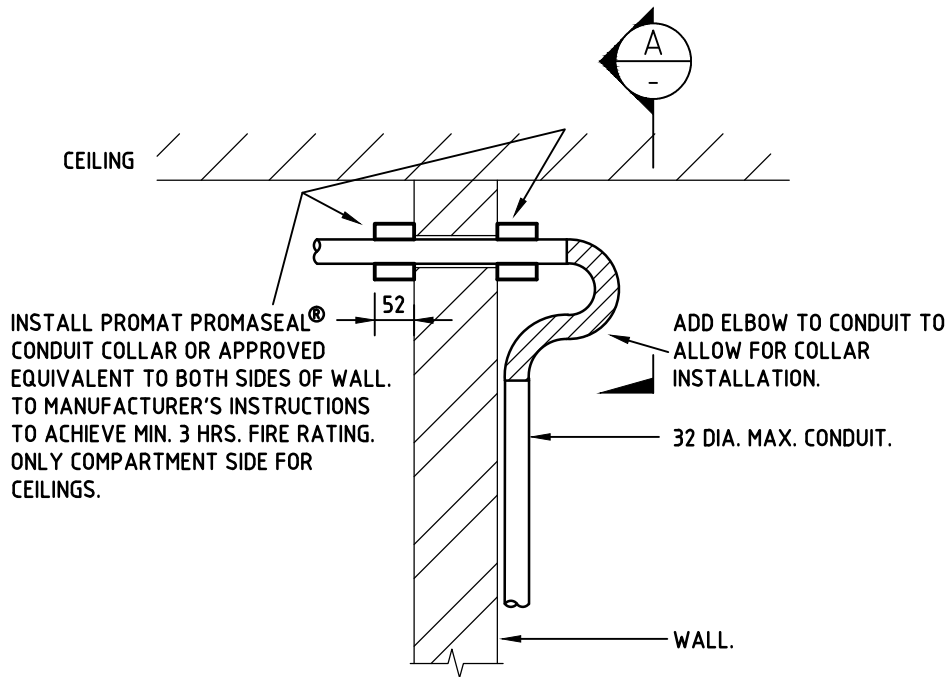
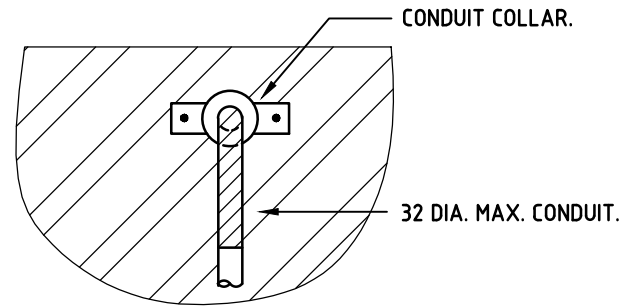


NS 171 DETAIL - APPENDIX B



TYPICAL SECTION



SECTION 'A'

NOTES:

1. THIS DETAIL APPLIES TO CONDUITS RUNNING THROUGH WALLS OR CEILINGS.
2. RE-LOCATE EXISTING CONDUIT PENETRATION AS REQUIRED TO FACILITATE COLLAR. FILL OLD HOLE WITH 3M MOULDABLE PUTTY OR APPROVED EQUIVALENT.
3. INSTALL COLLARS TO MANUFACTURER'S INSTRUCTION FOR 3 HRS. FIRE RATING.

CAD DRAWING
DO NOT MANUALLY AMEND
AMENDMENTS
1. ISSUED NS 171
INCLUSION. JA 07.01.04
2. NEW AUSGRID BORDER &
LOGO ADDED. RLALALAA 17.10.2013
APPROVED TLAMPARD



| | |
|----------|-------------|
| SCALE | 1:10 |
| DESIGNED | |
| DRAWN | JA |
| CHECKED | JW |
| APPROVED | M-DESIGN JW |
| DATE | 12/09/2003 |

**CONDUIT COLLAR
FOR SMALL DIAMETER
CONDUITS.**

| | |
|-------------|---------------|
| PROJECT No. | ES 102-9-1 |
| PRJTRK No. | |
| Sheet | 1 |
| A4 | 125652 |
| | 2 |