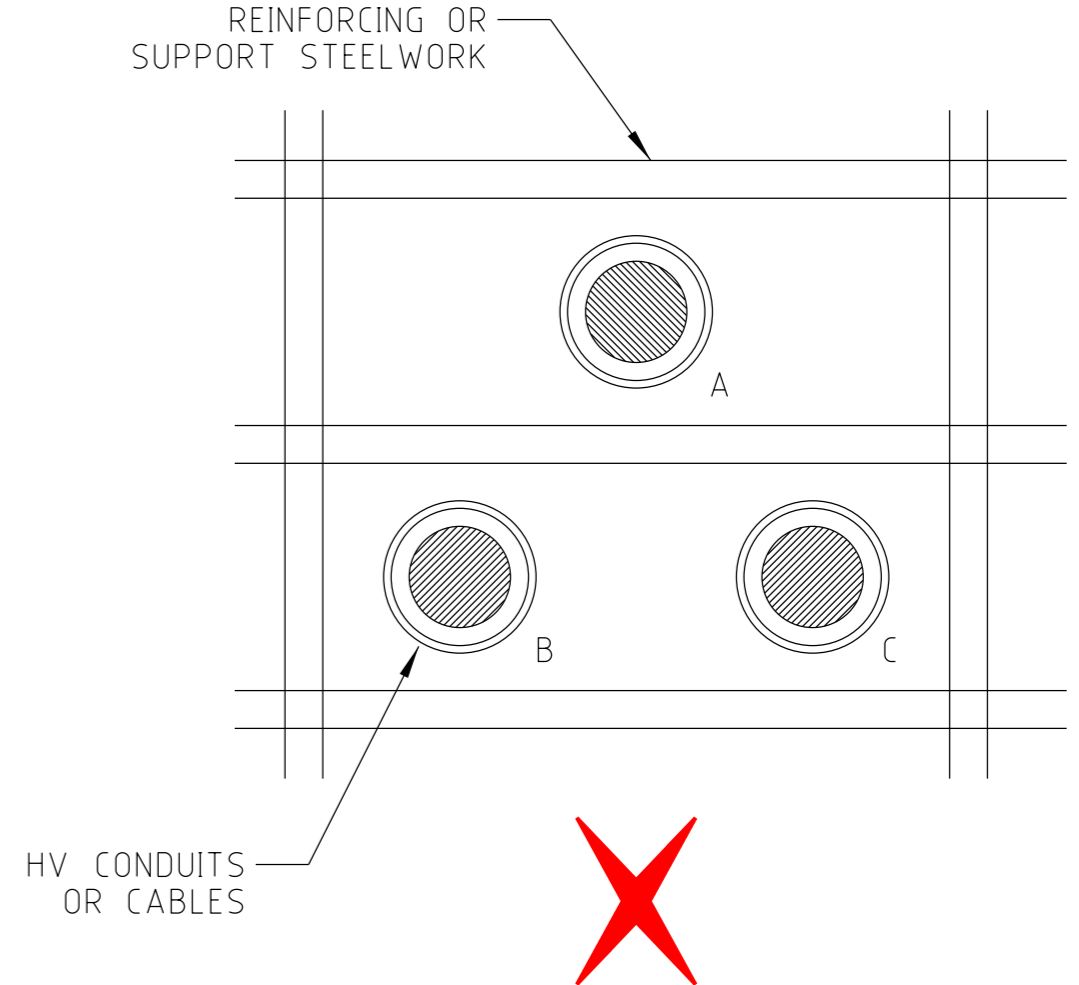
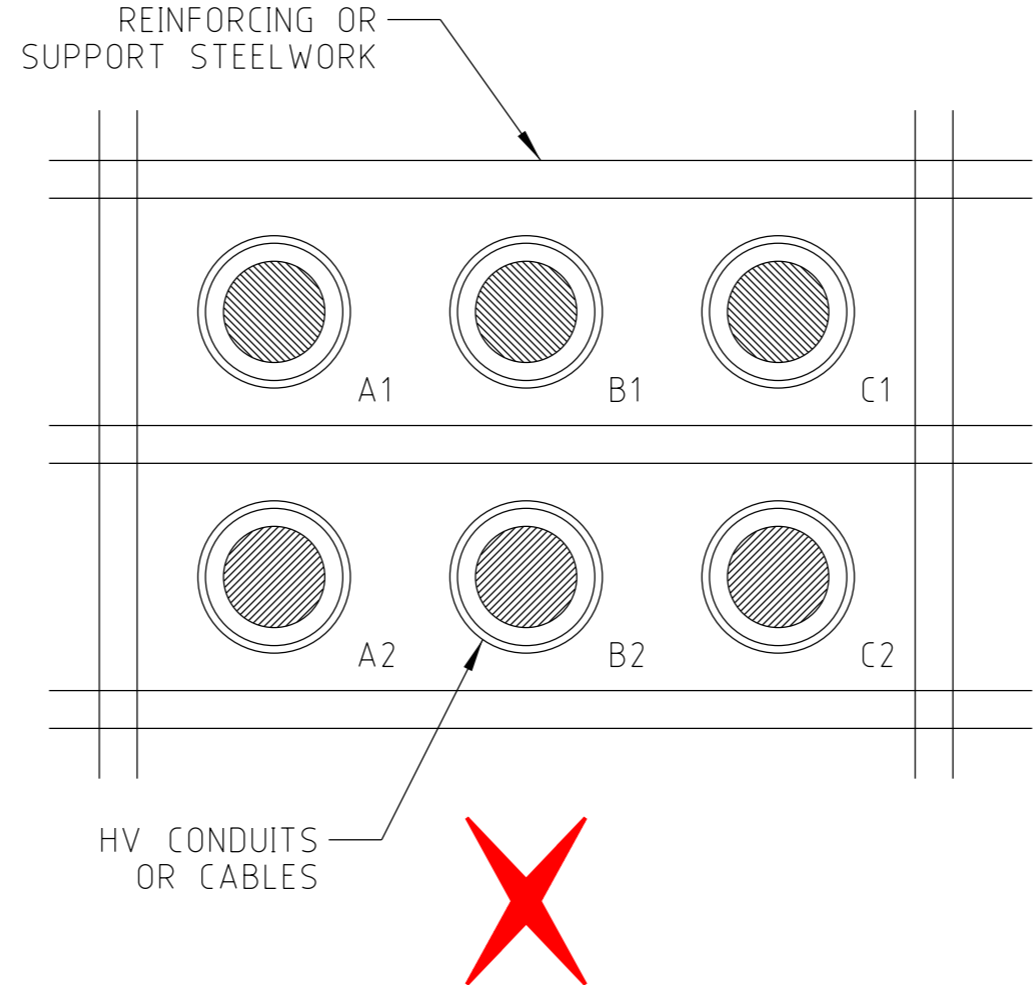
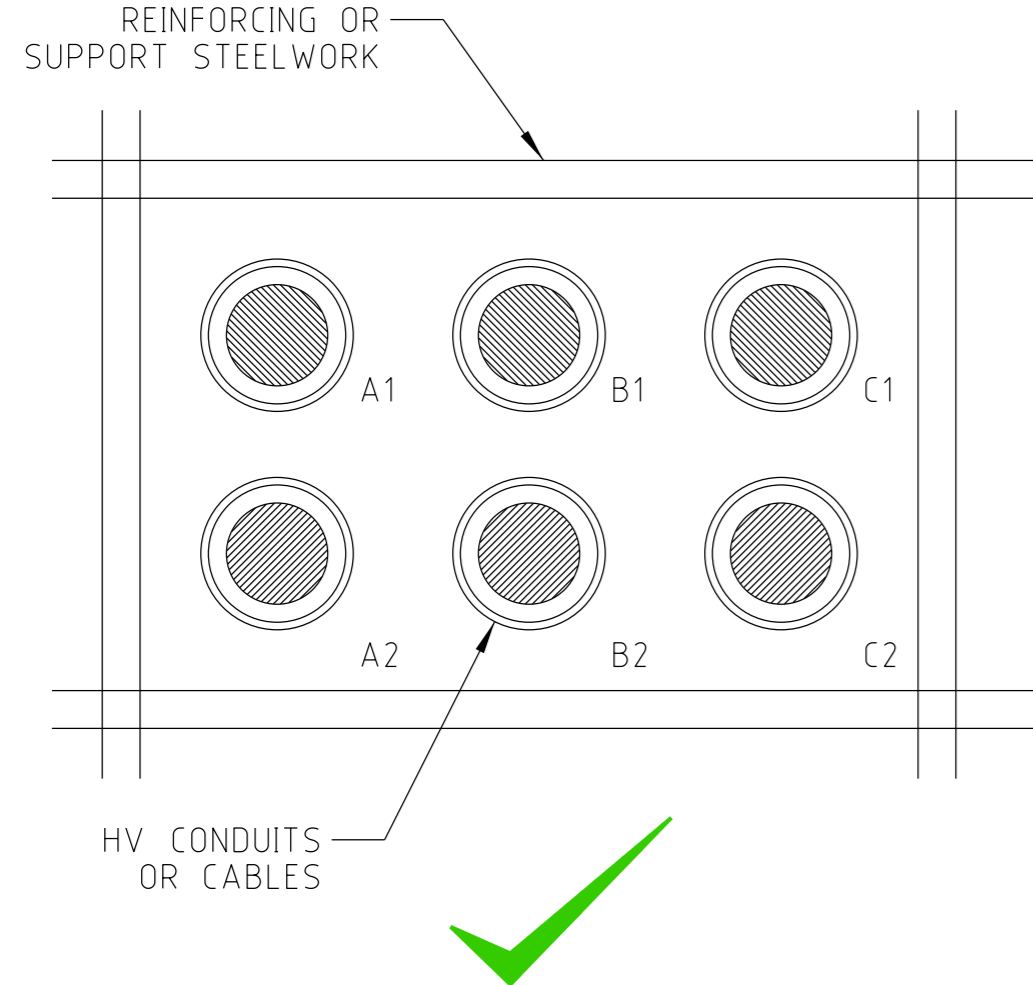


LEGEND

- WRONG - DO NOT INSTALL IN THIS CONFIGURATION
- CORRECT



- UNLESS APPROVED IN WRITING BY BY THE ELECTRICAL DESIGN ENGINEER.

CONSTRUCTION ISSUE

CAD DRAWING DO NOT MANUALLY AMEND A M E N D M E N T S
DWN: SPENCER PASCOE
CHKD: SPENCER PASCOE
APP'D: SPENCER PASCOE
DATE: 17/09/2015
AUSGRID TITLEBLOCK

1	2	3	4	5	6	7	8
ASSOCIATED DRAWINGS							

Ausgrid

145 NEWCASTLE RD WALLSEND,
NSW 2287

SCALE	NTS
DESIGNED	COREY NICHOLAS
DRAWN	SPENCER PASCOE
CHECKED	DENNIS COURTNEY
APPROVED	ROSS HUGHES
DATE	22/06/09
PROJECT NUMBER	STD
PROJTRAK NUMBER	

STANDARD CONSTRUCTION GUIDELINES FOR INSTALLATION OF METAL REINFORCING IN FOOTINGS, CONCRETE WALLS & CABLE SUPPORT STEELWORK			
SIZE	DRAWING No	SHEET	AMD
A2	202565	01	1