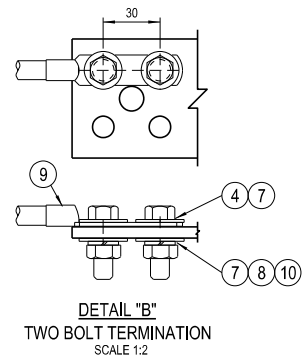
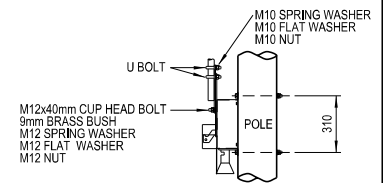
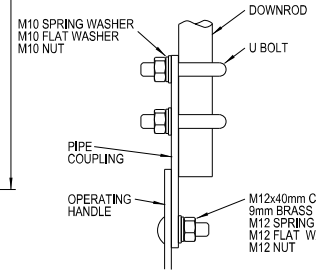


- NOTES:**
1. A MINIMUM DISTANCE OF 2500 BETWEEN HIGH & LOW VOLTAGE CONDUCTORS IS TO BE MAINTAINED AT ALL TIMES TO ALLOW FOR LIVE LINE WORKING PROCEDURES.
 2. THE DESIGNER IS TO DETERMINE THE POLE DIAMETER TO ENSURE ELECTRICAL CLEARANCES TO CENTRE PHASE SWITCHING MECHANISM CAN BE MAINTAINED. REFER TO DRG : 225814 FOR ALTERNATE ABS IF REQUIRED.
 3. CLEARANCES :
SOURCE - A.S.2067 (33kV)
PHASE TO PHASE - 440mm
PHASE TO EARTH - 380mm
 4. INSTALL AIRBREAK SWITCH ACCORDING TO MANUFACTURER'S INSTRUCTIONS.
 5. OPERATING MECHANISM MUST BE INSTALLED ON THE FOOTPATH SIDE OF THE POLE. INSTALLATION ON THE ROAD SIDE OF THE POLE IS NOT ACCEPTABLE.
 6. EYE COACH SCREW TO BE INSTALLED 2m ABOVE GROUND LEVEL ON FOOTPATH SIDE OF POLE FOR ATTACHMENT OF OPERATOR'S 'DANGER DO NOT OPERATE' TAG.

| DISCONNECTOR RATINGS | | | |
|-------------------------|-----|---------|----|
| VOLTAGE | U | 36 | kV |
| LMV | UL | 170/200 | kV |
| NORMAL CURRENT | In | 630/800 | A |
| FREQUENCY | - | 50 | Hz |
| STWC | Ith | 12.5 | kA |
| DURATION OF STWC | + | 3 | s |
| CREEPAGE | | 1150 | mm |
| RATED BREAKING CAPACITY | | 630/800 | A |
| MASS | | 84 | kg |



| | | | | |
|----|--|--------|----------|-----|
| 17 | WASHER - FLAT, M20, GALVANISED | 518081 | 177986 | 3 |
| 16 | WASHER - SQUARE, 50x50x6mm, GALVANISED (Ø14mm HOLE) | | | 2 |
| 15 | WASHER - FLAT, M12, GALVANISED | 518081 | 177982 | 4 |
| 14 | WASHER - CONICAL, M12, GALVANISED | 518082 | H39639 | 2 |
| 13 | SCREW - COACH, EYE, M6, GALVANISED | | PURCHASE | 1 |
| 12 | STEP - POLE | | H17720 | A/R |
| 11 | BOLT & NUT - M12, HEX., GALVANISED (LENGTH TO SUIT POLE) | 515466 | | 2 |
| 10 | NUT - M10, HEX., STAINLESS STEEL | 515467 | H39401 | 12 |
| 9 | LUG - COMPRESSION, 2xM10 HOLES (TO SUIT CONDUCTOR) | 514053 | - | 6 |
| 8 | WASHER - SPRING, M10, STAINLESS STEEL | 518082 | 50120 | 12 |
| 7 | WASHER - FLAT, M10, STAINLESS STEEL | 518081 | 49411 | 24 |
| 6 | WASHER - CONICAL, M20, GALVANISED | 518082 | H39655 | 3 |
| 5 | WASHER - SQUARE, 75x75x6mm, GALVANISED (Ø22mm HOLE) | 518081 | H39231 | 6 |
| 4 | SCREW - SET, M10x30mm, HEX., STAINLESS STEEL | 515467 | 45088 | 12 |
| 3 | BOLT & NUT - M20, HEX., GALVANISED (LENGTH TO SUIT POLE) | 515466 | - | 3 |
| 2 | DISCONNECTOR - 36kV, 800A, UNITISED, LOAD BREAK, MODULAR | | TBA | 1 |
| 1 | DISCONNECTOR - 36kV, 630A, UNITISED, LOAD BREAK, MODULAR | | H27642 | 1 |
| 1 | POLE - AS REQUIRED | | - | 1 |

| ITEM | DESCRIPTION | DRAWING No. | STOCK CODE | QTY |
|------|------------------------|--------------------|------------|-------|
| | SCALE 120 | | | |
| | DESIGNED PHILLIP JONES | | | |
| | DRAWN PATRICIA RIOS | | | |
| | CHECKED PHILLIP JONES | | | |
| | APPROVED GLENN FORD | | | |
| | DATE 07/05/18 | | | |
| | PROJECT NUMBER STD | | | |
| | PROJ/TRAK NUMBER - | | | |
| | SIZE A2 | DRAWING No. 166707 | SHEET 02 | AMD 0 |

CAD DRAWING
DO NOT MANUALLY AMEND
AMENDMENTS

20110901

STANDARD CONSTRUCTION 33kV 800A AEM ABS 4-455L 225814

ASSOCIATED DRAWINGS

1/5 NEWCASTLE RD WALLSEND, NSW 2287

NETWORK STANDARD
Ausgrid

SCALE 120

STANDARD CONSTRUCTION
33kV NGK STANGER
MID POLE OPERATED AIR BREAK SWITCH
FOR TIMBER, CONCRETE & STEEL POLES
GENERAL ARRANGEMENT 4-455