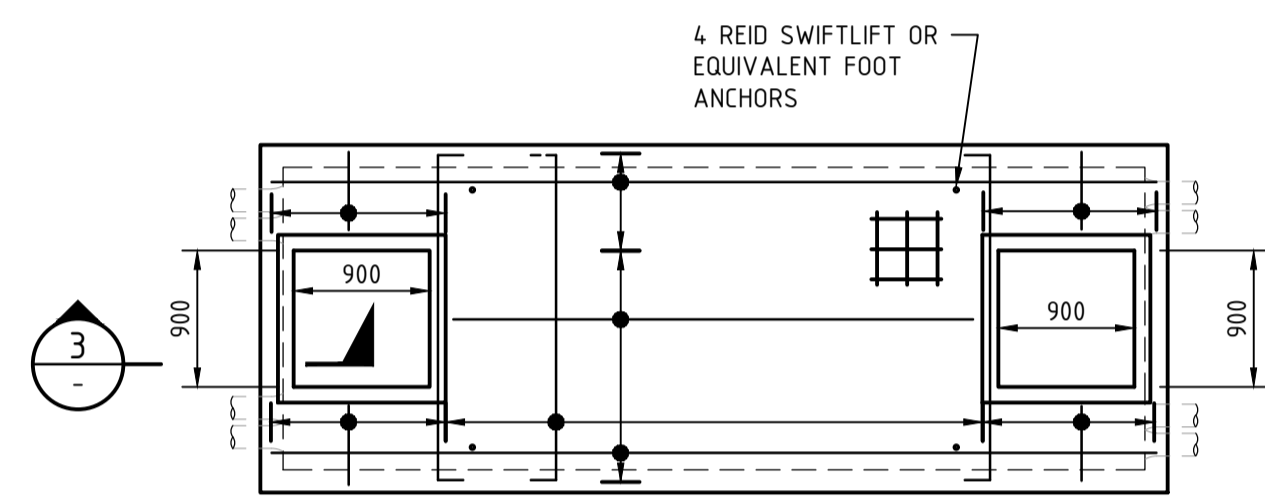


PLAN AT PIT BASE

SLAB

SCALE 1:50

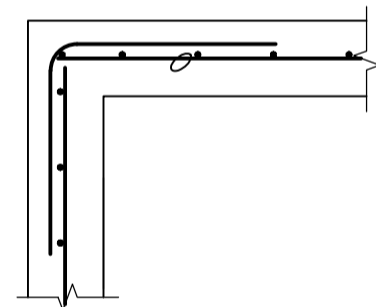
WEIGHT OF PIT UNIT - ? TONNES  
(LIFTING REQUIRES A SPREADER BEAM)



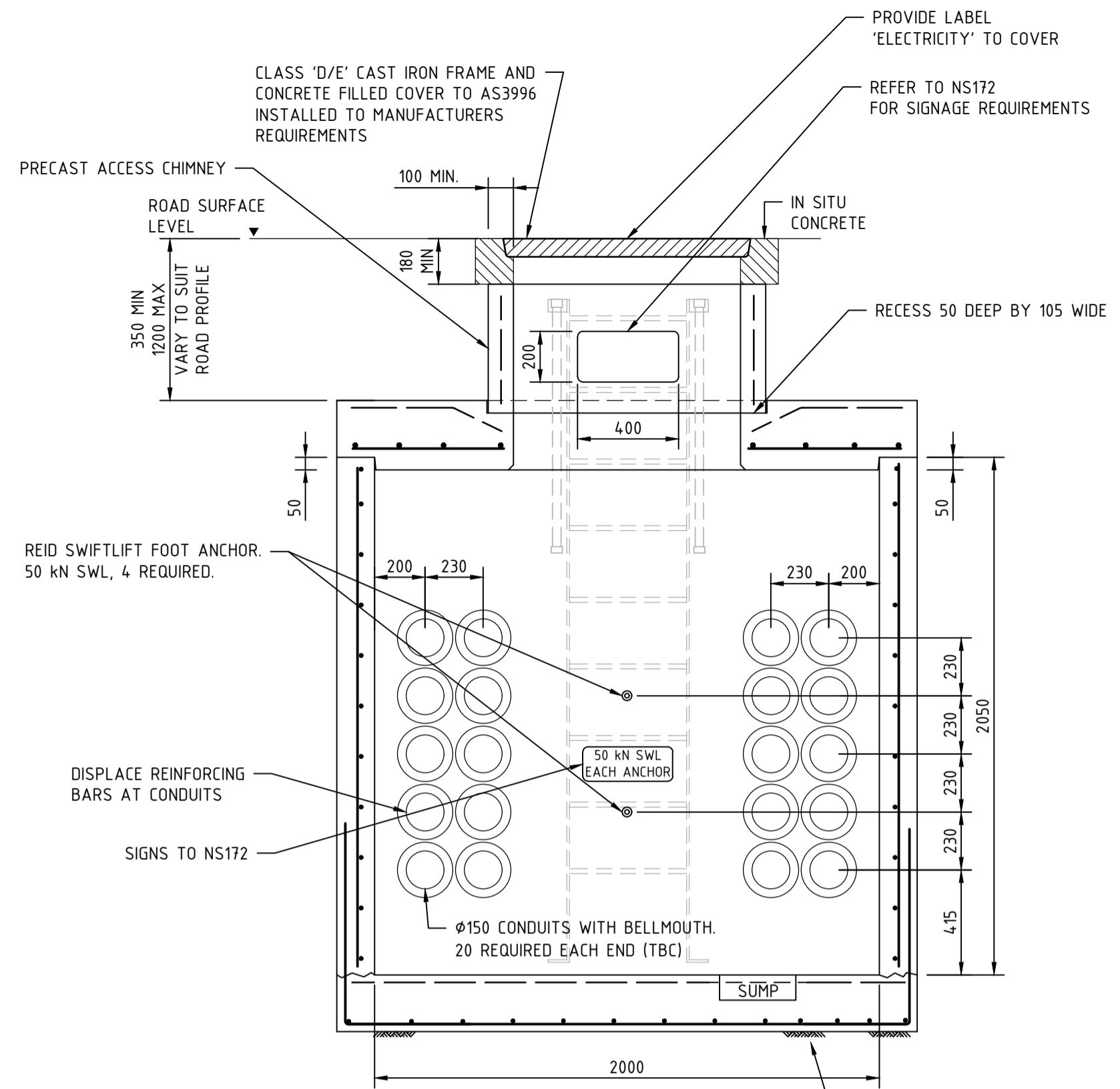
PLAN AT PIT ROOF

SCALE 1:50

WEIGHT OF ROOF UNIT - ? TONNES

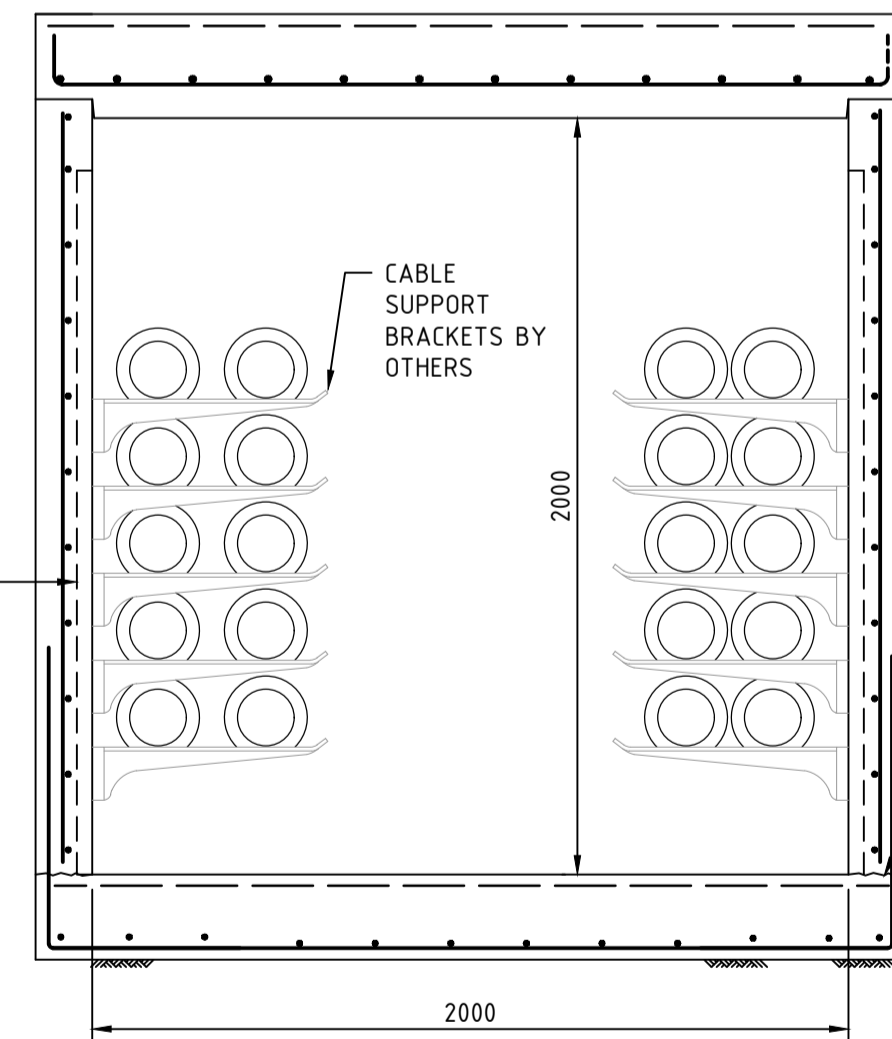


TYPICAL WALL PLAN AT CORNER  
SCALE 1:20



SECTION 1  
SCALE 1:20

P1000 UNISTRUT CONCRETE INSERTS, STAINLESS STEEL GRADE 316. PROVIDE 30 mm COVER BETWEEN UNISTRUT & REINFORCING. REFER PLAN FOR LOCATIONS



SECTION 2  
SCALE 1:20

PIT TO BE INSTALLED ON LEVEL BASE

DO NOT BACKFILL AROUND WALLS OF PIT UNTIL ROOF SLAB IS IN POSITION

DESIGN LOADS

SM1600 LOADS TO AS5100  
FULL DEPTH HYDROSTATIC AND BUOYANCY LOADS

FOR INFORMATION ONLY



570 GEORGE STREET  
SYDNEY NSW 2000

SCALE	AS SHOWN
DESIGNED	-
DRAWN	-
CHECKED	-
APPROVED	-
DATE	19-06-18
TRIM REF	-
PROJECT NUMBER	-

CABLE PIT (PRECAST)  
TYPICAL INDICATIVE DETAILS

DRAWING No 249060 SHEET 1 AMD 0 SIZE A1

CAD DRAWING  
DO NOT MANUALLY AMEND  
AMENDMENTS  
0 ISSUED FOR INFORMATION