

A

B

C

D

E

F

A

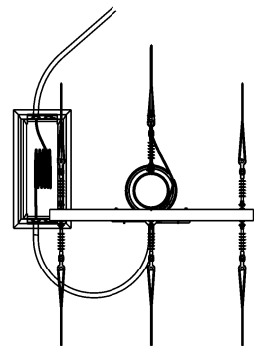
B

C

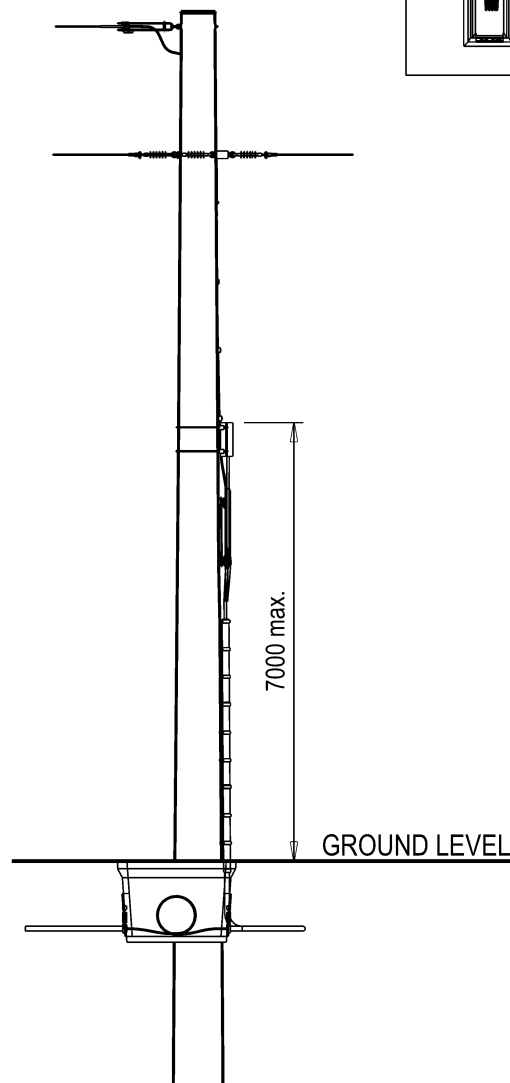
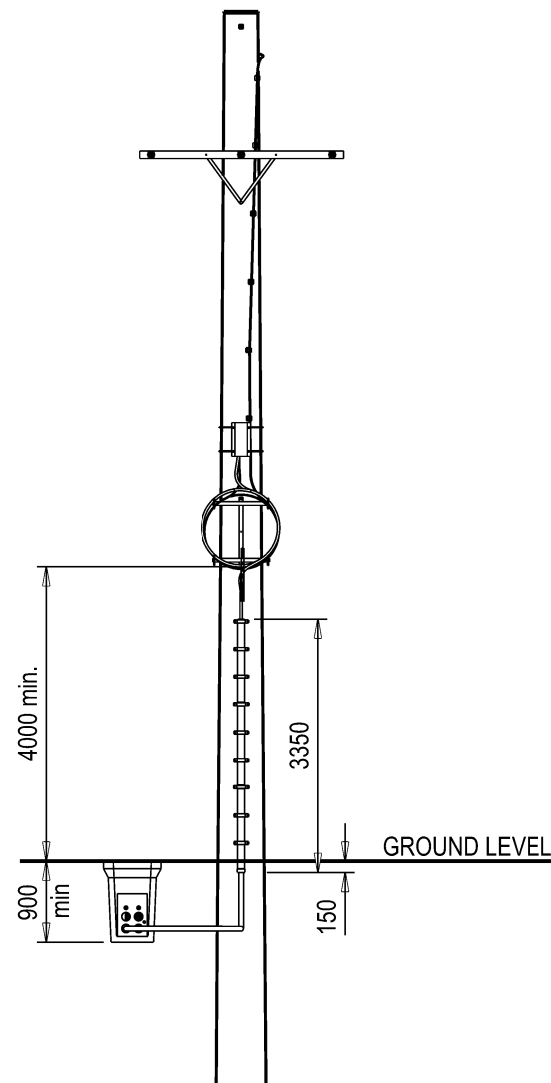
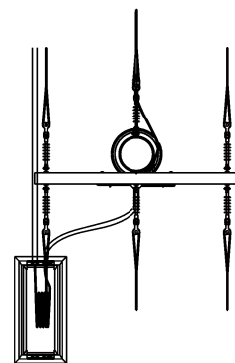
D

E

F



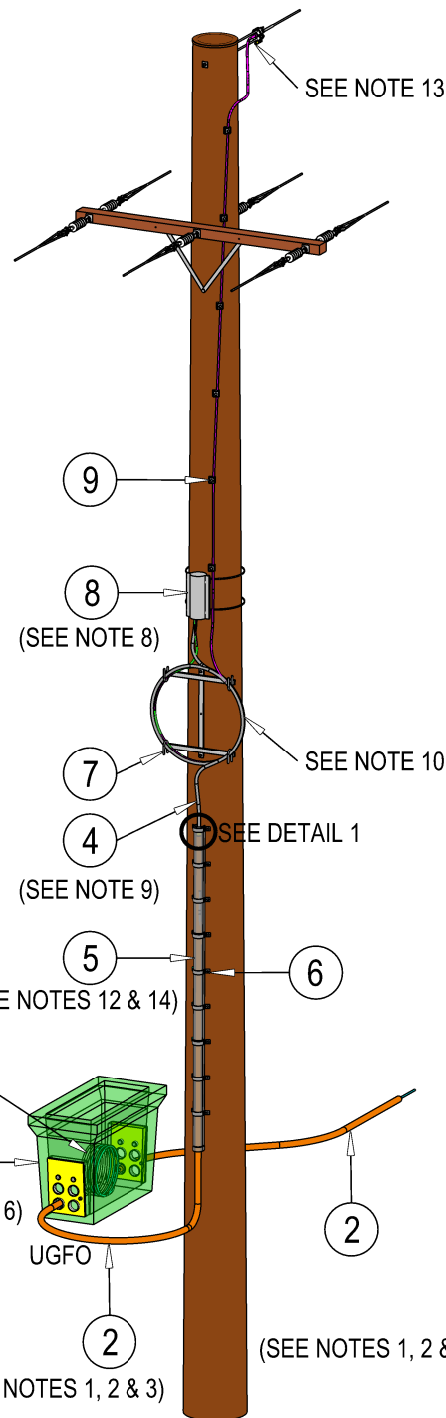
TOP VIEW  
ALTERNATE OPTION



ALL DIMENSIONS IN MILLIMETRES UNLESS NOTED OTHERWISE

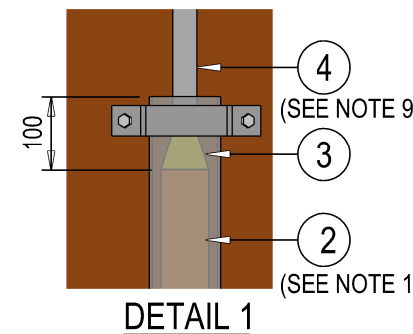


145 NEWCASTLE RD WALLSEND,  
NSW 2287

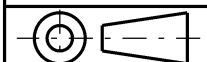


**GENERAL NOTES :**

1. ALL UGOH TRANSITIONS FOR TELECOMMUNICATIONS CABLES TO BE IN MIN Ø63mm HPVC ORANGE CONDUIT.
2. ALL UNDERGROUND TELECOMMUNICATIONS CONDUITS TO HAVE MIN 900mm COVER.
3. ALL CONDUIT BENDS ARE TO BE SWEEP BENDS OF MIN 1200mm RADIUS.
4. OMNI-DIRECTIONAL FREQUENCY MARKERS & WARNING TAPE TO BE INSTALLED OVER UNDERGROUND TELECOMMUNICATIONS CONDUITS AS PER NS205.
5. ENSURE ALL PITS INSTALLED ARE LOCKABLE CONCRETE J8 COMMUNICATIONS PITS FITTED WITH STANDARD Z1 SUBSTATION TYPE PADLOCKS AT THE TIME OF INSTALLATION OR CABLE HAUL AS PER NS204.
6. COMMUNICATIONS PIT TO BE LOCATED NO MORE THAN 40m FROM BASE OF POLE.
7. WHERE POSSIBLE, RISER CABLE & CONDUIT TO BE LOCATED ON THE OPPOSITE SIDE OF THE POLE TO ONCOMING TRAFFIC.
8. OPGW SPLICE CLOSURE TO BE INSTALLED AS PER STANDARD DRAWING 565743.
9. UGFO CABLE TO BE INSTALLED IN FLEXIBLE CONDUIT FROM 100mm BELOW TOP OF CABLE COVER UP TO CABLE GROMMET ON THE BASE OF THE SPLICE CLOSURE.
10. A MINIMUM OF 25m OF UGFO CABLE IN CORRUGATED CONDUIT IS TO BE INSTALLED ON THE OPGW COIL BRACKET.
11. ENSURE A MINIMUM 40m OF UGFO CABLE IS COILED IN PIT AT BASE OF POLE FOR ALL UGOH TRANSITIONS WITH THE EXCEPTION OF SUBSTATION LEAD-INS WHERE A MINIMUM 50m COIL IS REQUIRED.
12. BOTTOM CABLE COVER TO START 150mm BELOW GROUND LEVEL.
13. REFER TO DRG: 565747 FOR SUITABLE OPGW STANDARD TERMINATION DESIGNS.
14. TO RETROFIT A COMMUNICATIONS UGOH TO POLES OTHER THAN TIMBER, THE CABLE COVERS ARE TO BE ATTACHED TO THE POLE WITH STAINLESS STEEL STRAPPING.



ITEM	DESCRIPTION	DRG. No.	QTY
9	CLAMP - DOWNLEAD, CUSHION, FIBERLIGN (TO SUIT OPGW CONDUCTOR)		A/R
8	CLOSURE - OPGW, SPLICE, COYOTE, STAINLESS STEEL WITH CABLE GLANDS (SEE NOTE 8)		1
7	BRACKET - OPGW, CABLE COIL		1
6	SCREW - COACH, M10 x 40mm, GALVANISED (S/C: 50567)		18
5	COVER - CABLE, LV, UGOH, NON-METALLIC, KIT (SEE NOTES 12 & 14)	234373	1
4	CONDUIT - CORRUGATED, Ø32mm, UV STABILISED, GREY (SEE NOTE 9)		A/R
3	REDUCER - CONDUIT, Ø63mm TO Ø32mm, HD		1
2	CONDUIT - Ø63mm, HPVC, ORANGE (SEE NOTES 1, 2 & 3)		A/R
1	PIT - COMMUNICATIONS, J8, CONCRETE (SEE NOTES 5 & 6)	212393	1



CAD DRAWING  
DO NOT MANUALLY AMEND  
A M E N D M E N T S  
DWN: PATRICIA RIOS  
CHKD: ALFRED FREESTONE  
DATE: 30/04/2019  
SPELLING MISTAKE CORRECTED.  
APPD by: GLENN FORD

SCALE	NTS
DESIGNED	ALFRED FREESTONE
DRAWN	PATRICIA RIOS
CHECKED	PHILLIP JONES
APPROVED	GLENN FORD
DATE	17/04/19
PROJECT NUMBER	-
PROJTRAK NUMBER	-

STANDARD CONSTRUCTION TELECOMMUNICATIONS EXTERNAL PLANT OPTICAL FIBRE CONSTRUCTION OPGW UGOH			
SIZE	DRAWING No	SHEET	AMD
A3	212386	04	1