

A

B

C

D

E

F

A

B

C

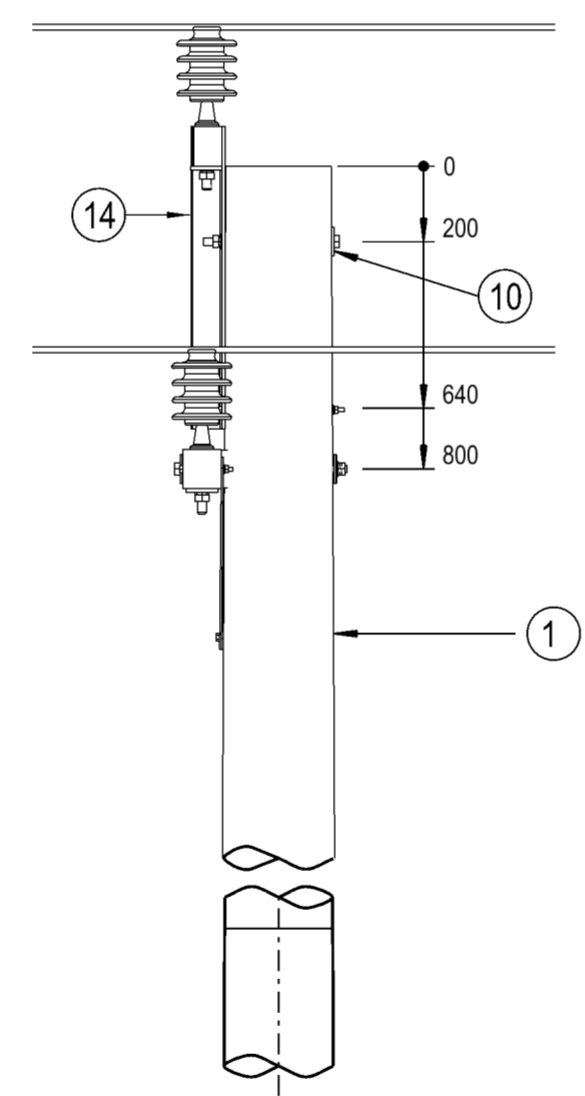
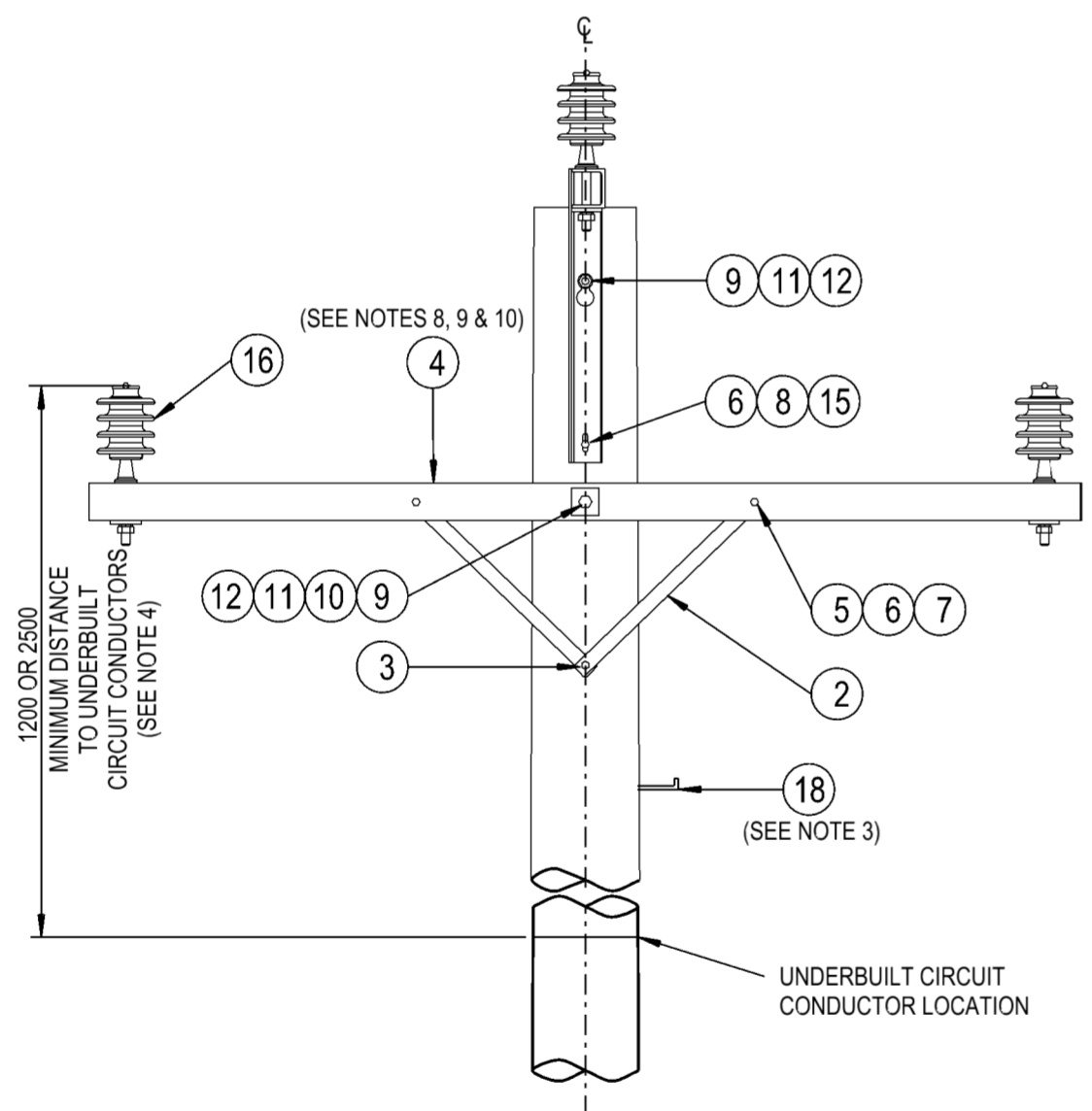
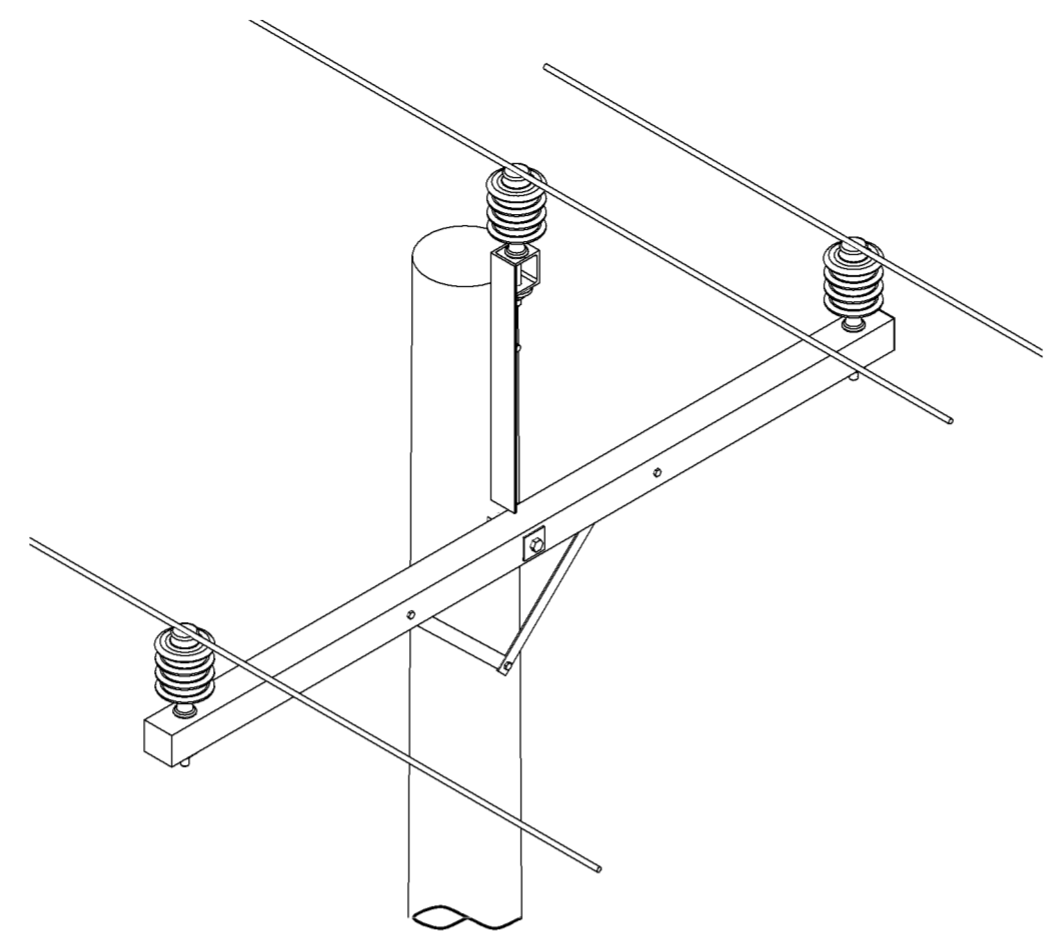
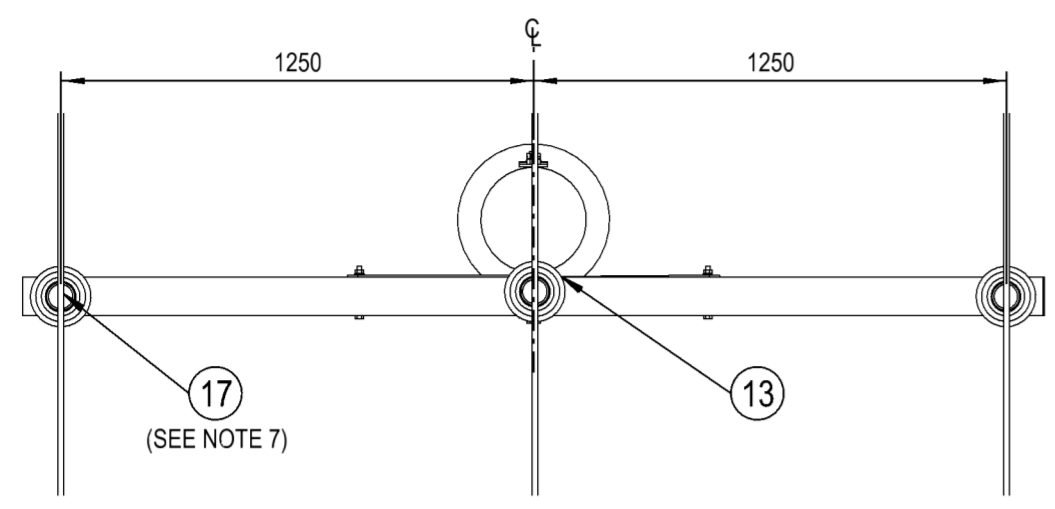
D

E

F

**NOTES :**

1. THE FOLLOWING INFORMATION IS OBTAINED FROM THE PROJECT DESIGN DRAWINGS:
  - a. POLE LENGTH AND STRENGTH.
  - b. SPECIAL FOUNDATION REQUIREMENTS.
  - c. POLE EMBEDMENT DEPTH.
  - d. CONDUCTOR SIZE.
  - e. CROSSARM SIZE AND BRACE REQUIREMENTS.
  - f. STAY REQUIREMENTS.
  - g. DEVIATION ANGLE.
2. THE MAXIMUM LINE DEVIATION ANGLE TO BE CONSTRUCTED ON THIS ARRANGEMENT IS TO BE DETERMINED BY THE LINE DESIGNER.
3. POLE STEPS ARE TO BE INSTALLED IN ACCORDANCE WITH THE REQUIREMENTS OF NS128.
4. IN AREAS WHERE THE 11kV NETWORK CANNOT BE WORKED ON USING LIVE LINE TECHNIQUES, UNDERBUILT CIRCUITS SHALL BE INSTALLED WITH A MINIMUM CLEARANCE OF 1200mm. IN AREAS WHERE THE 11kV NETWORK CAN BE WORKED ON USING LIVE LINE TECHNIQUES, UNDERBUILT CIRCUITS SHALL BE INSTALLED WITH A MINIMUM CLEARANCE OF 2500mm.
5. ALL BOLTS AND INSULATOR PINS PASSING THROUGH TIMBER ARE TO BE COATED WITH GRAPHITE GREASE.
6. POLES SHALL BE DRILLED, SCARFED AND DRESSED ON SITE. DRILLING AND SCARFING TO BE TREATED WITH APPROVED PRESERVATIVES.
7. IF THE CONDUCTOR DEVIATES AT THE INSULATOR, USE THE ANGLE TYPE CONDUCTOR TIE ARRANGEMENT. OTHERWISE, USE THE INTERMEDIATE TYPE CONDUCTOR TIE ARRANGEMENT AS SHOWN ON DRG: 514038.
8. COMPOSITE FIBRE CROSSARMS ARE TO BE USED AS THE PREFERRED OPTION UNDER NORMAL CIRCUMSTANCES.
9. A 2706mm COMPOSITE FIBRE CROSSARM IS TO BE USED AS THE DEFAULT CROSSARM. A LONGER CROSSARM IS TO BE USED WHERE ADDITIONAL MID SPAN SEPARATION IS REQUIRED.
10. ONLY THE 2706mm COMPOSITE FIBRE CROSSARM OPTION IS SHOWN ON THIS CONSTRUCTION DRAWING. REFER TO DRGS: 262732, 514373 & 237491 FOR DRILLING PATTERN OF ALTERNATE CROSSARMS.
11. REFER TO DESIGNER SAFETY REPORT D23/213398 FOR ATYPICAL HAZARDS ASSOCIATED WITH THIS STANDARD CONSTRUCTION.



ITEM	DESCRIPTION	DRG. No	STOCK CODE	QTY
18	STEP - POLE, SCREW-IN (SEE NOTE 3)	250144	185198	A/R
17	TIE - CONDUCTOR, HIGH VOLTAGE, SUPPORT ARRANGEMENT (SEE NOTE 7)	514038		4m
16	INSULATOR - 11/22kV AERODYNAMIC, (22/450) & PIN ARRANGEMENT	513997		3
15	BOLT & NUT - M12, HEX., GALVANISED (LENGTH TO SUIT POLE)	515466		1
14	BRACKET - POLE TOP, GALVANISED	514380	H17314	1
13	BLOCK - GAIN, ALUMINIUM, 100mm		146274	1
12	WASHER - FLAT, M20, GALVANISED	518081	177986	2
11	WASHER - CONICAL, M20, GALVANISED	518082	H39655	2
10	WASHER - SQUARE, 75x75x6mm, GALVANISED (Ø22mm HOLE)	518081	H39231	3
9	BOLT & NUT - M20, HEX., GALVANISED (LENGTH TO SUIT POLE)	515466		2
8	WASHER - CONICAL, M12, GALVANISED	518082	H39639	1
7	WASHER - CONICAL, M12, GALVANISED (USE WITH 2700mm CROSSARM) WASHER - SPRING, M12, GALVANISED (USE WITH 2706mm, 3006mm & 3030mm CROSSARMS)	518082	H39639	2
6	WASHER - FLAT, M12, GALVANISED	518081	177982	6
5	BOLT & NUT - M12x130mm, HEX., GALVANISED	515466	46805	2
4	CROSSARM - 3030x100x100mm, ITEM 2, COMPOSITE FIBRE (SEE NOTES 8, 9 & 10) CROSSARM - 2700x100x100mm, TYPE B, HARDWOOD (SEE NOTES 8, 9 & 10) CROSSARM - 3006x102x102mm, TYPE 10, COMPOSITE FIBRE (SEE NOTES 8, 9 & 10) CROSSARM - 2706x102x102mm, TYPE 9, COMPOSITE FIBRE (SEE NOTES 8, 9 & 10)	237491 514373 262732 262732	183934 H23884 186780 186779	1
3	SCREW - COACH, M12x100mm, GALVANISED		H40484	1
2	BRACE - CROSSARM, FLAT, 690mm, GALVANISED	514385	H17738	2
1	POLE - TIMBER (AS REQUIRED)	513988		1

CAD DRAWING  
 DO NOT MANUALLY AMEND  
 AMENDMENTS  
 DWN: P.R.  
 CHKD: P.J.  
 APPD: G.F.  
 DATE: 08/12/2023  
 NOTES & MATERIAL LIST  
 AMENDED. ASSOCIATED  
 DRAWING ADDED.

ALL DIMENSIONS IN MILLIMETRES UNLESS NOTED OTHERWISE. DO NOT SCALE.

DESCRIPTION	ITEM NO
COMPOSITE FIBRE CROSSARM MECHANICAL LOAD REQUIREMENTS	237491
2700mm CROSSARMS FOR LV, 11kV, 22kV AND 33kV CONSTRUCTION DETAILS	514373
COMPOSITE FIBRE CROSSARMS SPECIFICATION	262732
HV CONDUCTOR TIE SUPPORT ARRANGEMENTS	514038

NETWORK STANDARD  
  
 145 NEWCASTLE RD WALLSEND,  
 NSW 2287

SCALE	1:20
DESIGNED	-
DRAWN	P.S
CHECKED	-
APPROVED	I.NICHOLS
DATE	03.02.1994
PROJECT NUMBER	STD
PROJTRAK NUMBER	-

STANDARD CONSTRUCTION  
 11kV DELTA CONSTRUCTION  
 2-6

SIZE	DRAWING No	SHEET	AMD
A2	520222	1	9

C