

CONSTRUCTION

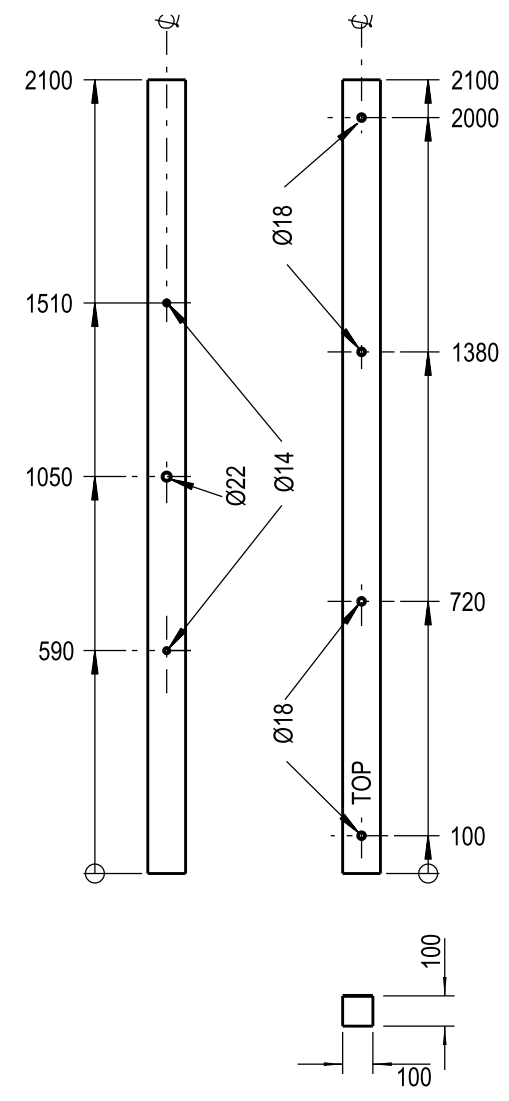
1-1
1-3
1-14
1-100
1-101
1-103
1Ø 11kV
DROPOUTS

2-5CCT
2-6CCT
2-7CCT
2-14CCT
2-38CCT
2-42CCT
2-61CCT
2-106CCT
2-107CCT

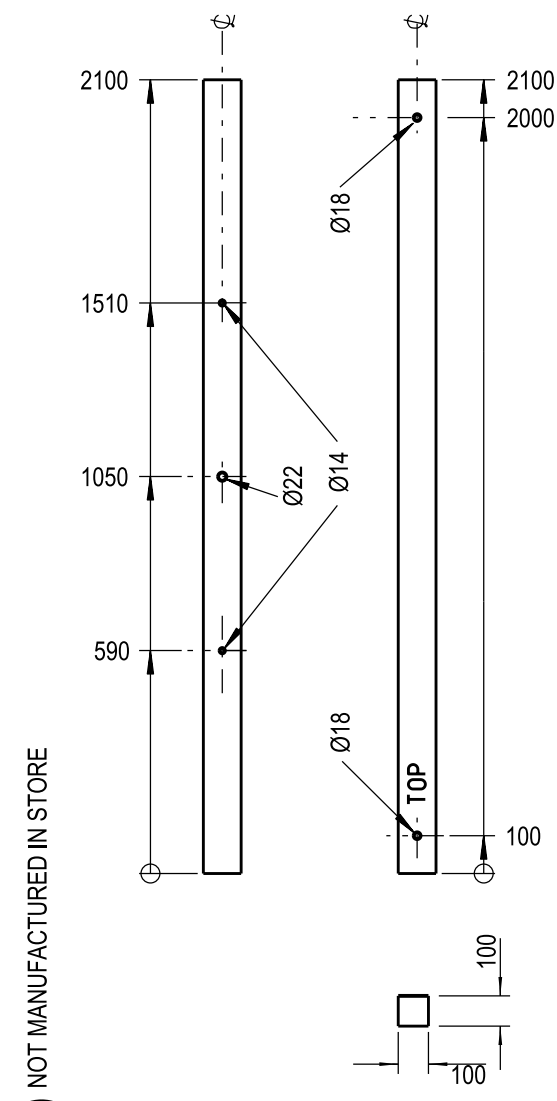
2-5
2-14
2-61
2-414

FOR 1Ø
AND 2Ø
RURAL
APPLICATIONS

DRILLING DETAILS

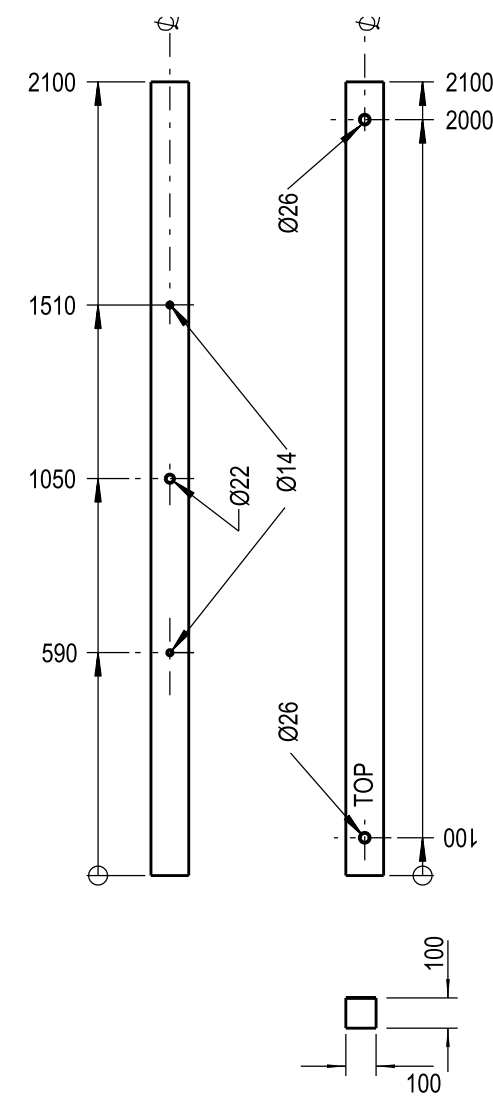


2100 x 100 x 100mm CROSSARM STOCK CODE :H23818

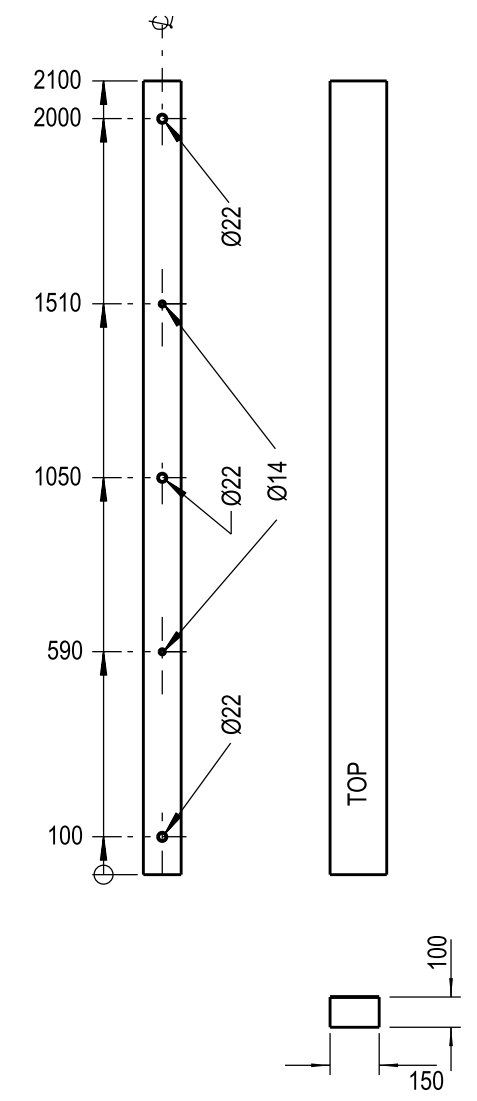


NOT MANUFACTURED IN STORE

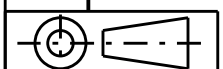
DRILL UNBORED 2100 x 100 x 100mm CROSSARM USING BLANK STOCK CODE :H23680



2100 x 100 x 100mm CROSSARM STOCK CODE :H23834



2100 x 150 x 100mm CROSSARM STOCK CODE :H23850



ALL DIMENSIONS IN MILLIMETRES DO NOT SCALE

CAD DRAWING
DO NOT MANUALLY AMEND
A M E N D M E N T S
DWN: GARRY CRAIG
CHKD: GARRY CRAIG
APP'D: GLENN FORD

DATE: 02/05/2014
AUSGRID BORDER
APPLIED.
10

DWN: PATRICIA RIOS
CHKD: PHILLIP JONES
DATE: 20/12/2018
1-101 CONSTRUCTION
ADDED TO TYPE A
11

APP'D by: GLENN FORD

NETWORK STANDARD
Ausgrid
145 NEWCASTLE RD WALLSEND,
NSW 2287

SCALE	1:20
DESIGNED	-
DRAWN	P.S
CHECKED	-
APPROVED	G SKINNER
DATE	13/11/96
PROJECT NUMBER	STD
PROJTRAK NUMBER	

STANDARD CONSTRUCTION 2100mm CROSSARMS FOR LV 11kV AND 33kV CONSTRUCTION DETAILS			
SIZE	DRAWING No	SHEET	AMD
A3	514374	01	11