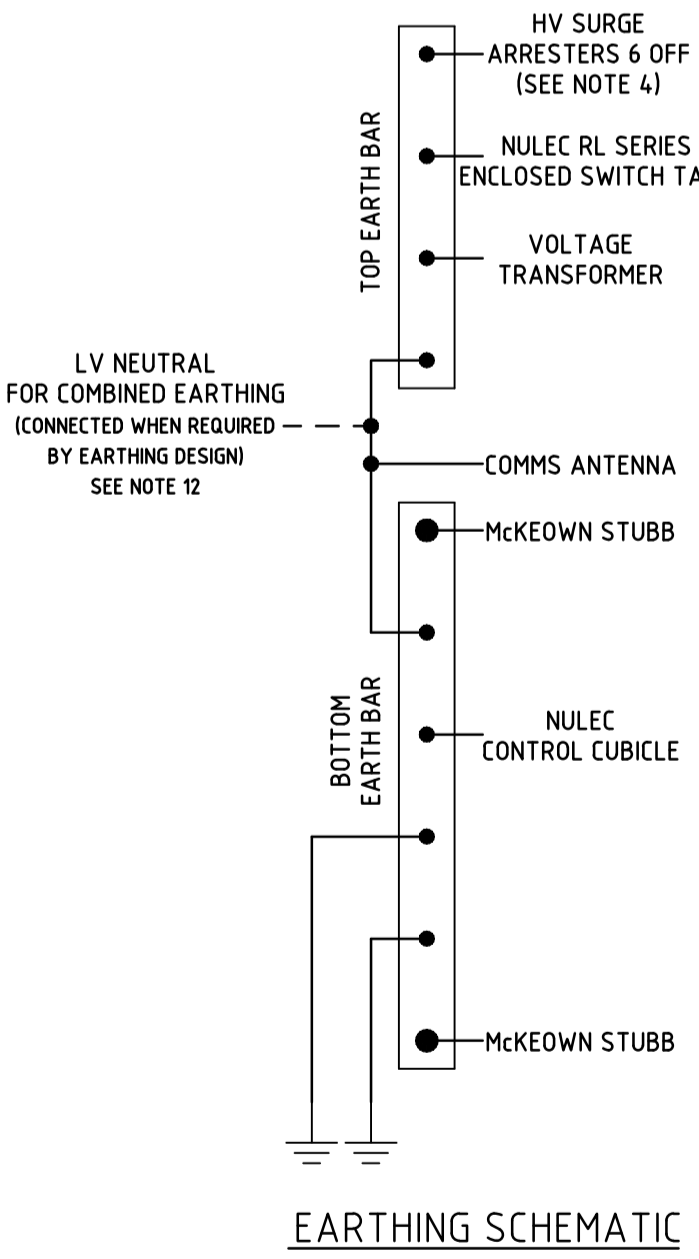
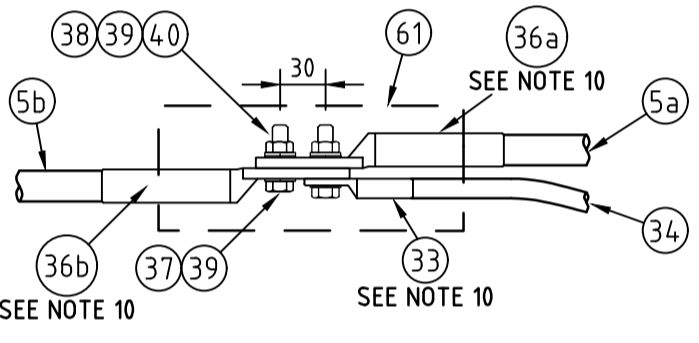
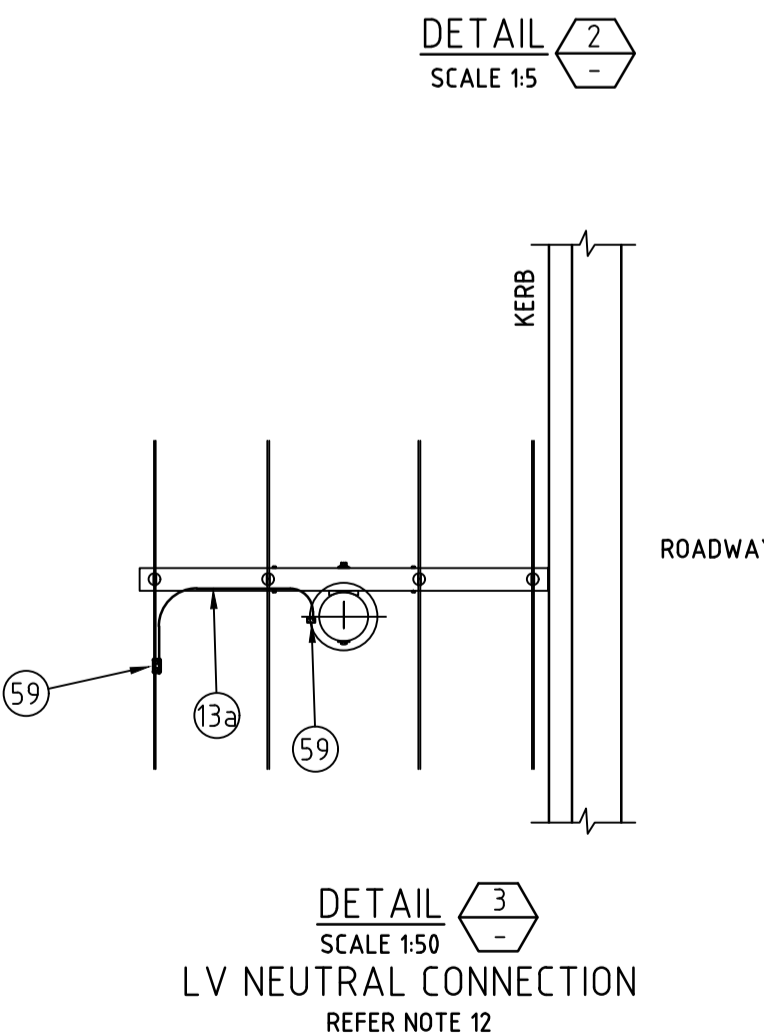
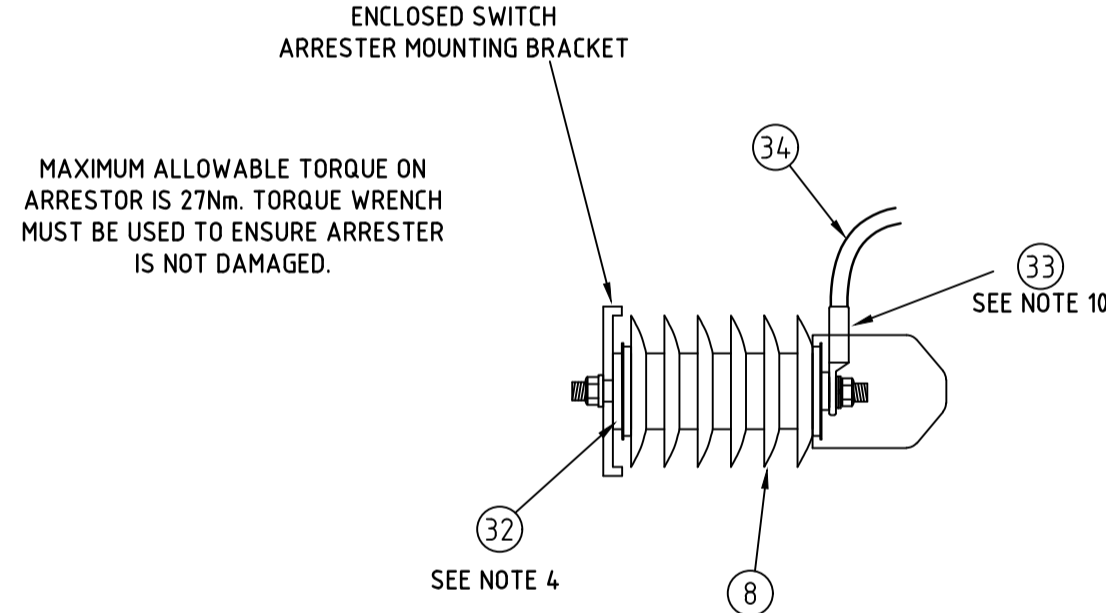


EQUIPMENT WEIGHTS	
ENCLOSED SWITCH	100kg
ENCLOSED SWITCH MOUNTING BRACKET	20kg
ENCLOSED SWITCH CONTROL CABINET	45kg
VOLTAGE TRANSFORMER	43kg
VOLTAGE TRANSFORMER MOUNTING BRACKET	8kg



- NOTES**
- MINIMUM CLEARANCE 11kV TO EARTH IS TO BE GREATER THAN 200mm. HV PHASE TO PHASE CLEARANCE IS TO BE GREATER THAN 280mm.
 - THE SWITCH CAN BE MOUNTED UP TO 8.5 METRES ABOVE THE GROUND, HOWEVER IF THE HEIGHT OF THE EXISTING LV MAINS IS SUCH THAT THE SWITCH NEEDS TO BE MOUNTED HIGHER TO MAINTAIN SPECIFIED CLEARANCES, LOCAL OPERATING STAFF WILL NEED TO BE CONSULTED.
 - WHERE THE 1200mm CLEARANCE BETWEEN THE BARE LV MAINS AND THE BOTTOM OF THE SURGE ARRESTERS CANNOT BE MAINTAINED, CONSIDERATION SHOULD BE GIVEN TO MOVING THE INSTALLATION TO A MORE SUITABLE POLE BEFORE EITHER CONVERSION TO LV ABC FOR ONE SPAN EITHER SIDE OF THE ENCLOSED SWITCH, AS SHOWN ON DRAWING 170234, OR REPLACING WITH A TALLER POLE.
 - HV SURGE ARRESTORS ARE TO BE EARTHED VIA THE EARTH BAR ARRANGEMENT (ITEM 32). THE EARTH BAR IS TO BE ELECTRICALLY BONDED TO THE MAIN EARTH CONDUCTOR USING 70mm² PVC INSULATED CONDUCTOR (ITEM 13).
 - 95mm² ALUMINIUM EARTH CONDUCTORS SHALL BE USED FROM THE BOTTOM EARTH BAR TO 300mm ABOVE GROUND WHERE 70mm² COPPER EARTH CONDUCTORS WILL BE EXTENDED VIA BIMETALLIC LINKS TO THE EARTH ELECTRODES. THE BIMETALLIC LINKS ARE TO BE STAGGERED UNDER THE CABLE COVER.
 - DANGER SIGNS TO BE INSTALLED ON BOTH FRONT AND REAR OF POLE. SIGNS MUST BE BENT AROUND POLE BEFORE SECURING.
 - WHERE CCT MAINS ARE USED, STANDARD EARTHING POINTS AND COVERS ARE TO BE INSTALLED AS DETAILED IN NS126.
 - THE VOLTAGE TRANSFORMER IS TO BE CONNECTED TO THE LINE SIDE OF THE ENCLOSED SWITCH WHEN THE SYSTEM IS CONFIGURED NORMALLY ALTHOUGH THIS IS NOT MANDATORY.
 - THE ENCLOSED SWITCH IS TO BE LABELLED IN ACCORDANCE WITH NS158 TABLE 4.6 - 'RECLOSERS & SECTIONALISERS'. THE POLE NUMBER IS TO BE INSTALLED IN ACCORDANCE WITH NS148.
 - INSTALL MEDIUM WALLED MASTIC LINED BLACK HEATSHRINK OVER THE BARE LUG BARREL AND CABLE INSULATION.
 - AN EXTERNAL ANTENNA CAN BE INSTALLED WHERE REQUIRED. THE ACTUAL LOCATION OF THE ANTENNA ON THE POLE IS TO BE DETERMINED DURING INSTALLATION OF COMMUNICATION EQUIPMENT. THE LOCATION IS ALWAYS TO COMPLY WITH THE MINIMUM SAFE WORKING DISTANCES SPECIFIED IN AUSGRID'S ELECTRICAL SAFETY RULES.
 - IF THE SITE SPECIFIC EARTHING DESIGN REQUIRES THE LV MAINS NEUTRAL TO BE CONNECTED TO THE ENCLOSED SWITCH EARTHING SYSTEM, DETAIL 3 SHOULD BE USED FOR THE CONNECTION. FOR A COMBINED EARTHING SYSTEM A CONNECTION IS TO BE MADE VIA ITEM 59 AS SHOWN. FOR A SEGREGATED EARTHING SYSTEM THE CABLE SHOWN IN DETAIL 3 AS ITEM 13a IS TO BE RUN DOWN THE POLE USING COPPER AND ALUMINIUM CABLES AS PER NOTE 5 TO A SEPARATE LV EARTH ROD SYSTEM.

ITEMS 5,7,41,42 & 47 ARE SUPPLIED BY MANUFACTURER UNDER STOCKCODE 181887

ITEM	DESCRIPTION	DWG No	STOCK CODE	QTY.
60	COVER - PARALLEL GROOVE 2 BOLT	144576	6	
59	CLAMP - PARALLEL GROOVE 2 BOLT	176946	AS REQ.	
58	BI-METALLIC CRIMP LINK FOR 95mm ² TO 70mm ² CABLE	517278	H107797	AS REQ.
57	BI-METALLIC CRIMP LUG FOR 95mm ² AL CABLE	58743		2
56	WIRE - TIE PREFORMED INSULATED FOR CCT TO SUIT CONDUCTOR SIZE			6
55	INSULATOR - PIN POST LONG STUD (FOR CCT)		145052	6
54	WASHER - CONICAL M16 GALVANISED	517278	H39647	6
53	WASHER - CONICAL M12 GALVANISED	517278	H39639	4
52	WASHER - FLAT M12 GALVANISED	518081	177982	8
51	BOLT & NUT - M12x130mm HEX GALVANISED	515466	46805	4
50	BRACE - CROSSARM FLAT 690mm GALVANISED	514385	H17738	4
49	BLOCK - GAIN ALUMINIUM 100mm		146274	2
48	CROSSARM - WOOD 2400mm x 100mm x 100mm		71589	2
47	COVERED CONDUCTOR THICK (CCT 80)			SUPPLIED
46	CLAMP - PARALLEL GROOVE 2 BOLT BIMETALLIC		176491	6
45	CLAMP - PARALLEL GROOVE, 2 BOLT		144568	8
44	EXISTING BARE LV MAINS			
43	ANTENNA			1
42	CONTROL CABLE - SUPPLIED WITH ENCLOSED SWITCH			SUPPLIED
41	CONTROL CUBICLE - SUPPLIED WITH ENCLOSED SWITCH			SUPPLIED
40	WASHER - M10, BELEVILLE, STAINLESS STEEL	518082	177296	8
39	WASHER - M10, FLAT, STAINLESS STEEL	518081	49411	8
38	NUT - M10, HEX, STAINLESS STEEL	515467	H39401	8
37	BOLT - M10 x 30mm, HEX, STAINLESS STEEL	515467	45088	8
36b	LUG - COMPRESSION, BI-METALLIC 2 x M10 HOLES, TO SUIT CONDUCTOR	514053		8
36a	LUG - COMPRESSION, BI-METALLIC 2 x M10 HOLES, TO SUIT CONDUCTOR	514053		6
35	CLAMP - PARALLEL GROOVE, 2 BOLT, COPPER		176946	1
34	CONDUCTOR - 25mm ² HENDRIX TAP CABLE			6
33	LUG - CRIMP, COPPER, M12, FOR 25mm ² HENDRIX TAP CABLE			12
32b	SURGE ARRESTOR EARTH BAR - FLAT, TINNED COPPER, 50mm x 6.3mm	224405	182462	1
32a	SURGE ARRESTOR EARTH BAR - FLAT, TINNED COPPER, 50mm x 3mm	224405	182462	2
31	CONNECTOR - COPPER, COMPRESSION, 70mm ² CONDUCTOR TO Ø15 ROD		H31699	AS REQ.
30	COUPLER - EARTH ELECTRODE, TO SUIT Ø15 ROD		H31649	AS REQ.
29	ELECTRODE - DRIVEN EARTH, Ø15 x 1800mm		H31631	AS REQ.
28	COVER STRIP - CABLE, 150mm WIDE		151100	AS REQ.
27	EYED LAG BOLT - M8 x 110mm, STAINLESS		182589	1
26	COACH SCREW - M12 x 100mm, GALVANISED		H40484	4
25	EARTH STUB - McKEOWN	520088	H108415	2
24	TOP EARTH BAR - FLAT, TINNED COPPER, 50.8mm x 6.3mm	'DETAIL 1'	182110	1
23	BOTTOM EARTH BAR - FLAT, TINNED COPPER, 50.8mm x 6.3mm	'DETAIL 1'	182110	1
22	CLOUT - GALVANISED, Ø2.8 x 30mm		50971	AS REQ.
21	SIGN - DANGER HIGH VOLTAGE		H47012	2
20	NUT - M12, STAINLESS STEEL	515467	8987	AS REQ.
19	WASHER - BELEVILLE, M12, STAINLESS STEEL	518082	175903	AS REQ.
18	LUG - CRIMP, M12, FOR 70mm ² COPPER	31077	74831	AS REQ.
17	WASHER - FLAT, M12, STAINLESS STEEL	518081	49429	AS REQ.
16	SET SCREW - M12 x LENGTH TO SUIT, STAINLESS STEEL	515467		AS REQ.
15	PROTECTOR - BLACK EARTH CABLE GUARD	205775	157552	AS REQ.
14	SADDLES - TO SUIT CABLE		PURCHASE	AS REQ.
13b	CONDUCTOR - SINGLE CORE OF 95mm ² ABC			AS REQ.
13a	CONDUCTOR - 19/2.14 Cu BLACK PVC INSULATED HD (70mm ² EARTH)		60111	AS REQ.
12	WASHER - FLAT ROUND, M20, GALVANISED	518081	177986	AS REQ.
11	WASHER - CONICAL, M20, GALVANISED	517278	H39655	AS REQ.
10	WASHER - SQUARE, M20 x 75 x 75 x 6mm	518081	H39231	AS REQ.
9	BOLT & NUT - M20, HEX, GALVANISED, LENGTH TO SUIT	515466		AS REQ.
8	ARRESTER & CAP - 11kV		111948	6
7	SCHNEIDER RL SERIES ENCLOSED SWITCH WITH VOLTAGE TRANSFORMER	TBA	181887	SUPPLIED
6	CCT EARTHING POINT COVER		144741	6
5b	COVERED CONDUCTOR THICK - TO SUIT FEEDER RATING (MINIMUM CCT 120)			AS REQ.
5a	COVERED CONDUCTOR THICK - TO SUIT FEEDER RATING (MINIMUM CCT 120)			SUPPLIED
4	BRACKET MOUNTING EXTENSION		79251	3
3	11kV OVERHEAD ARRANGEMENT 2-11CCT (MINUS BRIDGING) WITH ITEM 4	174962		1
2	11kV OVERHEAD ARRANGEMENT 2-11 (MINUS BRIDGING) WITH ITEM 4	513915		1
1	POLE - WOOD, TO SUIT (MINIMUM 12.5m x 84N)			1

AN EARTHING DESIGN MUST BE UNDERTAKEN FOR EACH SITE. THE EARTHING SHOWN ON THIS DRAWING IS INDICATIVE ONLY.

AMENDMENTS						
AMD	DATE	DESCRIPTION	DRAWN BY	DESIGNED BY	CHECKED BY	APPROVED BY
1	15/04/2020	MATERIAL LIST AMENDED.	P.PRIOS	P.JONES	P.JONES	G.FORD



SCALE	AS SHOWN	STANDARD CONSTRUCTION	
DESIGNED	P.JARVIS	11kV SCHNEIDER RL SERIES	
DRAWN	P.JARVIS	POLE MOUNTED ENCLOSED SWITCH	
CHECKED	M.ANDREWS	MOUNTED OVER BARE LV MAINS	
APPROVED	D.GRCEV	GENERAL ARRANGEMENT	
DATE	21.9.12		
PROJECT NUMBER	STD		
PROJTRAK NUMBER		SIZE	DRAWING No
		A1	228901
		SHEET	AMD
		1	1