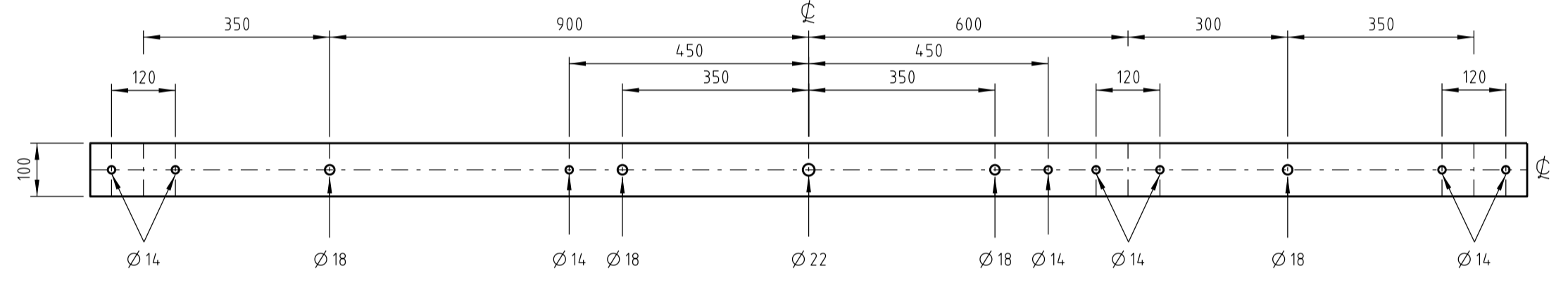
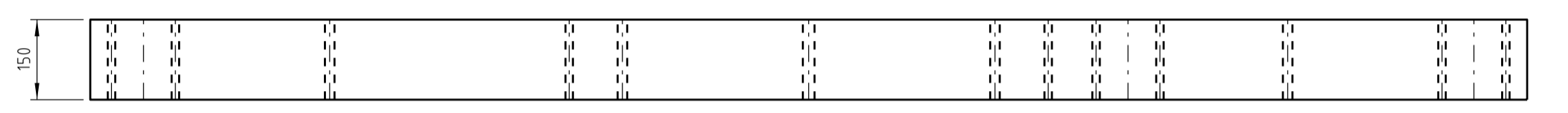
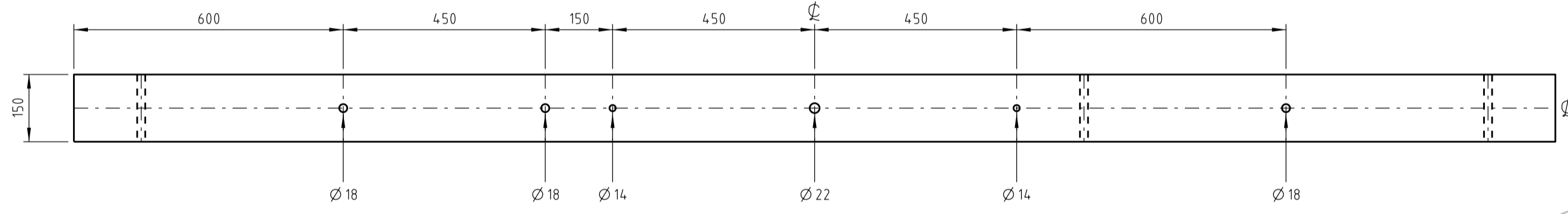


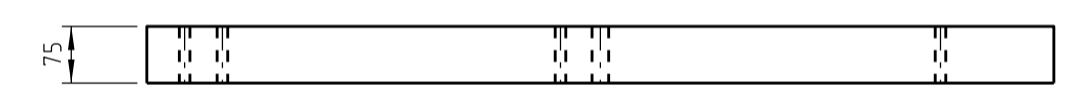
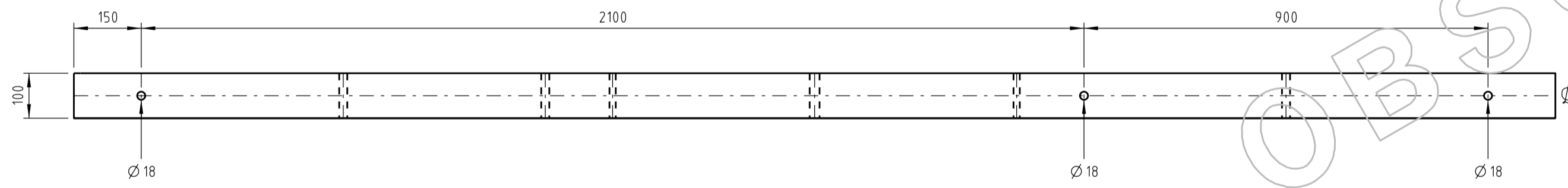
ITEM 24 - MAINS FROM RECLOSER - 150 x 100 x 2700 HARDWOOD



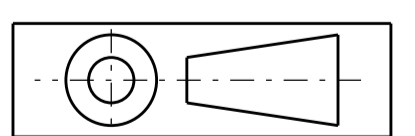
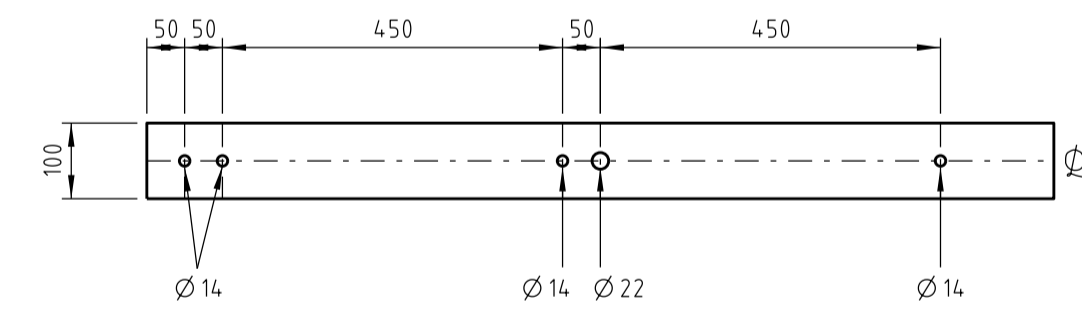
ITEM 13 - ARRESTER CROSSARM - 150 x 100 x 2700 HARDWOOD



ITEM 7 - LINK CROSSARM - 150 x 100 x 3300 HARDWOOD



ITEM 12 - REGULATOR CONTROL BOX CROSSARMS - 75 x 100 x 1200 HARDWOOD
(FOR POLE MOUNTED CONTROL BOXES ONLY)



DO NOT SCALE

NOTE ALL DIMENSIONS ARE IN mm UNLESS NOTED OTHERWISE

CAD DRAWING DO NOT MANUALLY AMEND AMENDMENTS	0	INITIAL ISSUE
	1	DWN: NATALE SINGLETON CHKD: WILLIAM GRAHAM DATE: 22/11/2007 CROSSARM SIZE CHANGED FROM 2700 x 100 x 100 TO 2700 x 150 x 100
	2	APP'D By: WILLIAM GRAHAM
	3	DWN: NATALE SINGLETON CHKD: PETER STOREY DATE: 24/07/2008 DRILLING DETAIL ALTERED TO SUIT CCT FITTING ITEM 24 - RENAMED
	4	APP'D By: ROSS HUGHES
	5	DWN: NATALE SINGLETON CHKD: PETER STOREY DATE: 24/07/2008 REGULATOR CONTROL BOX CROSSARMS DRILLING HOLES MOVED
6	APP'D By: ROSS HUGHES	
7	DWN: RAY DEAL CHKD: DANIEL DAFO DATE: 20/05/2011 OBSOLETE DRAWING	
8	APP'D By: ROSS HUGHES	

STANDARD CONSTRUCTION - 3 UNIT REGULATOR WITH POLE MOUNTED CONTROLLER	185173
STANDARD CONSTRUCTION - 3 UNIT REGULATOR WITH GROUND MOUNTED CONTROLLER	185175
STANDARD CONSTRUCTION - 2 UNIT REGULATOR WITH POLE MOUNTED CONTROL	185172
STANDARD CONSTRUCTION - 2 UNIT REGULATOR WITH GROUND MOUNTED CONTROLLER	185174
ASSOCIATED DRAWINGS	

OBSOLETE

DESIGN
165 NEWCASTLE RD. WALLSEND, NSW 2287
TEL 4951 9388 FAX 4951 9389

SCALE	1:10
DESIGNED	WILLIAM GRAHAM
DRAWN	BARBARA BARSKI
CHECKED	WILLIAM GRAHAM
APPROVED	ROSS HUGHES
DATE	10/07/07
PRJTRK No.	
PROJECT NUMBER	STD

POLE MOUNTED REGULATOR TIMBER CROSSARM DRILLING FOR USE WITH 2 AND 3 UNIT REGULATORS			
DRAWING No	183394	SHEET	01
AMD	6	SIZE	A1

OBSOLETE DRAWING