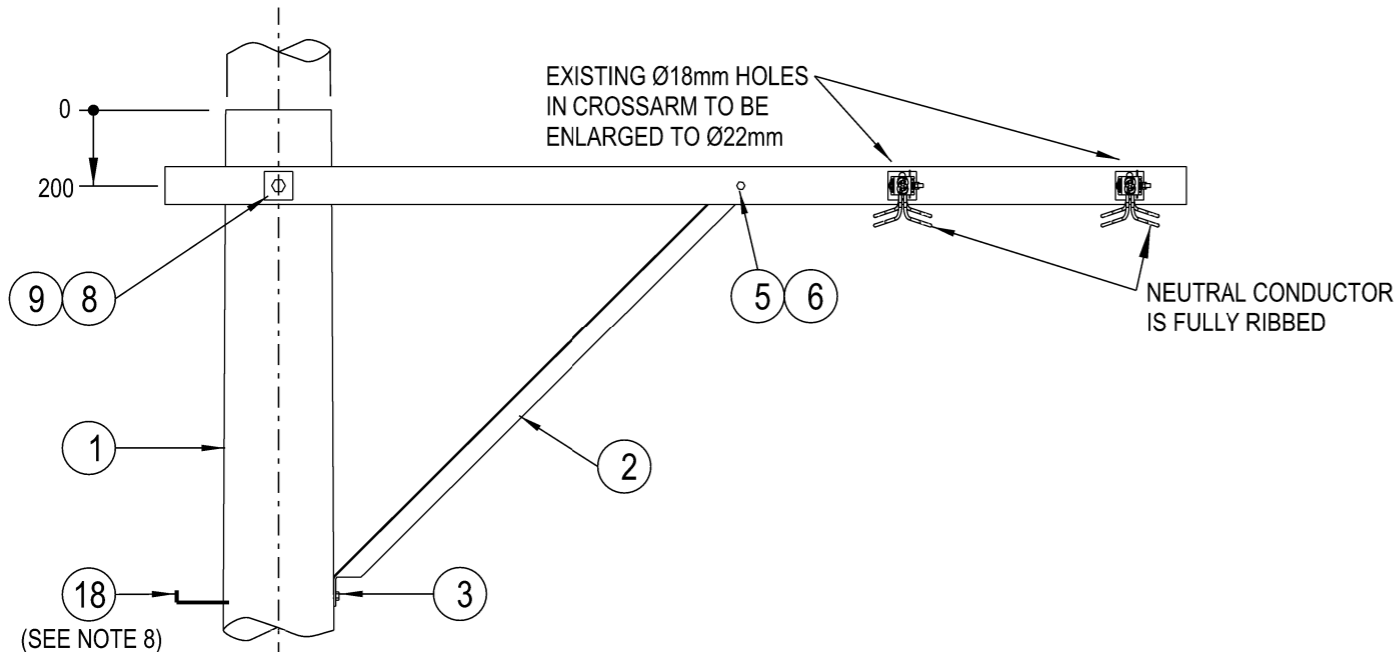
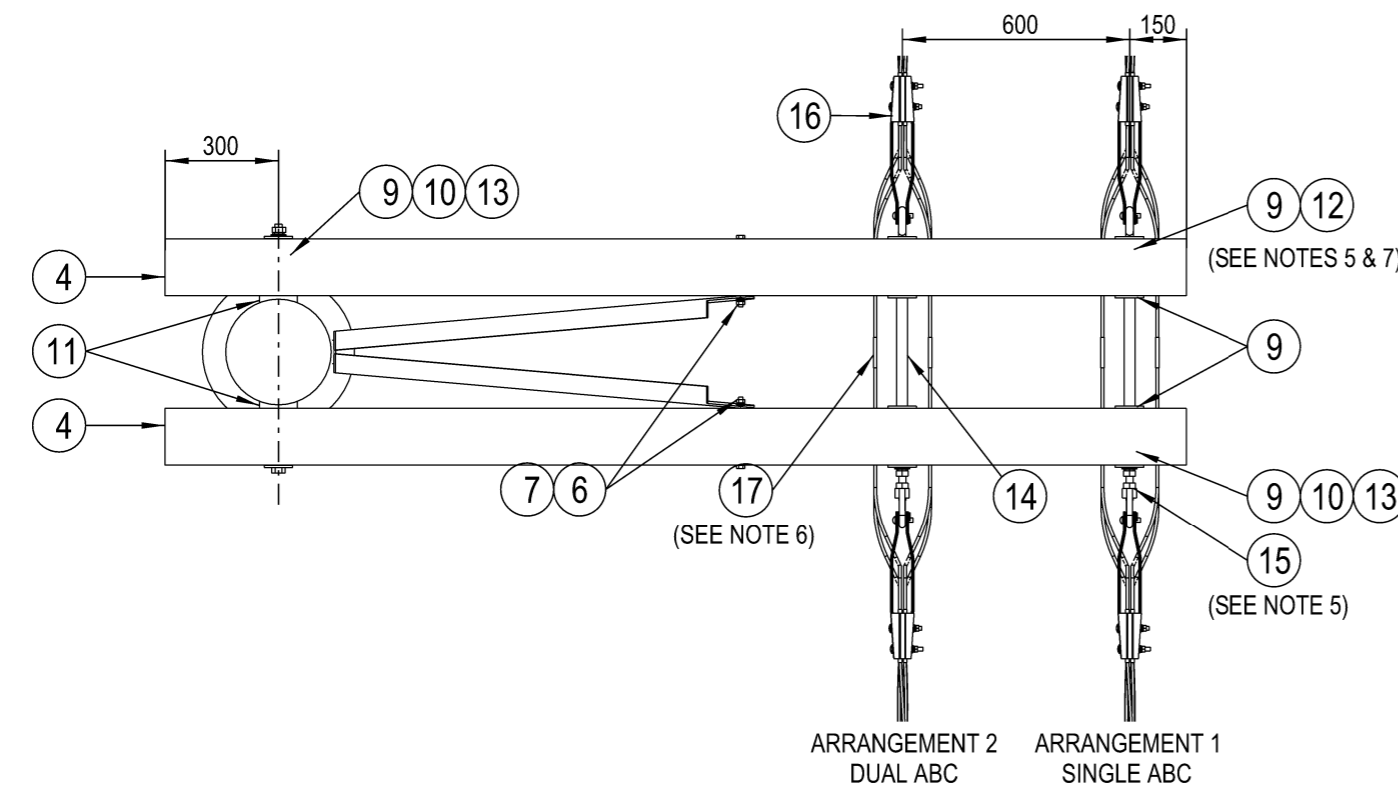


**NOTES :**

1. THE FOLLOWING INFORMATION IS OBTAINED FROM THE PROJECT DESIGN DRAWINGS:
  - a. POLE LENGTH AND STRENGTH.
  - b. SPECIAL FOUNDATION REQUIREMENTS.
  - c. POLE EMBEDMENT DEPTH.
  - d. CONDUCTOR SIZE.
  - e. VARIATIONS TO STANDARD CROSSARM REQUIREMENTS.
  - f. STAY REQUIREMENTS.
  - g. DEVIATION ANGLE.
2. THE MAXIMUM LINE DEVIATION ANGLE TO BE CONSTRUCTED ON THIS ARRANGEMENT IS TO BE DETERMINED BY THE LINE DESIGNER.
3. ALL BOLTS PASSING THROUGH TIMBER ARE TO BE COATED WITH GRAPHITE GREASE.
4. POLES SHALL BE DRILLED, SCARFED AND DRESSED ON SITE. DRILLING AND SCARFING TO BE TREATED WITH APPROVED PRESERVATIVES.
5. THE LOAD AND DEVIATION ALLOWABLE ON THE EYEBOLT AND EYENUT ASSEMBLY IS TO BE DETERMINED FROM DRG: 520331.
6. PRE-INSULATED ALUMINIUM COMPRESSION SLEEVES TO BE USED WHEN REQUIRED TO JOIN CONDUCTORS.
7. THE SECOND M20 NUT SUPPLIED WITH THE EYEBOLT IS TO BE USED AS A LOCKNUT FOR THE EYENUT.
8. POLE STEPS ARE TO BE INSTALLED IN ACCORDANCE WITH THE REQUIREMENTS OF NS128.
9. REFER TO DESIGNER SAFETY REPORT D22/312047 FOR ATYPICAL HAZARDS ASSOCIATED WITH THIS STANDARD CONSTRUCTION.

ITEM	DESCRIPTION	DRG. No	STOCK CODE	ARR-1 QTY	ARR-2 QTY
18	STEP - POLE, SCREW-IN (SEE NOTE 8)	250144	185198	A/R	A/R
17	SLEEVE - COMPRESSION, NON TENSION, PRE-INSULATED (TO SUIT 25mm <sup>2</sup> LV ABC) (SEE NOTE 6)	514053	176654	4	8
	SLEEVE - COMPRESSION, NON TENSION, PRE-INSULATED (TO SUIT 95mm <sup>2</sup> LV ABC) (SEE NOTE 6)	514053	H19073		
	SLEEVE - COMPRESSION, PRE-INSULATED (TO SUIT 150mm <sup>2</sup> LV ABC) (SEE NOTE 6)	514053	150987		
16	CLAMP - TERMINATION (TO SUIT 2x25mm <sup>2</sup> OR 4x25mm <sup>2</sup> LV ABC)		H113464	2	4
	CLAMP - TERMINATION (TO SUIT 2x95mm <sup>2</sup> OR 4x95mm <sup>2</sup> LV ABC)		176651		
	CLAMP - TERMINATION (TO SUIT 4x150mm <sup>2</sup> LV ABC)		176652		
15	EYENUT - M20, GALVANISED (SEE NOTE 5)	513951	H38853	1	2
14	PIPE - SPACER, 25mm NB, GALVANISED (CUT PIPE TO MATCH POLE HEAD DIAMETER)		H36754	1	1
13	WASHER - FLAT, M20, GALVANISED	518081	177986	2	3
12	EYEBOLT - M20, GALVANISED (LENGTH TO SUIT CROSSARM SEPARATION) (SEE NOTES 5 & 7)	513653		1	2
11	BLOCK - GAIN, ALUMINIUM, 100mm		146274	2	2
10	WASHER - CONICAL, M20, GALVANISED	518082	H39655	2	3
9	WASHER - SQUARE, 75x75x6mm, GALVANISED (Ø22mm HOLE)	518081	H39231	6	10
8	BOLT & NUT - M20, HEX., GALVANISED (LENGTH TO SUIT POLE)	515466		1	1
7	WASHER - CONICAL, M12, GALVANISED	518082	H39639	1	1
6	WASHER - FLAT, M12, GALVANISED	518081	177982	4	4
5	BOLT & NUT - M12x180mm, HEX., GALVANISED	515466	46888	2	2
4	CROSSARM - 3300x150x100mm, TYPE E, HARDWOOD	514376	H23020	2	2
3	SCREW - COACH, M12 x 100mm, GALVANISED		H40484	2	2
2	BRACE - CROSSARM, ANGLE, 1524x50x50x6mm, GALVANISED	514382	H17291	2	2
1	POLE - TIMBER (AS REQUIRED)	513988		1	1



ALL DIMENSIONS IN MILLIMETRES UNLESS NOTED OTHERWISE. DO NOT SCALE.

CAD DRAWING DO NOT MANUALLY AMEND A M E N D M E N T S	DWN: P.R.	CHKD: P.J.	APP'D: G.F.	DATE: 03/11/2022	BRACE STRAP POSITION CORRECTED. NOTES & MATERIAL LIST AMENDED.
	1	2	3	4	
CFROSSARMS SHOWN AS 150mm. MATERIAL LIST AMENDED.	DWN: P.R.	CHKD: P.J.	APP'D: G.F.	DATE: 11/09/2024	2
	1	2	3	4	

NETWORK STANDARD

145 NEWCASTLE RD WALLSEND, NSW 2287

SCALE	1:20
DESIGNED	GRANT BAILEY
DRAWN	PATRICIA RIOS
CHECKED	GRANT BAILEY
APPROVED	GLENN FORD
DATE	15/09/17
PROJECT NUMBER	STD
PROJTRAK NUMBER	-

STANDARD CONSTRUCTION		SIZE	DRAWING No	SHEET	AMD
LV ABC TWIN OFFSET CROSSARM					
TERMINATION CONSTRUCTION		A3	244670	1	2
1-82					