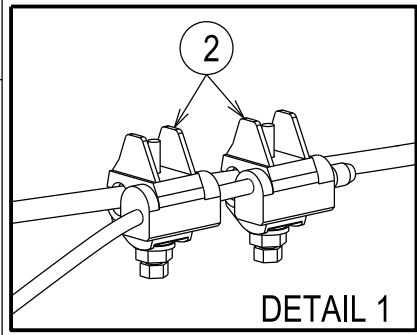
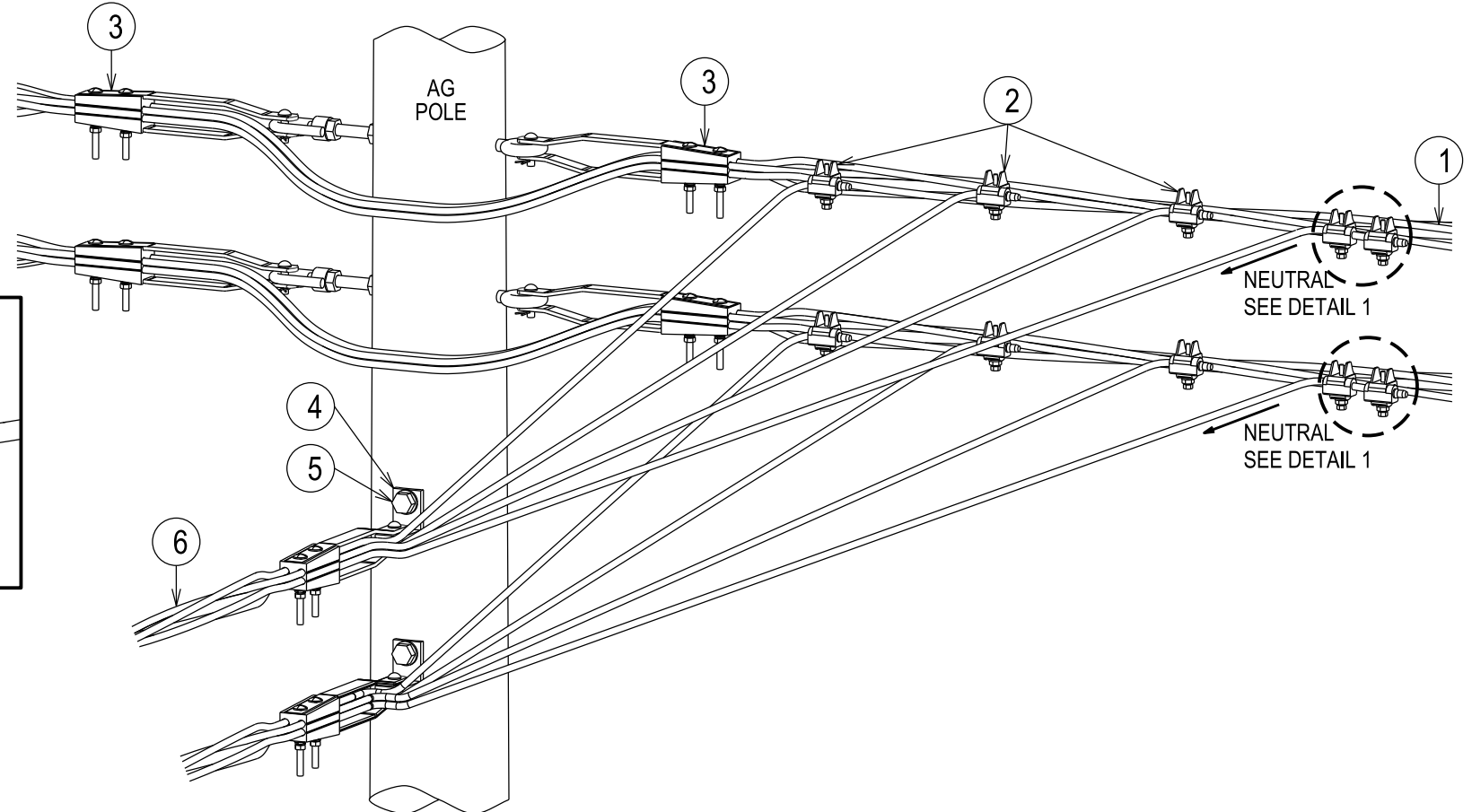


No.	DESCRIPTION	STOCK		QTY
		95mm ²	150mm ²	
1	MAINS CABLE - 4 CORE 95/150mm ² XLPE ABC	67959	TBD	A/R
2	CONNECTOR - IPC 95-25/ 150-95mm ²	73593	143891	10
3	CLAMP - STRAIN CLAMP 2-4 CORE 95mm ² ABC	176652	176652	2
4	TERMINATION BRACKET - RIGHT ANGLE, GALVANISED	66571	66571	2
5	BOLT & NUT - M20, GALVANISED (LENGTH TO SUIT)	TBA	TBA	2
6	SERVICE CABLE - 4x95mm ² AL XLPE ABC	67959	67959	A/R

NOTE :

1. CREATE THE NEUTRAL WITH THE GREATEST CABLE SLACKNESS.
2. LOW VOLTAGE DISTRIBUTION MAINS CAN BE :
 - SUSPENSION OR,
 - THROUGH STRAIN OR,
 - TERMINATION



CAD DRAWING
DO NOT MANUALLY AMEND
AMENDMENTS
DWN: PATRICIA RIOS
CHKD: HIRI EHAMPARAM
DATE: 08/04/2014
NEUTRAL CONNECTION
CHANGED, DETAIL 1
ADDED, MATERIAL LIST
AMENDED.
APPD: MATTHEW CUPPLES

NETWORK STANDARD
Ausgrid
145 NEWCASTLE RD
WALLSEND NSW 2287
PHONE: 4951 9388
FAX: 4591 9389

DESIGNED	ROBERT KNOWLES
DRAWN	PATRICIA RIOS
CHECKED	ROBERT KNOWLES
AUTHORISED	GREG SKINNER
DATE	02/07/04
SCALE	NTS
MAP REF.	
LGA	

STANDARD CONSTRUCTION
400AMP ABC MAINS
SUPPORT FROM POLE
3 PHASE

PROJECT No.	NET-STD
PROJTRAK No.	-
Sheet 01 of 1 Sheets	
A4	168792
	3