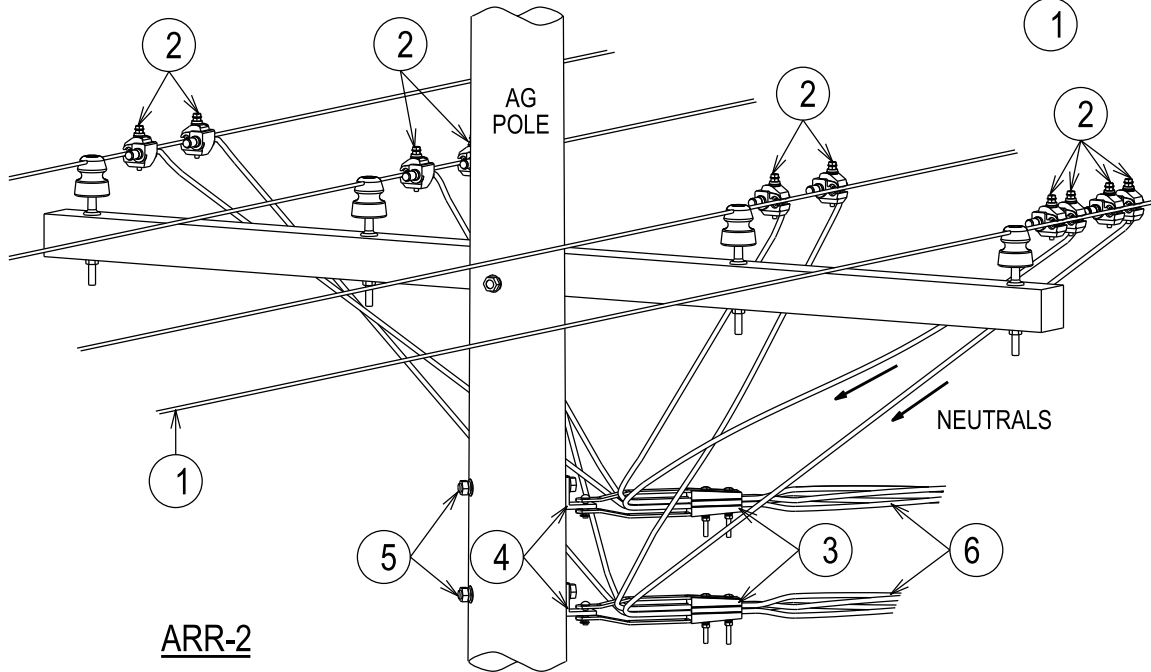
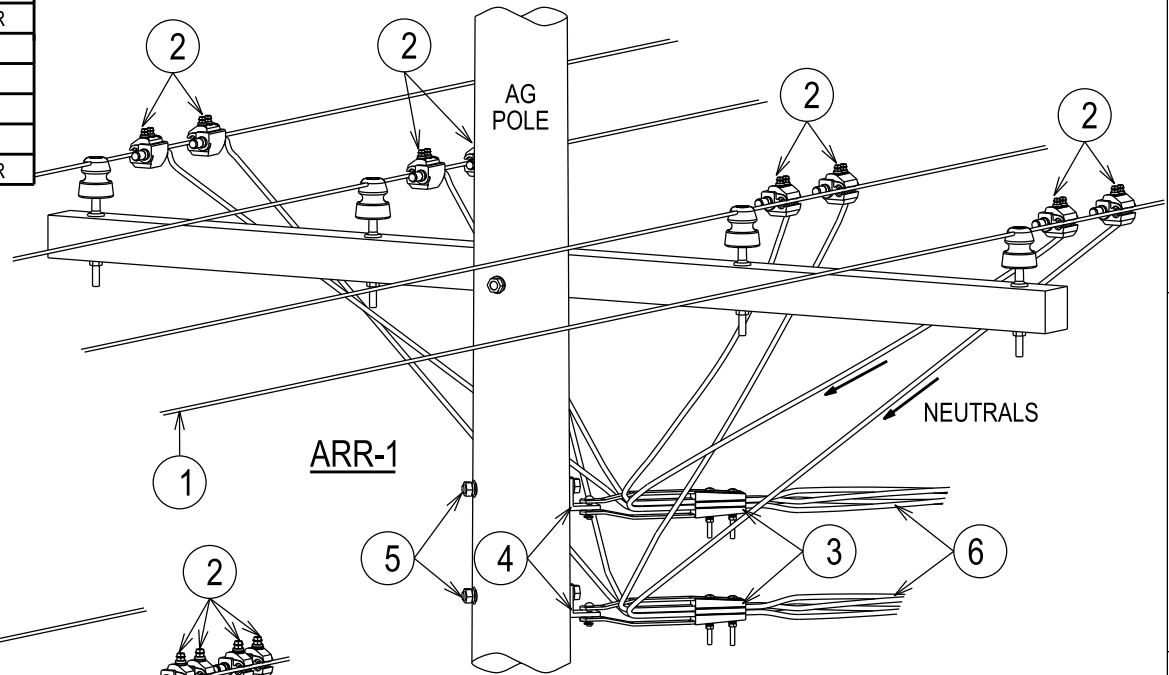


No.	DESCRIPTION	AL - ARR-1		CU - ARR-2	
		STOCK	QTY	STOCK	QTY
1	CONDUCTOR - BARE WIRE OVERHEAD	-	A/R	-	A/R
2	CONNECTOR - BARE MAINS/IPC	73569	8	176580	10
3	CLAMP - STRAIN CLAMP 2-4 CORE 95mm ² ABC	176652	1	176652	1
4	TERMINATION BRACKET - RIGHT ANGLE, GALVANISED	66571	1	66571	1
5	BOLT & NUT - M20, GALVANISED (LENGTH TO SUIT)	TBA	1	TBA	1
6	SERVICE CABLE - 4x95mm ² AL XLPE ABC	67959	A/R	67959	A/R

NOTE :

1. IPC CONNECTOR ORIENTATION IS DIAGRAMMATIC ONLY, IT MAY BE INSTALLED IN ANY DIRECTION.



CAD DRAWING DO NOT MANUALLY AMEND AMENDMENTS	DWN: PATRICIA RIOS	3
	CHKD: HIRI EHAMPARAM	
	DATE: 11/04/2014	
NEUTRAL CONNECTION CHANGED, MATERIAL LIST AMENDED.		
APPD: MATTHEW CUPPLES	DWN: PATRICIA RIOS	4
CHKD: HIRI EHAMPARAM		
DATE: 25/11/2015		
STOCK CODE FOR ITEM 2 ARR-2 AMENDED.		
APPD: MATTHEW CUPPLES		

NETWORK STANDARD
Ausgrid
 145 NEWCASTLE RD
 WALLSEND NSW 2287
 PHONE: 4951 9388
 FAX: 4591 9389

DESIGNED	ROBERT KNOWLES
DRAWN	PATRICIA RIOS
CHECKED	ROBERT KNOWLES
AUTHORISED	GREG SKINNER
DATE	02/07/04
SCALE	NTS
MAP REF.	
LGA	

**STANDARD CONSTRUCTION
 400AMP OPEN WIRE MAINS
 SUPPORT FROM POLE
 3 PHASE**

PROJECT No.	NET-STD
PROJTRAK No.	-
Sheet 01 of 1 Sheets	
A4	168791
	4