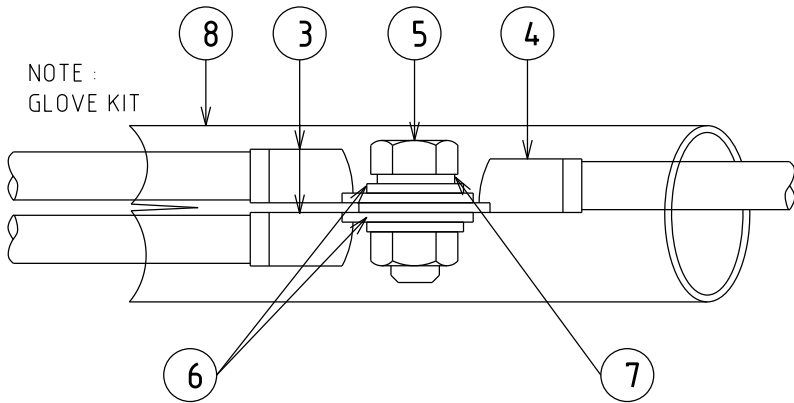
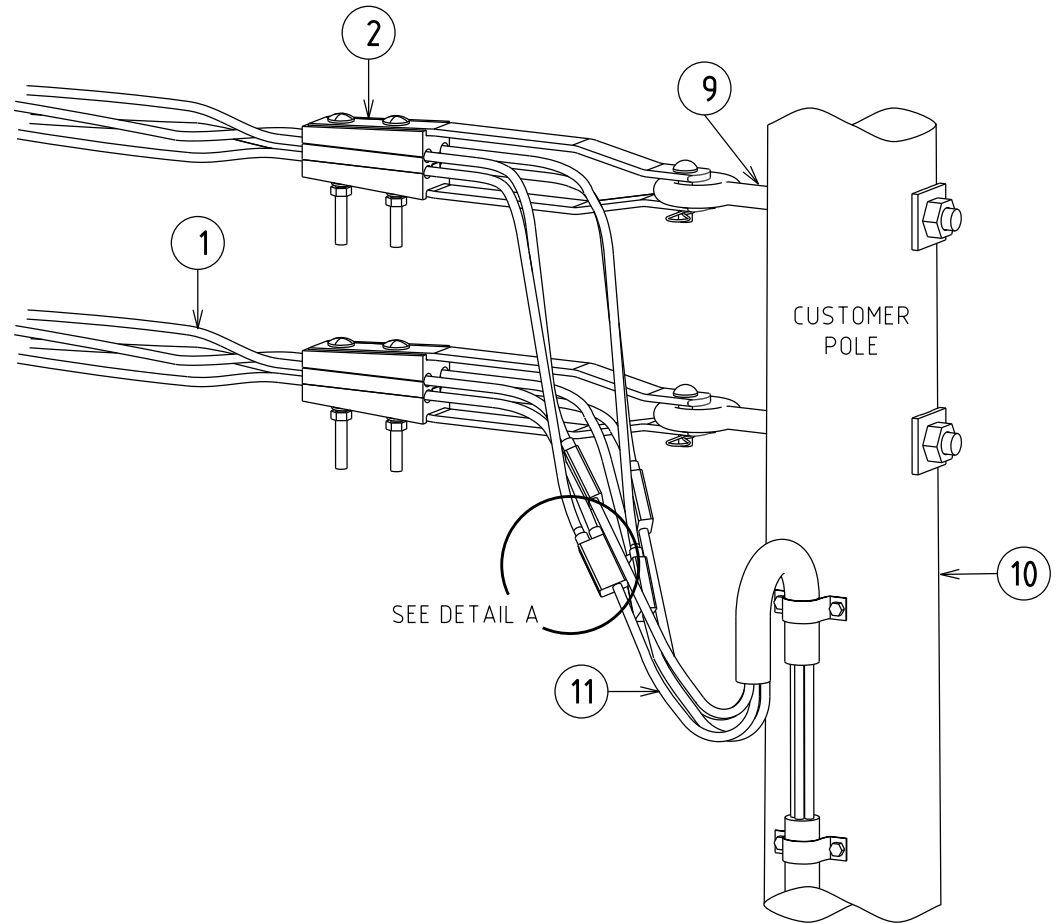


No.	DESCRIPTION	STOCK	QTY
1	CABLE - 4x95mm <sup>2</sup> AL ABC XLPE	67959	A/R
2	CLAMP - CABLE STRAIN 4 CORE 95mm <sup>2</sup> XLPE	176652	2
3	EYELUG - 95mm <sup>2</sup> ABC	58743	8
4	EYELUG - CUSTOMER CABLE	TBD	4
5	BOLT - M12x35mm, HEX. STAINLESS STEEL	45021	4
6	WASHER - M12, FLAT, STAINLESS STEEL	49429	8
7	WASHER - M12, SPRING, STAINLESS STEEL	143859	4
8	HEATSHRINK - 2 TO 1 GLOVE KIT	90324	4
9	EYEBOLT - M16, LENGTH TO SUIT	N/A	2
10	POLE - STEEL, CUSTOMER AS PER SERVICE & INSTALLATION RULES OF NSW	66571	2
11	CONSUMER MAINS	-	1



DETAIL A



CAD DRAWING DO NOT MANUALLY AMEND AMENDMENTS	DWN: PATRICIA RIOS	APP'D: BRETT GRENFELL
	CHKD: JOHN VINCENT	
2	DATE: 02/06/2008	3
	ARRANGEMENT MODIFIED. TABLE AMENDED.	
	DWN: GARRY CRAIG	
	CHKD: GARRY CRAIG	
	DATE: 11/11/2013	
	AUSGRID BORDER APPLIED.	
	APP'D: GRANT BAILEY	


**NETWORK STANDARD**  
**Ausgrid**  
 145 NEWCASTLE RD  
 WALLSEND NSW 2287  
 PHONE: 4951 9388  
 FAX: 4591 9389

DESIGNED	ROBERT KNOWLES
DRAWN	PATRICIA RIOS
CHECKED	ROBERT KNOWLES
AUTHORISED	GREG SKINNER
DATE	02/07/04
SCALE	NTS
MAP REF.	
LGA	

**STANDARD CONSTRUCTION**  
**400AMP 3 PHASE**  
**SERVICE CONNECTION**  
**STEEL CUSTOMER POLE**

PROJECT No.	NET-STD
PROJTRAK No.	-
Sheet 01 of 1 Sheets	
A4	164378
	3