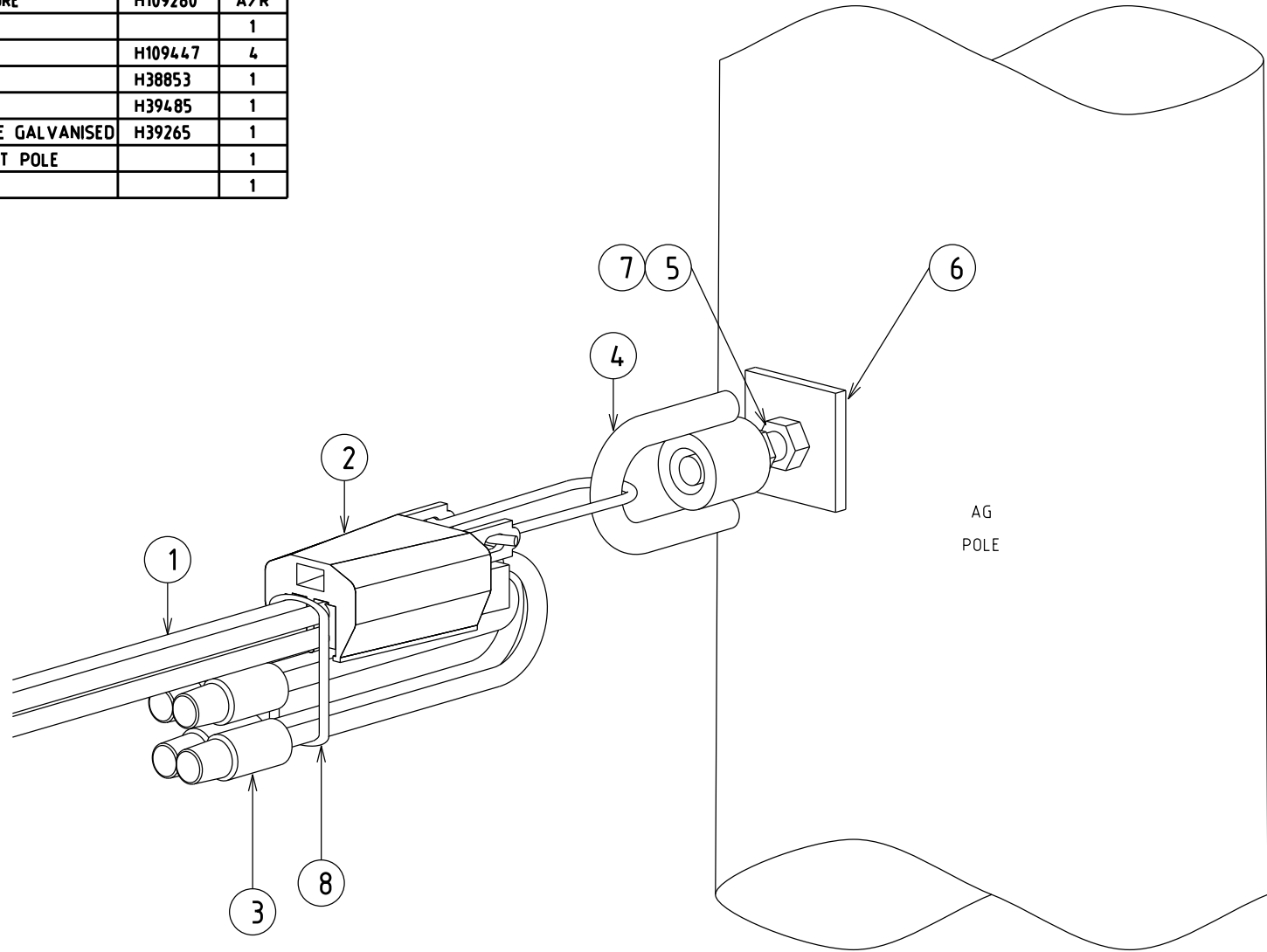


No.	DESCRIPTION	STOCK	QTY
1	IN-SPAN CABLE - 4x25mm <sup>2</sup> AL XLPE ABC. 4 CORE	H109280	A/R
2	CLAMP - STRAIN CLAMP 4 CORE 25mm <sup>2</sup>		1
3	ENDCAP - PUSH ON 25mm <sup>2</sup>	H109447	4
4	EYENUT - M20 GALVANISED	H38853	1
5	NUT - M20 GALVANISED	H39485	1
6	WASHER - SQUARE 50x50x6mm Ø22 HOLE GALVANISED	H39265	1
7	BOLT - M20, GALVANISED, LENGTH TO SUIT POLE		1
8	CABLE TIE		1

NOTE :  
THIS DRAWING IS TO BE READ  
IN CONJUNCTION WITH DRG : 192104



CAD DRAWING DO NOT MANUALLY AMEND AMENDMENTS	DWN: PATRICIA RIOS	APP'D: BRETT GRENFELL
	CHKD: JOHN VINCENT	
	DATE: 22/05/2008	
	ITEM 8 ADDED.	
4	DWN: GARRY CRAIG	APP'D: GRANT BAILEY
	CHKD: GARRY CRAIG	
	DATE: 08/11/2013	
	AUSGRID BORDER APPLIED.	
5		

NETWORK STANDARD  
**Ausgrid**  
145 NEWCASTLE RD  
WALLSEND NSW 2287  
PHONE: 4951 9388  
FAX: 4591 9389

DESIGNED	ROBERT KNOWLES
DRAWN	PATRICIA RIOS
CHECKED	ROBERT KNOWLES
AUTHORISED	GREG SKINNER
DATE	02/07/04
SCALE	NTS
MAP REF.	
LGA	

STANDARD CONSTRUCTION  
100AMP OPEN WIRE MAINS  
SUSPENDED SERVICE - IN SPAN  
POLE END TERMINATION

PROJECT No.	NET-STD
PROJTRAK No.	-
Sheet 01 of 1 Sheets	
A4	152487
	5