

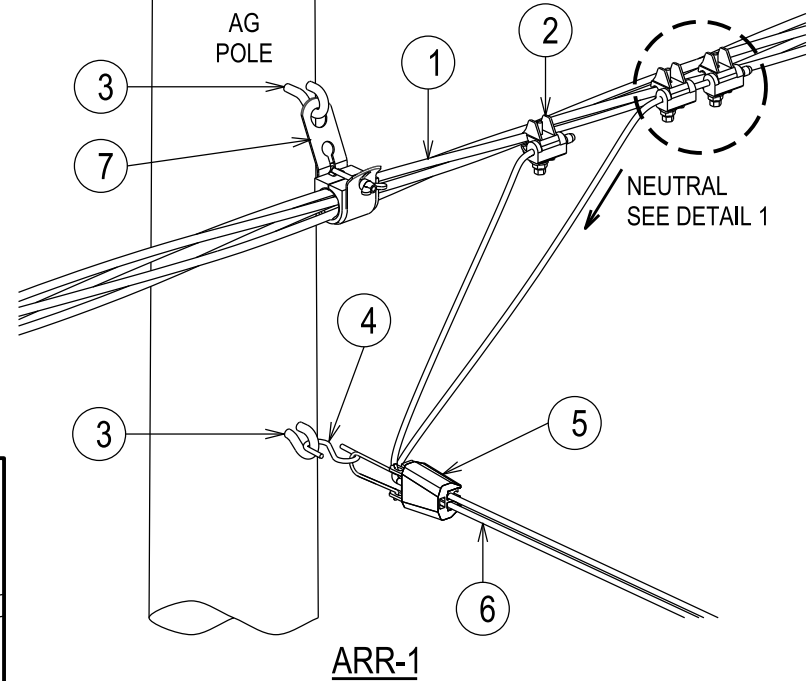
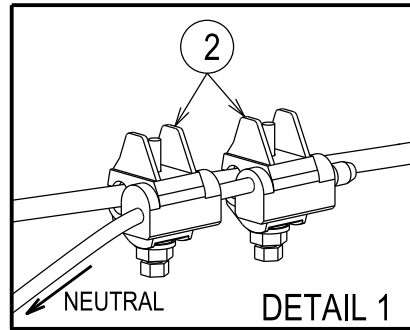
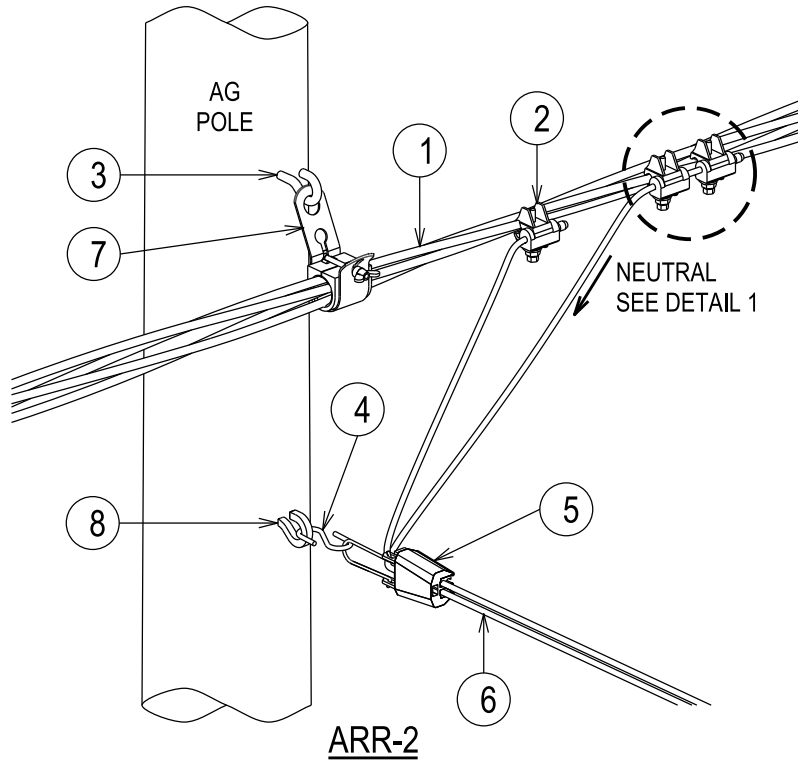
No.	DESCRIPTION	STOCK		QTY	
		95mm ²	150mm ²	ARR-1	ARR-2
1	MAINS CABLE - 4 CORE 95/150mm ² XLPE ABC	67959	TBD	A/R	A/R
2	CONNECTOR - IPC, 95-25/150-95mm ²	73593	143891	3	3
3	SCREW - COACH HOOK M12x146mm	H75697	H75697	2	1
4	LINK - WEAK CONNECTING	H81976	H81976	1	1
5	CLAMP - STRAIN CLAMP 4 CORE 25/95mm ²	H102491	H102491	1	1
6	SERVICE CABLE - 2x25mm ² XLPE	H109298	H109298	A/R	A/R
7	CLAMP - CABLE SUSPENSION	63057	63057	1	1
8	HOOK - 'J' SPIKE	1370	1370	-	1

NOTE :

1. CREATE THE NEUTRAL WITH THE GREATEST CABLE SLACKNESS.

2. LOW VOLTAGE DISTRIBUTION MAINS CAN BE :

- SUSPENSION OR,
- THROUGH STRAIN OR,
- TERMINATION



CAD DRAWING.
DO NOT MANUALLY AMEND
A M E N D M E N T S
DWN: PATRICIA RIOS
CHKD: HIRI EHAMPARAM
DATE: 07/05/2014
NEUTRAL CONNECTION
CHANGED, DETAIL 1
ADDED, MATERIAL LIST
AMENDED.
APPD: MATTHEW CUPPLES

NETWORK STANDARD
Ausgrid
145 NEWCASTLE RD
WALLSEND NSW 2287
PHONE: 4951 9388
FAX: 4951 9389

DESIGNED	ROBERT KNOWLES
DRAWN	PATRICIA RIOS
CHECKED	ROBERT KNOWLES
AUTHORISED	GREG SKINNER
DATE	02/07/04
SCALE	NTS
MAP REF.	
LGA	

STANDARD CONSTRUCTION
100AMP ABC MAINS
SUPPORT FROM POLE - 1 PHASE

PROJECT No.	NET-STD
PROJTRAK No.	-
Sheet 01 of 1 Sheets	
A4	152474 6