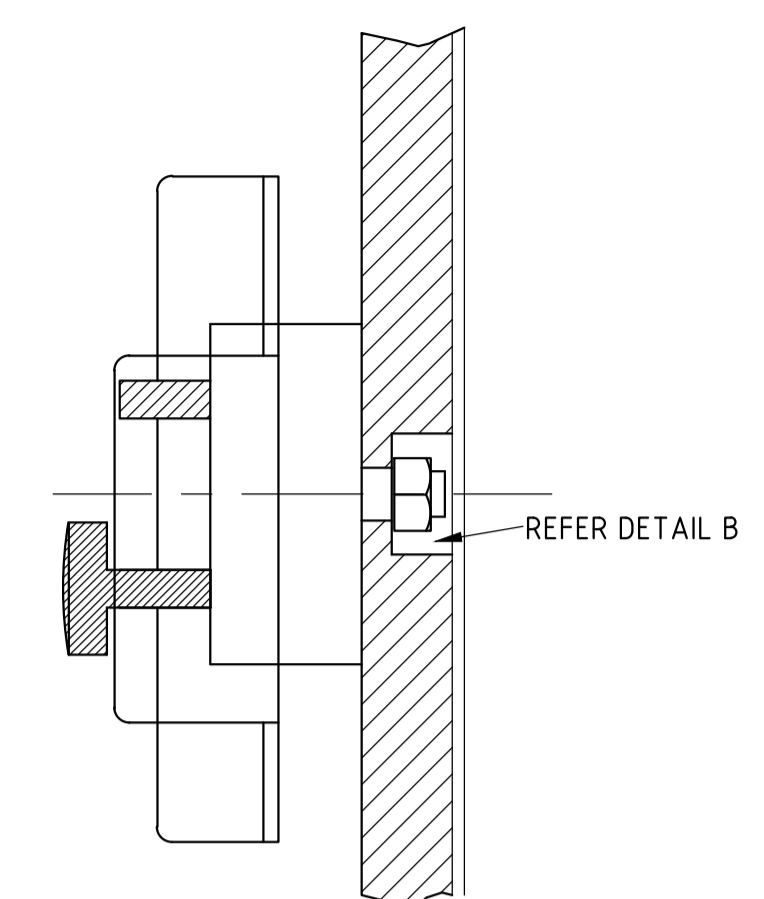
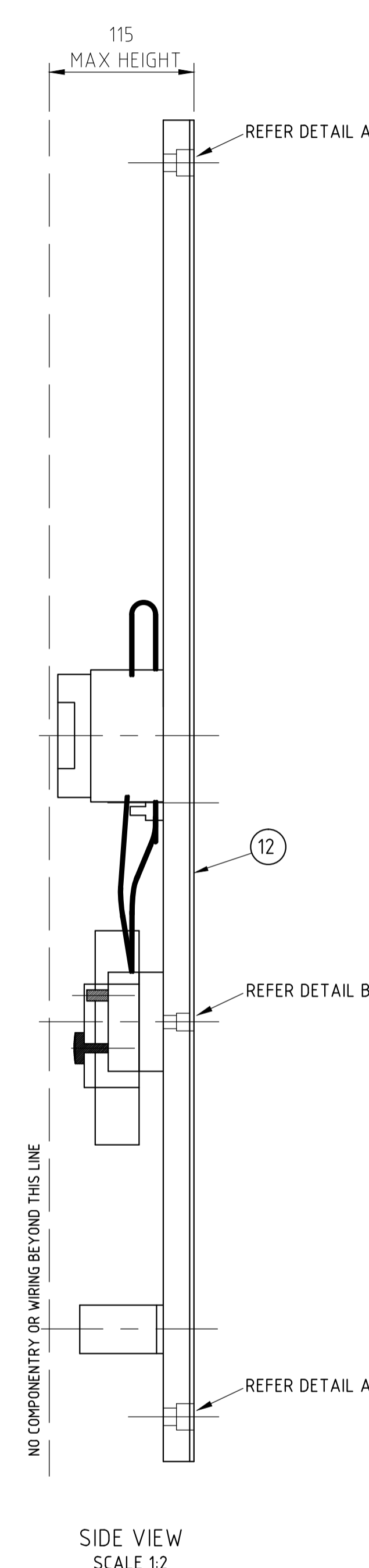
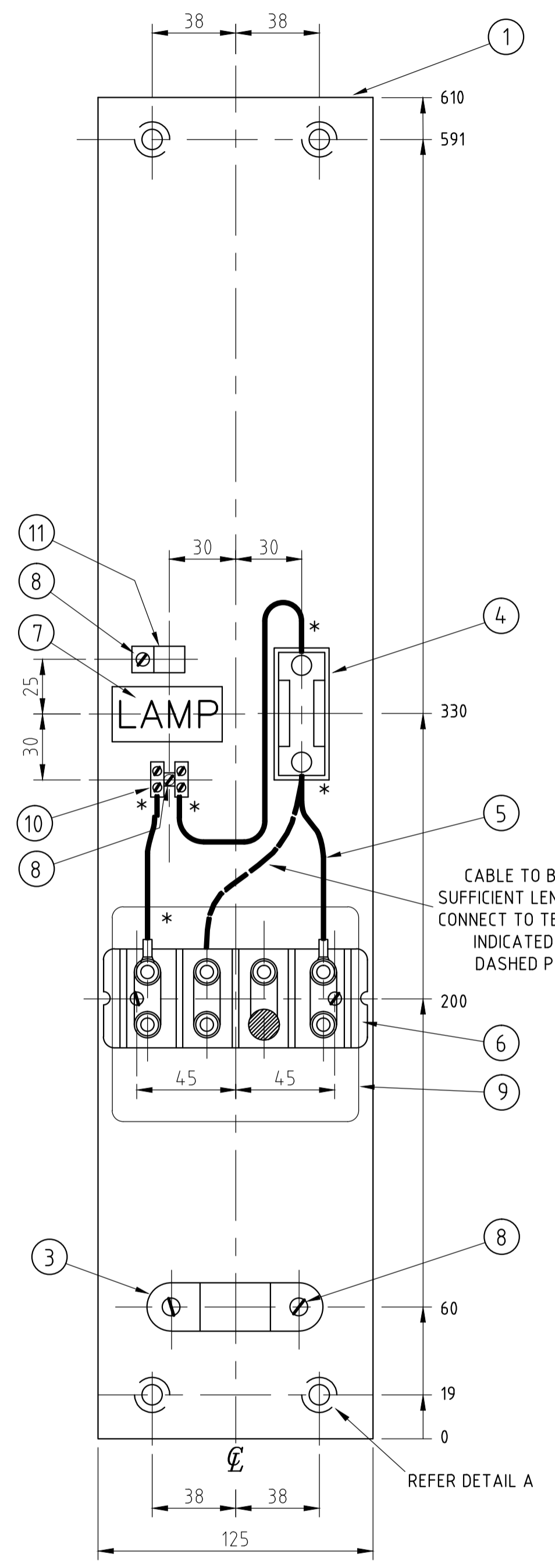
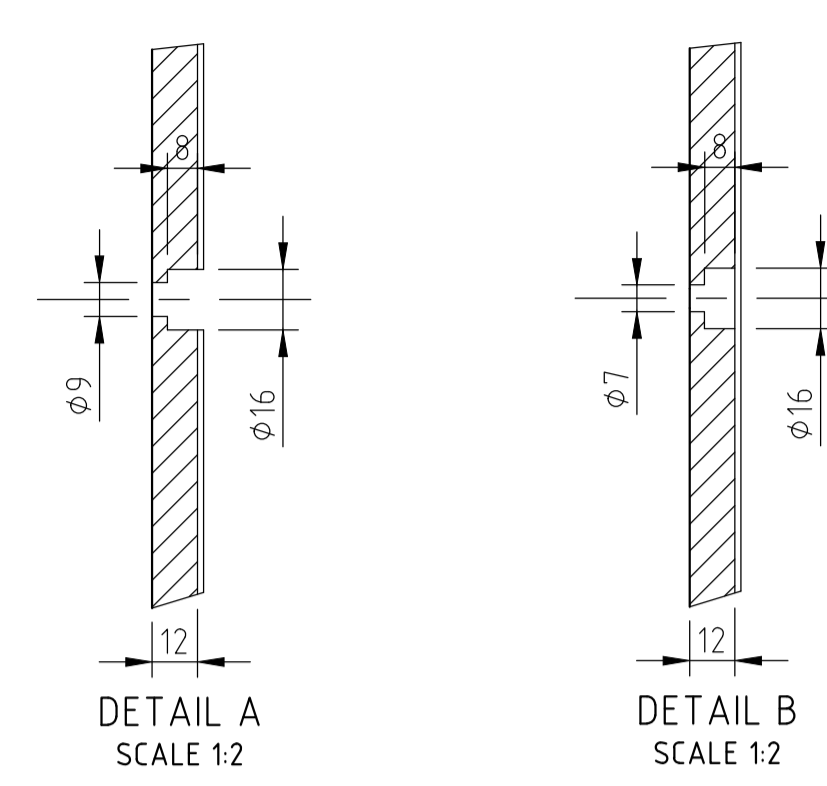


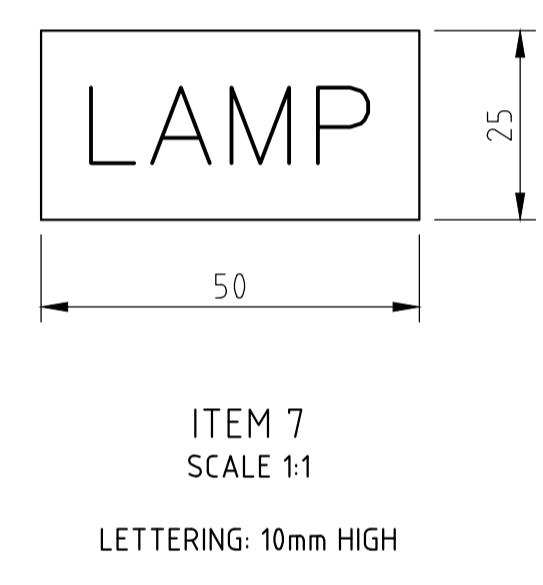
REFERENCE DRAWINGS		
4 WAY MOULDED TERMINAL BLOCK - 0BA STUD FOR STREET LIGHTING STANDARDS		40980
MODIFIED ROCKS STYLE LIGHTING COLUMNS (IN GROUND & BPM)		63060
ROCKS STYLE LIGHTING COLUMN ARRANGEMENT & DETAILS		53942
STEEL POST TAP COLUMN, IN GROUND MOUNTED		66271
STEEL CURVED BRACKET ARM COLUMNS - IN GROUND MOUNTED		66272
STEEL CURVED BRACKET ARM COLUMNS - BASE PLATE MOUNTED		66273
STEEL COLUMNS WITH 4.5M OR 6M OUTREACH - IN GROUND MOUNTED		66637
STEEL COLUMNS WITH 4.5M OR 6M OUTREACH - BASE PLATE MOUNTED		115041



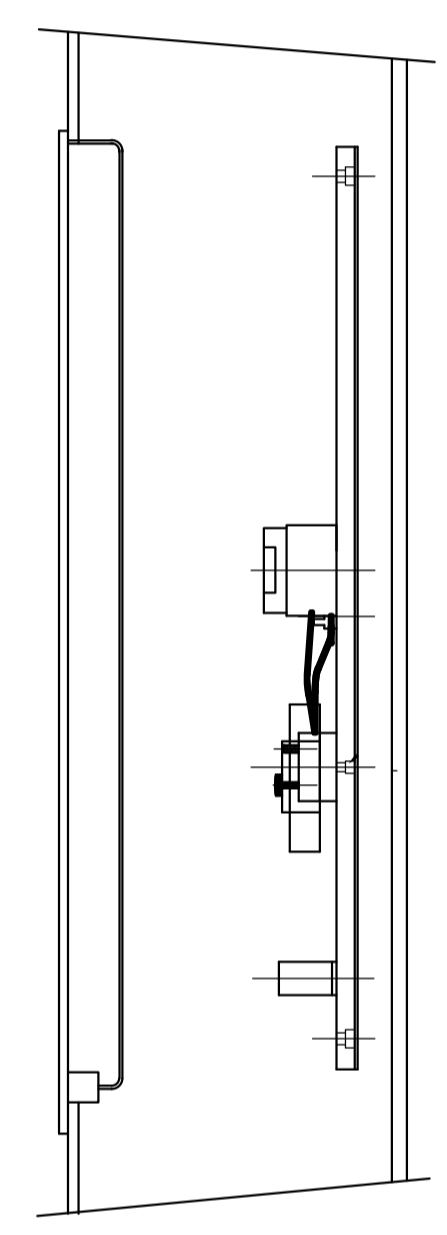
MOUNTING ARRANGEMENT FOR FOUR WAY TERMINAL BLOCK  
SCALE 1:1



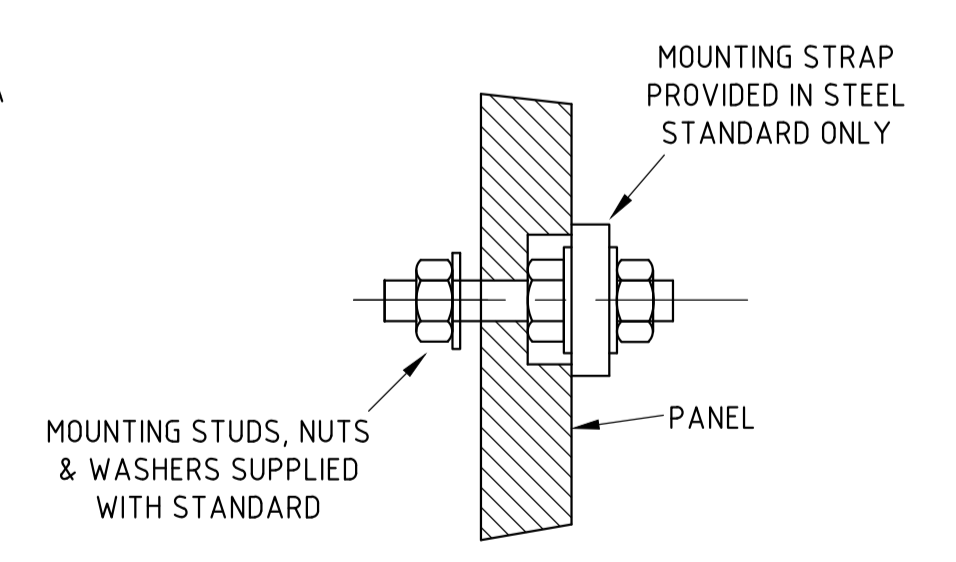
DETAIL A SCALE 1:2  
DETAIL B SCALE 1:2



ITEM 7 SCALE 1:1  
LETTERING: 10mm HIGH



LINK PANEL SHOWN MOUNTED IN STEEL LAMP STANDARD  
SCALE 1:5



MOUNTING ARRANGEMENT FOR STEEL STANDARD  
SCALE 1:1

**NOTES**

- THIS DRAWING IS TO BE READ IN CONJUNCTION WITH NETWORK STANDARD 119.
- WIRING AND COMPONENTRY MUST NOT PROJECT BEYOND THE EDGE OF THE PANEL, NOR EXCEED THE HEIGHT LIMIT SHOWN.
- THE FRONT CONNECTED FUSE (ITEM 4) ARE TO BE SECURED TO THE PANEL (ITEM 1) BY MEANS OF SELF TAPPING SCREWS.
- THE ACTIVE TERMINAL SHALL BE TAKEN AS THAT ON THE FAR RIGHT OF THE 4 WAY TERMINAL BLOCK. THE NEUTRAL SHALL BE TAKEN AS THAT ON THE FAR LEFT OF THE 4 WAY TERMINAL BLOCK.
- ALL WIRING BETWEEN THE 4 WAY TERMINAL BLOCK FOR THE INCOMING SUPPLY AND THE 2 WAY TERMINAL BLOCK FOR CONNECTION TO THE LAMP, INCLUDING THE FUSE AND CHOKE, SHALL BE SO CONSTRUCTED AND RESTRAINED PERMANENTLY AS TO COMPLY WITH THE REQUIREMENTS OF CLAUSE 5.4.7 OF AS3100. THE PROVISION OF THIS NOTE DO NOT APPLY TO WIRING WHERE CONNECTED DIRECTLY TO THE ACTIVE TERMINAL ON THE 4 WAY TERMINAL BLOCK. TYPICALLY RESTRAINED WIRING SHALL BE RESTRAINED WHERE INDICATED THUS
- THE REAR INSULATING PANEL COVER (ITEM 12) TO BE GLUED TO THE BACK OF THE PANEL AFTER ALL THE ACCESSORIES HAVE BEEN SECURED ONTO THE FRONT OF THE PANEL. \*
- SELF TAPPING SCREWS SHALL BE ASSEMBLED INTO PILOT HOLES. SCREWS SHALL NOT PENETRATE THE PANEL BY MORE THAN 10mm.

STOCKCODE 150797

ITEM	DESCRIPTION	QUANTITY	MATERIAL
12	PANEL - REAR INSULATING COVER	1	1.6mm S.R.B.P. SHEET (AS-1795 PART 1)
11	CABLE CLAMP	1	UTILUX CAT. No H1509 OR SIMILAR
10	TERMINAL BLOCK	1	CLIPSAL CAT. No BP102
9	COVER	1	UTILUX CAT. No H2517 P.V.C. CLEAR
8	SELF TAPPING SCREW	As Req.	ELECTROPLATED STEEL
7	LABEL - YELLOW ON BLACK	1	PHOTO SENSITIVE SELF ADHESIVE
6	4 WAY TERMINAL BLOCK (TO A3-40980)	1	MOULDED INSULATION
5	PANEL WIRING	As Req.	7/0.67 P.V.C./P.V.C.
4	10A, F/C HRC CLIP IN FUSE & HOLDER.	1	MEM ADV20FF SHROUDED FUSE BASE OR SIMILAR
3	CABLE SADDLE (INTERNAL RADIUS 15mm)	1	NYLON OR PVC
2			
1	PANEL (TO AS-1795 PART 1)	1	12mm FORMICA GRADE SWITCH PANEL
ITEM	DESCRIPTION	QUANTITY	MATERIAL

CAD DRAWING  
DO NOT MANUALLY AMEND  
AMENDMENTS

CONSTRUCTION



SCALE DESIGNED	AS SHOWN
DRAWN	J.BEDDING
CHECKED	P.JARVIS
APPROVED	J.BEDDING
DATE	6.5.16
PROJECT NUMBER	OPEX 6568-1-1-6
PROJTRAK NUMBER	

LINK PANEL FOR STREET LIGHTING STANDARDS

SIZE A1 DRAWING No 228838 SHEET 1 OF 0