

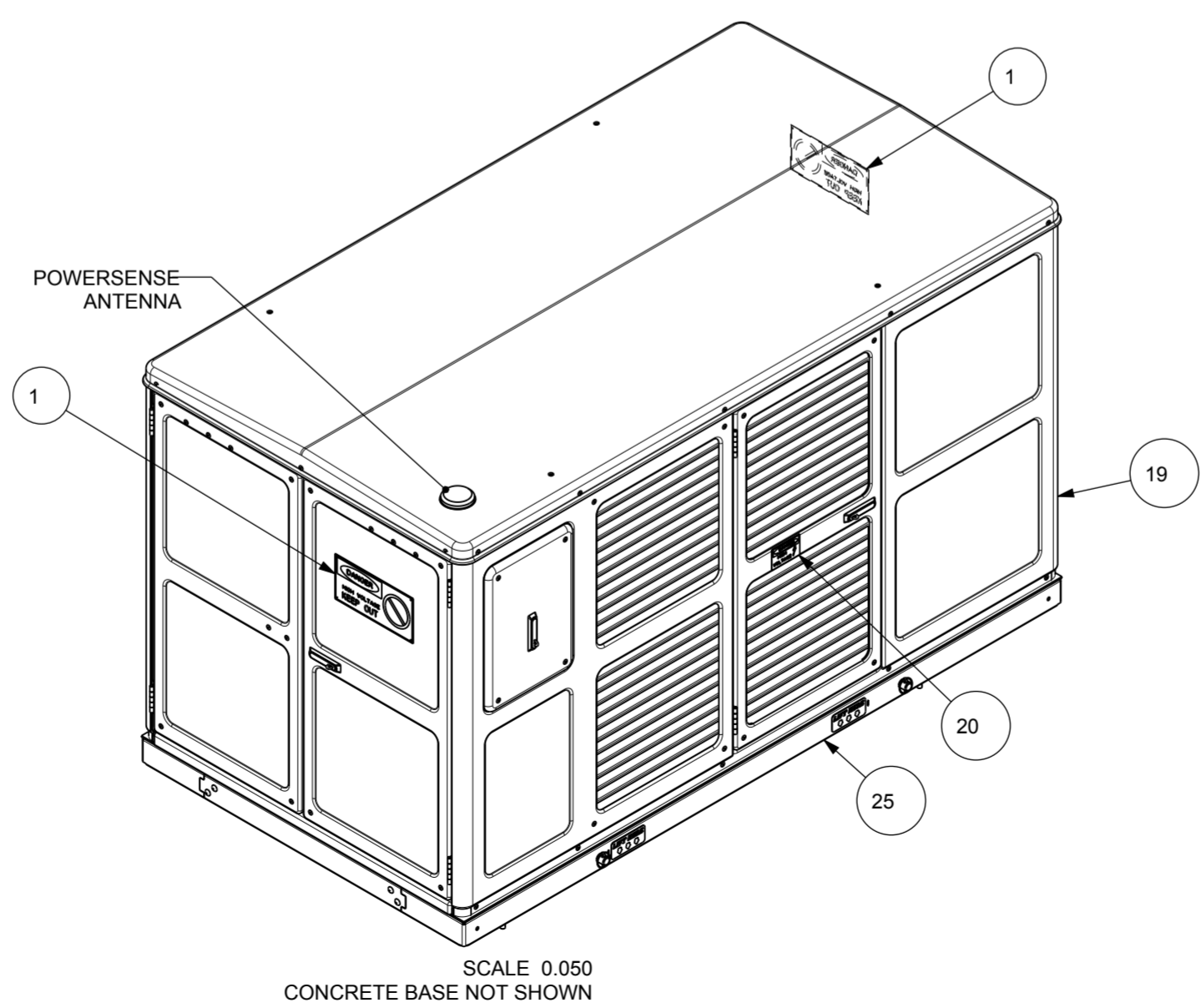
SUMMARY OF MASS:-		
TRANSFORMER OIL VOL.	787	Ltrs.
TRANSFORMER TOTAL	3279	kg.
ENCLOSURE	100	kg.
CHANNEL BASE	100	kg.
L.V. SWITCHGEAR	250	kg.
H.V. SWITCHGEAR	350	kg.
KIOSK TOTAL	4029	kg.
CONCRETE BASE	2000	kg.
TOTAL MASS	6029	kg.

PAINT
 TRANSFORMER - STROM GREY N42
 ENCLOSURE - RAIN FOREST GREEN G15

242582_01r00

REFERENCE DRAWING LIST	
DESCRIPTION	DRAWING NUMBER
ABB JB TO POWERSENSE WIRING DIAGRAM	EAV3531701
POWERSENSE TERMINATION DIAGRAM	EAV6115400

REV	DATE	DETAILS OF REVISION	DRAWN	CHKD	APPR
07	23/10/15	ECN 1440: ISSUED FOR CONSTRUCTION. 1600A was 1200A. Refer table on sheet 2	MJ	AS	TAS
06	08-01-15	DETAIL "B" ADDED, REFER SHEET 2/2. UPDATED DRG. ON CUSTOMER FEEDBACK. ECN# 1283.	DS	AS	TAS
05	14-11-14	MASS PLATE ADDED AT TX. LEVEL.	DS	MJ	TAS
04	19-02-14	SAFELINK PLINTH HT. REDUCED BY 25MM TO ACCESS HORTSMN EFI & CONDUIT REPOSITIONED TO CLEAR SIDE ACCESS PANEL OF SAFELINK.	DS	AS	TAS
03	18-12-13	POWERSENSE TERM. DIAGRAM WAS S1B2135000.	DS	AS	TAS
02	21-10-13	TRANSFORMER CHANGED TO NEW NUMBER	AA	SH	GA
01	24-09-13	HV CABLE SUPPORT TRAY ADDED.	DS	AS	TAS
00	15-04-13	RELEASED FOR MANUFACTURE	PK	TS	LC



1	31	T/C, ROTARY 33KV, 9POS, 60A, GAMEX	TCR060A9P3PH
1	30	BATTERY BOX	SCHNEIDER-BATTBOX
2	29	CABLE CLEATS MOUNTING PLATES	S1B4480301
1	28	EARTH BAR LINK	S1B2305001
1	27	MAIN EARTH BAR	S1B1969801
1	26	EARTH BAR LINK	S1B1969601
1	25	FINAL ASSEMBLY OF CHANNEL BASE	S1B1682701
1	24	ENCLOSURE WALL	S1A9972901
1	23	POWERSENSE BOX	POWERSENSE
1	22	HD SP BACK ENTRY PLUG 10A WHI	PDL905WH
1	21	BUSHING PAD RESIN 1700 AMP 380	PAD1000-1
1	20	LABEL - HIGH VOLTAGE	LAB5279
1	19	ENCL ASSY FIBREGLASS FOR L RANGE	KEAKLENC-BOL-V4
1	18	OIL PRESENCE INDICATOR	IND5026
1	17	EA Kiosk board KL 4/4/4/4+DMA	EZE107_MIGXX
1	16	EARTH BAR TO SAFELINK	EAV8360201
6	15	HV CABLE SUPPORT	EAV7314501
1	14	HV CABLE SUPPORT PLATE	EAV4348501
1	13	CAP ALUM 130DIA HERM / SEAL	CAPAL130
3	12	SURGE ARRESTOR AK POWER SOLUTIONS 5KA	BSH5122
3	11	BUSH WELL 33KV, 200 A, TO SUIT ELAST. K1501-A1	BSH2023
3	10	INSERT 22KV, 200A, ELASTIMOLD K1501-A1	BSH1664
1	9	BAFFLE BOTTOM HV	BAU1521901
1	8	CABLE TRAY - BATTERY MOUNTING PLATE ASSLY	BAU1202801
1	7	SAFELINK MOTORISED C/W F+F3 EFI 12kV	ABB-SAFELINK2-EFI
1	6	CONCRETE BASE	6675359C
1	5	BRACKET - SAFELINK2 CONDUIT	6669731401
1	4	TANK FINISH AUSGRID KL 1000KVA	5505150801
1	3	NAME PLATE 1000KVA 11/0.433kV Dyn1 +3 to -5 in 1.5% STEPS	4943263001
1	2	MASS PLATE KL 1000 kVA	4942191801
2	1	SIGN DANGER-HIGH VOLT KEEP OUT	4942122-9
QTY.	ITEM	DESCRIPTION	PART NO.

Scale: 0.075	Tolerancing Standard: ISO 2768cL ISO 8015	Units of measure: millimeter
--------------	---	------------------------------

Schneider Electric
 AUSGRID KL GENERIC GA FOR 1000 KVA
 CONTRACT # AG2869/11, ITEM # 29 TO 33

Number: HRB8881202	Revision: 07	Sheet: 1/2
--------------------	--------------	------------

The information is highly confidential and is the exclusive property of Schneider Electric Group. Copyright reserved. This drawing must not be used for any purpose other than that expressly permitted in writing by the owners and must not be disclosed or reproduced in any way without permission from the owners in writing. This drawing must be returned to the owners when the purpose has ceased.