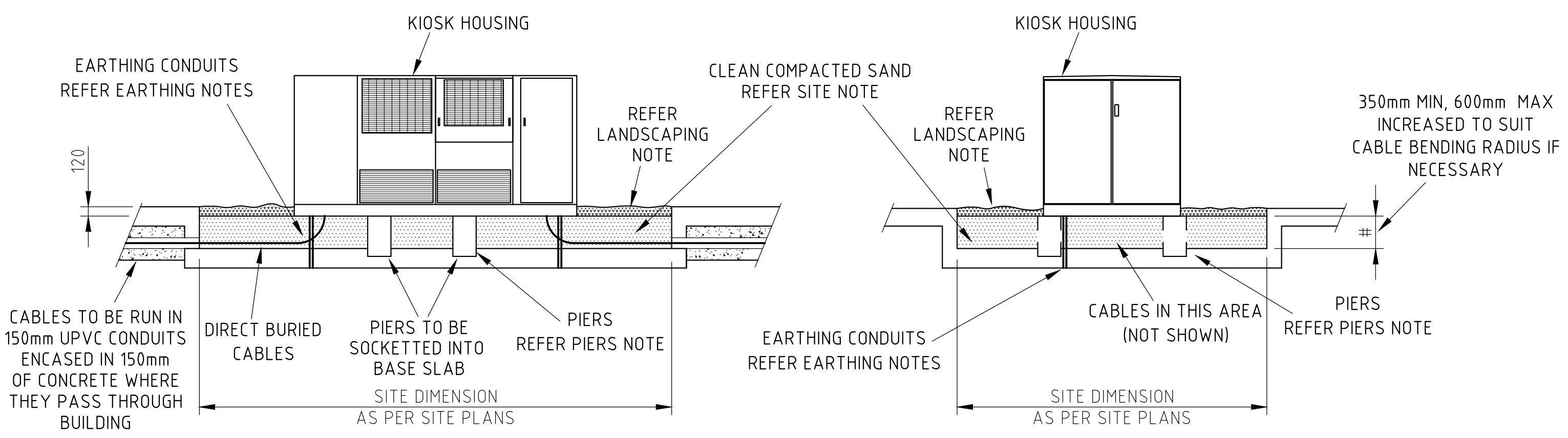
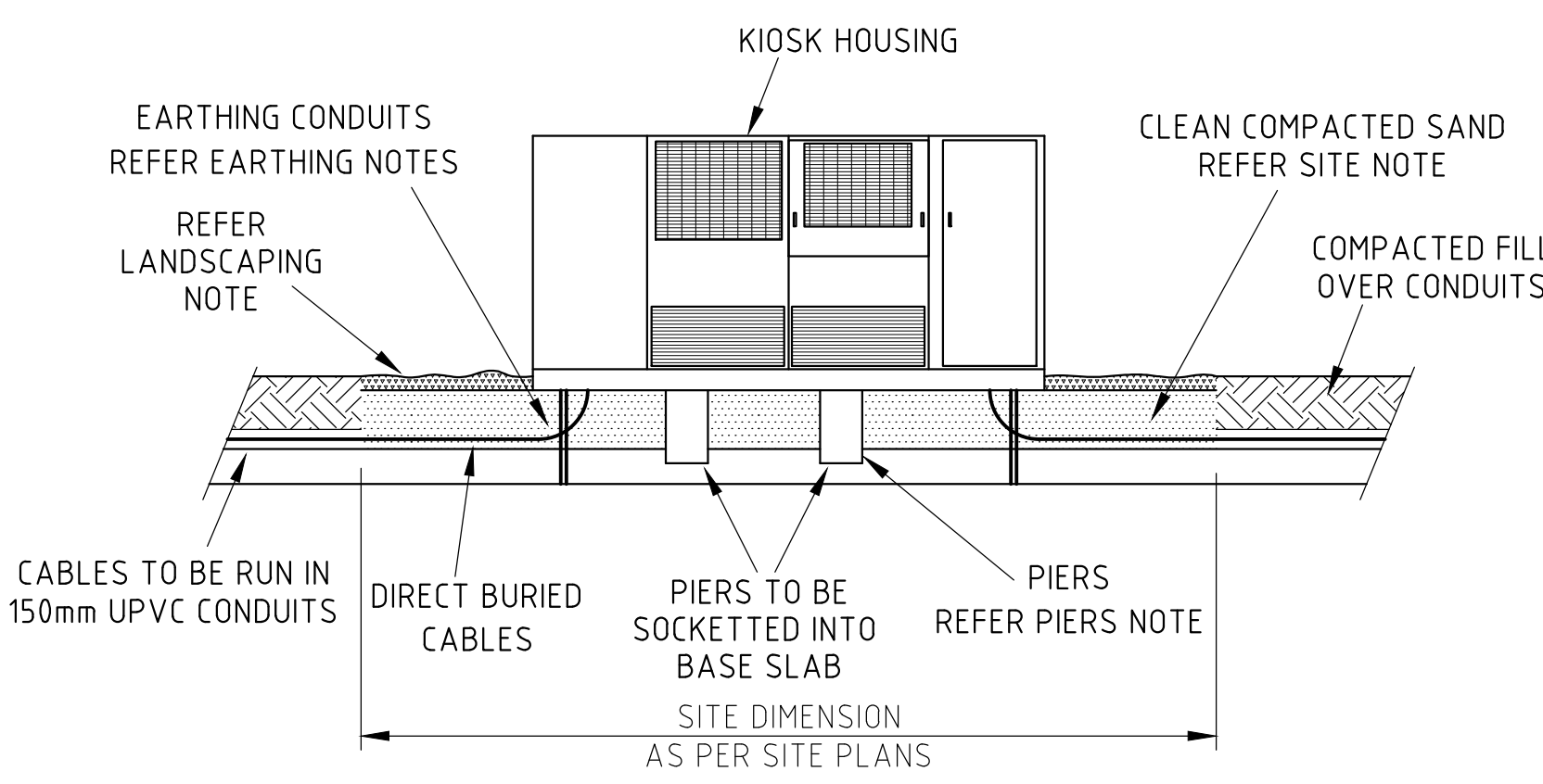


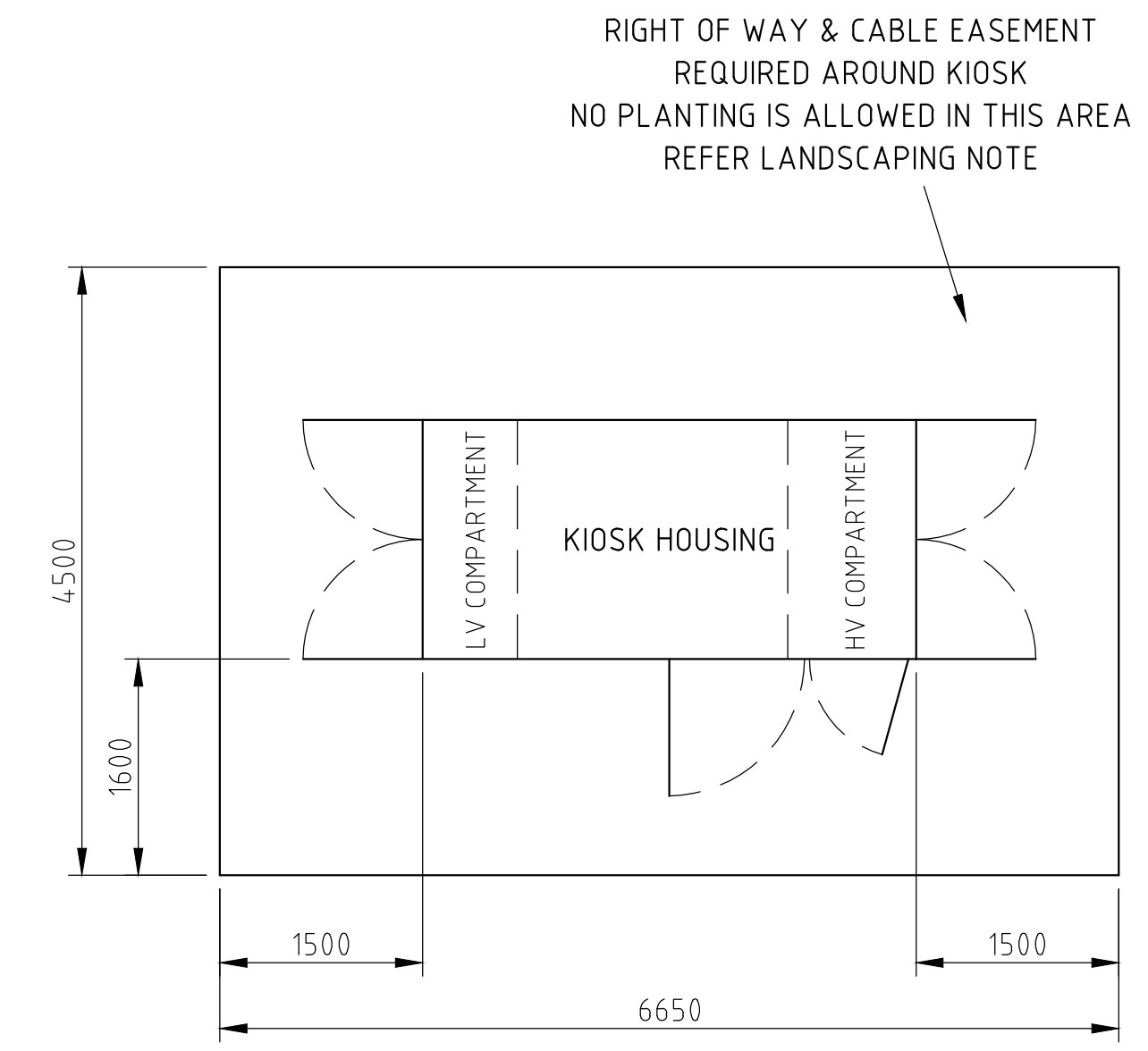
**OPTION 1**  
**INSTALLATION DIRECT ON GROUND**  
Scale 1:50



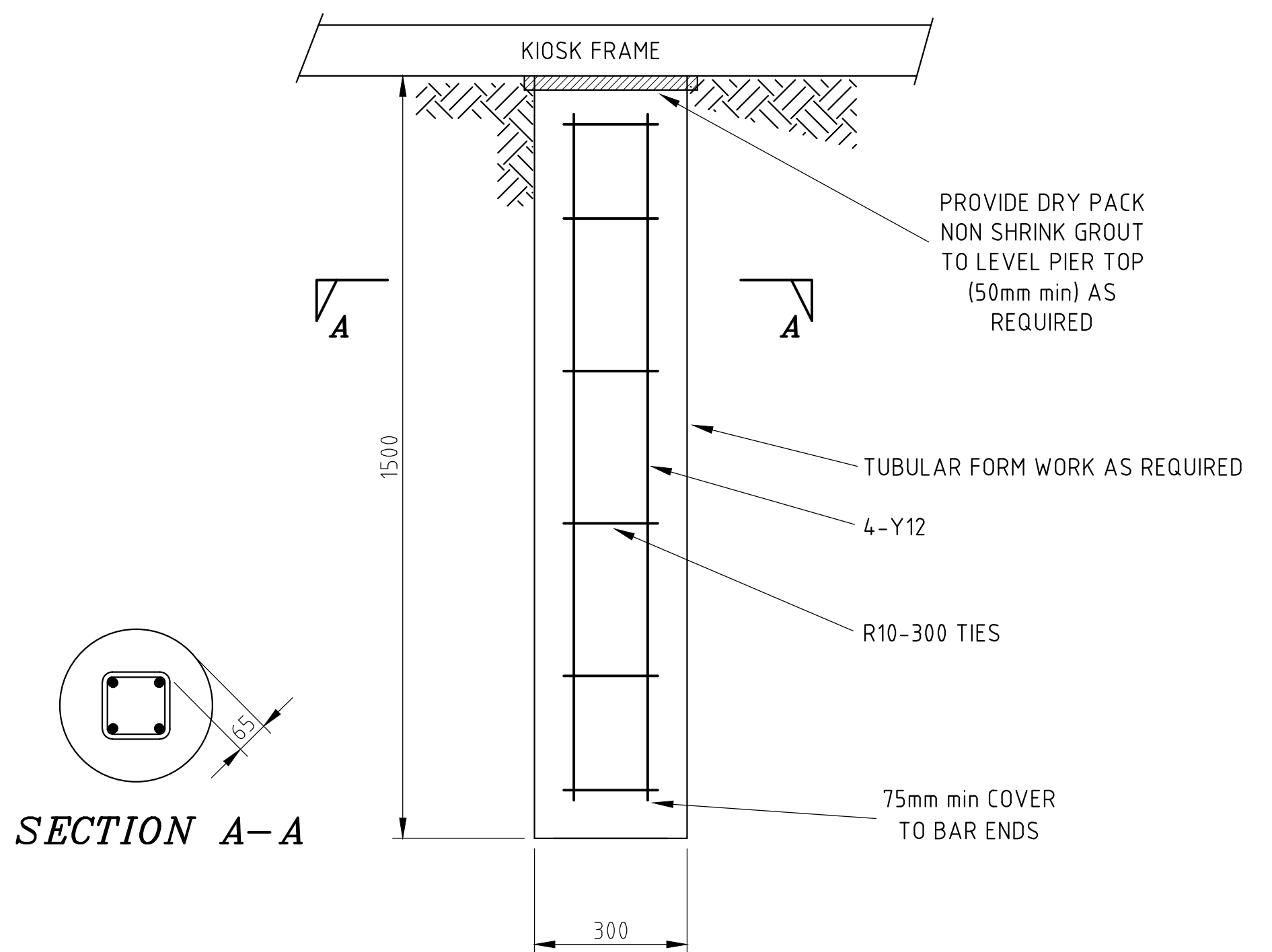
**OPTION 2a**  
**INSTALLATION OVER A SUPPORTING STRUCTURE**  
Scale 1:50



**OPTION 2b**  
**INSTALLATION OVER A SUPPORTING STRUCTURE**  
Scale 1:50

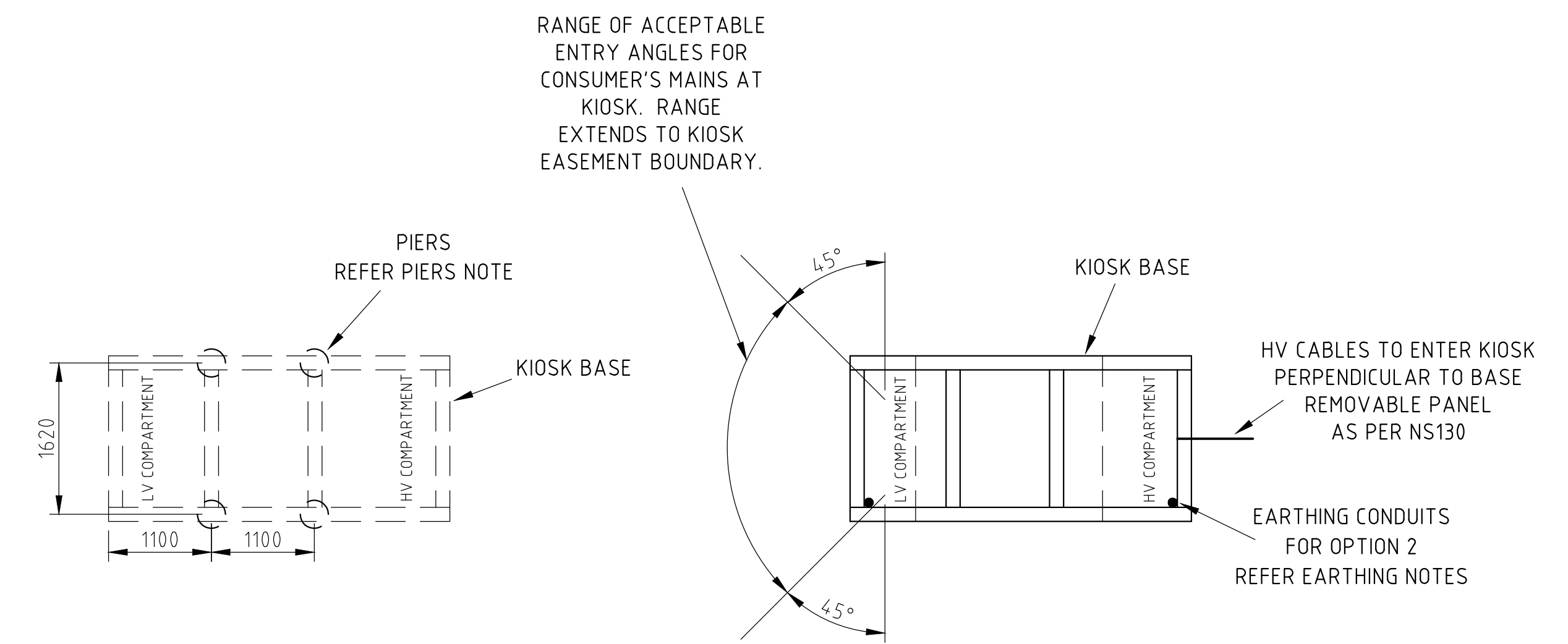


**SITE PLAN**  
Scale 1:50



**TYPICAL REINFORCED PIER**  
Scale 1:10

THE PIER SHOWN ABOVE IS TYPICAL ONLY AND MAY NOT BE SUITABLE FOR THE KIOSK INSTALLATION BEING PROPOSED. REFER TO PIERS NOTE FOR FURTHER INFORMATION



**PIER LAYOUT**  
Scale 1:50

**CABLE ENTRY TO KIOSK BASE**  
Scale 1:50

**NOTES**

**SITE**  
ALL DIMENSIONS SHOWN ARE MINIMUM REQUIREMENTS. THE SITE MUST BE LEVEL AND CLEAR OF ALL CONSTRUCTION AND ACCESSIBLE FOR EQUIPMENT INSTALLATION AND MAINTENANCE. NO SERVICES SUCH AS DRAINS, HIGH OR LOW PRESSURE PIPES, ELECTRICAL OR COMMUNICATION CABLES, WATER PIPES etc ARE TO BE LOCATED WITHIN THE AREA SHOWN ON THE SITE PLAN. ANY FILL USED WITHIN THE AREA SHOWN ON THE SITE PLAN IS TO BE CLEAN COMPACTED SAND.

**ACCESS**  
PROVISION MUST BE MADE FOR ALL WEATHER ACCESS TO THE KIOSK SITE BY HEAVY MOBILE CRANE AND TRUCK. WHERE STEPS ARE REQUIRED FOR PERSONNEL ACCESS, THEY MUST BE PROVIDED EXTERNAL TO THE KIOSK SITE.

**PIERS**  
PIERS ARE TO BE CONSTRUCTED IN THE LOCATIONS SHOWN FOR ALL KIOSK SITES. THE PIERS SHOWN ON THIS DRAWING WILL BE SUITABLE. FOR USE AT MOST SITES, HOWEVER AT SOME SITES WHERE THE GROUND IS FOUND TO BE FILLED OR UNSTABLE, PIERS ARE TO BE DESIGNED BY A QUALIFIED AND PRACTISING STRUCTURAL ENGINEER TO CARRY A TOTAL LOAD OF 6500kg. VERIFICATION IS ALSO REQUIRED THAT THE BEARING OF ANY PIER USED ON THE KIOSK SITE AT ITS FOUNDATION DEPTH HAS A CAPACITY OF 300kPa. DRAWINGS OF THE KIOSK SITE AND PIERS ARE TO BE SUBMITTED BEFORE CONSTRUCTION COMMENCES.

**EARTHING**  
EARTHING IS TO BE INSTALLED AFTER THE SITE IS CLEARED AND PIER CONSTRUCTION COMPLETED. TYPICAL EARTHING DETAILS FOR KIOSK SUBSTATIONS ARE SHOWN ON DRAWINGS 167433 AND 173990. HOWEVER INFORMATION SHOWN ON THESE DRAWINGS IS INDICATIVE ONLY AS EACH KIOSK SITE REQUIRES A SPECIFIC EARTHING DESIGN TO BE UNDERTAKEN AS INDICATED IN NETWORK STANDARD NS116. EARTHING FOR SITES USING OPTIONS 2a AND 2b IS TO BE UNDERTAKEN USING THE METHODS SHOWN ON DRAWING 25121 FOR EARTHING CONDUITS AND EARTH ROD INSTALLATION UNDER ANY CONCRETE FLOOR.

**CABLE AND CONDUIT INSTALLATION**  
CABLES AND CONDUITS ARE TO BE INSTALLED TO NETWORK STANDARD NS130. WHERE THE COVER CANNOT BE ACHIEVED OR THE CABLES PASS UNDER AN AREA WHICH CANNOT BE READILY EXCAVATED IN THE FUTURE, A BANK OF Ø125mm ORANGE LD RIGID UPVC PIPE CONFORMING TO AS 2053 PART 2, MAY BE REQUIRED TO BE INSTALLED TO A 1500mm<sup>2</sup> EXCAVABLE AREA SUITABLE FOR LOCATING CABLE JOINTS. THIS AREA IS TO BE IN A POSITION AGREED BY THE BOTH THE BUILDER AND AUSGRID. WHERE CONDUITS SUPPLYING THE KIOSK SUBSTATION PASS UNDER A ROADWAY OR A BUILDING THEY ARE TO BE CONCRETE ENCASED.

**PROTECTION OF KIOSK FROM VEHICLE DAMAGE**  
IT IS THE CUSTOMER'S RESPONSIBILITY TO PROVIDE ADEQUATE PERMANENT PROTECTION IF THE KIOSK IS LOCATED IN THE VICINITY OF AREAS USED BY VEHICLES. ANY FORM OF PROTECTION USED SHOULD MEET THE REQUIREMENTS STATED IN AS/NZ 1170.1 AND CAN TAKE THE FORM OF BOLLARDS OR CRASH BARRIERS. VEHICLE PROTECTION SHOULD BE PLACED ON THE OUTSIDE OF THE KIOSK SITE.

**REINSTATEMENT OF VEHICULAR ROADWAY OR CABLE EASEMENT**  
THE CUSTOMER IS RESPONSIBLE FOR ALL REINSTATEMENT.

**LANDSCAPING THE SITE**  
AFTER THE EQUIPPING CONTRACTOR HAS INSTALLED THE KIOSK AND THE CUSTOMER'S CABLES HAVE BEEN INSTALLED, THE BUILDER MAY COVER THE SUBSTATION AREA WITH EITHER MEDIUM TO LARGE PINE BARK CHIPS, BLUE METAL, LAWN, WOODCHIPS, REMOVABLE PAVERS OR DECORATIVE GRAVEL, TO A DEPTH OF 120mm. PLASTIC SHEETING IS NOT TO BE USED UNDER THE COVER AND NO PLANTING IS ALLOWED IN AREA SHOWN ON THE SITE PLAN.

REFERENCES	
AUSGRID'S NETWORK STANDARDS	NS 0141 NS 0117 NS 0130 NS 0116
KIOSK SUBSTATIONS TYPICAL COMBINED EARTHING DETAILS	167433
KIOSK SUBSTATIONS TYPICAL SEGREGATED EARTHING DETAILS	173990

CAD DRAWING	20110714
DO NOT MANUALLY EDIT	
DATE	14/07/14
BY	P. JARVIS
10. NEW ENGLAND KIOSK	
11. SITE PLAN B BELIEVED	
12. NOTES UPDATED	
TITLE MODIFIED	2012-07-20
BY	P. JARVIS
13. APPROVED	
14. APPROVED	
15. APPROVED	
16. APPROVED	
17. APPROVED	
18. APPROVED	
19. APPROVED	
20. APPROVED	
21. APPROVED	
22. APPROVED	
23. APPROVED	
24. APPROVED	
25. APPROVED	
26. APPROVED	
27. APPROVED	
28. APPROVED	
29. APPROVED	
30. APPROVED	
31. APPROVED	
32. APPROVED	
33. APPROVED	
34. APPROVED	
35. APPROVED	
36. APPROVED	
37. APPROVED	
38. APPROVED	
39. APPROVED	
40. APPROVED	
41. APPROVED	
42. APPROVED	
43. APPROVED	
44. APPROVED	
45. APPROVED	
46. APPROVED	
47. APPROVED	
48. APPROVED	
49. APPROVED	
50. APPROVED	

CONSTRUCTION



SCALE	AS SHOWN
DESIGNED	
DRAWN	
CHECKED	
APPROVED	
DATE	14/07/14
PROJECT NUMBER	
PROJ/TRAK NUMBER	

TYPE "K" KIOSK LAYOUT OPTION PLAN	
SIZE	B1
DRAWING No	151190
SHEET	1
ANO	12