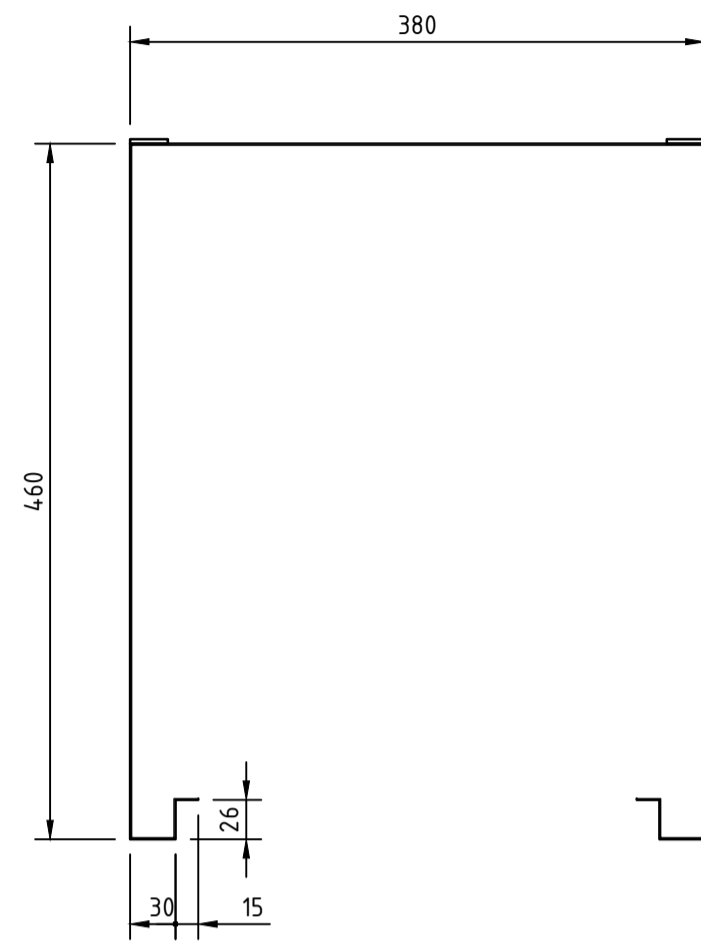
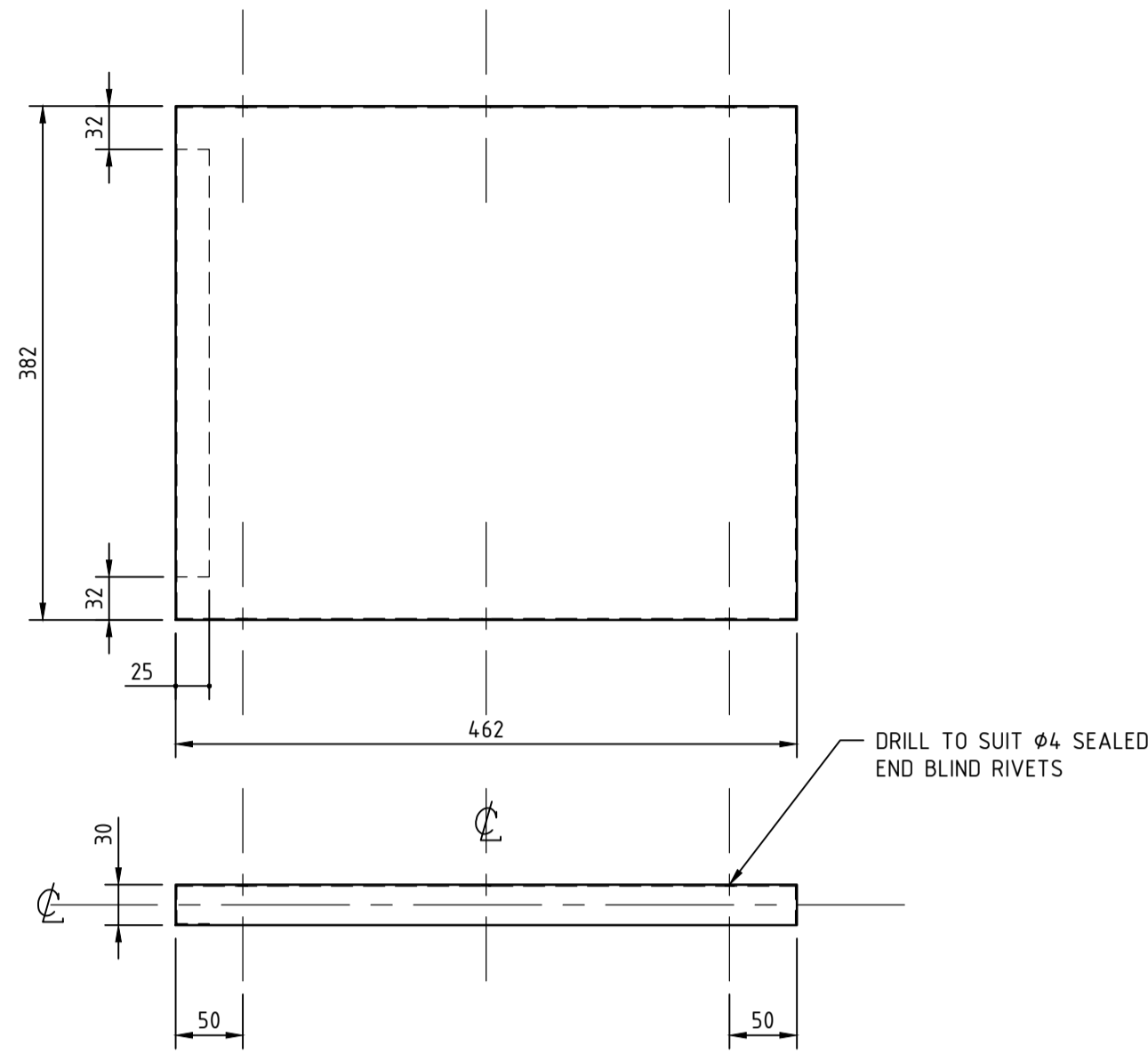


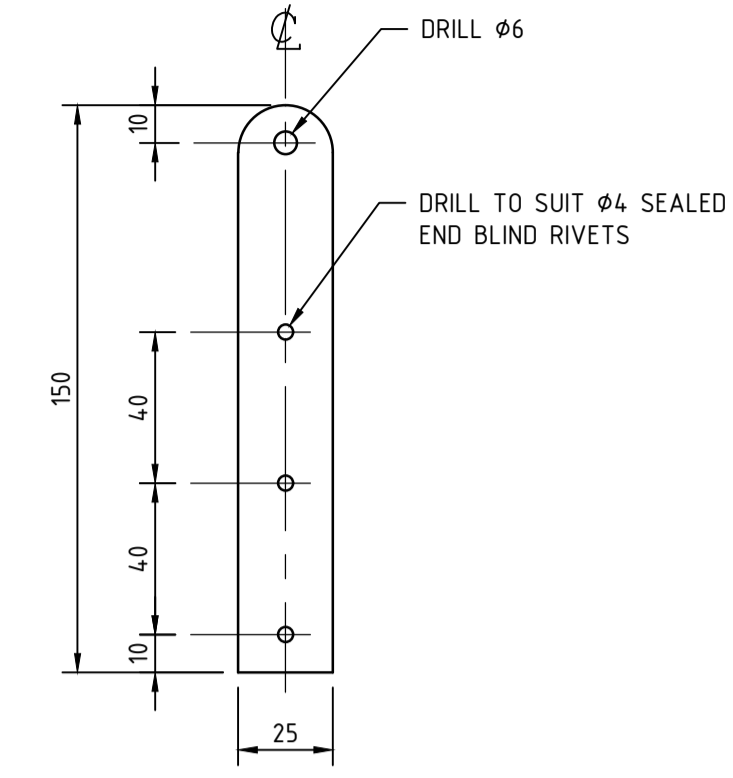
ARRANGEMENT



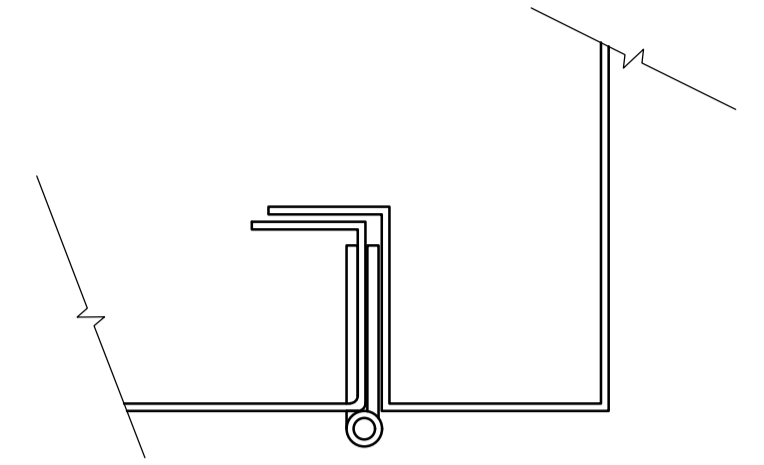
TOP VIEW



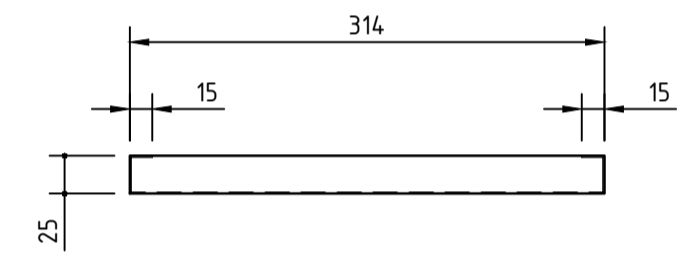
LID



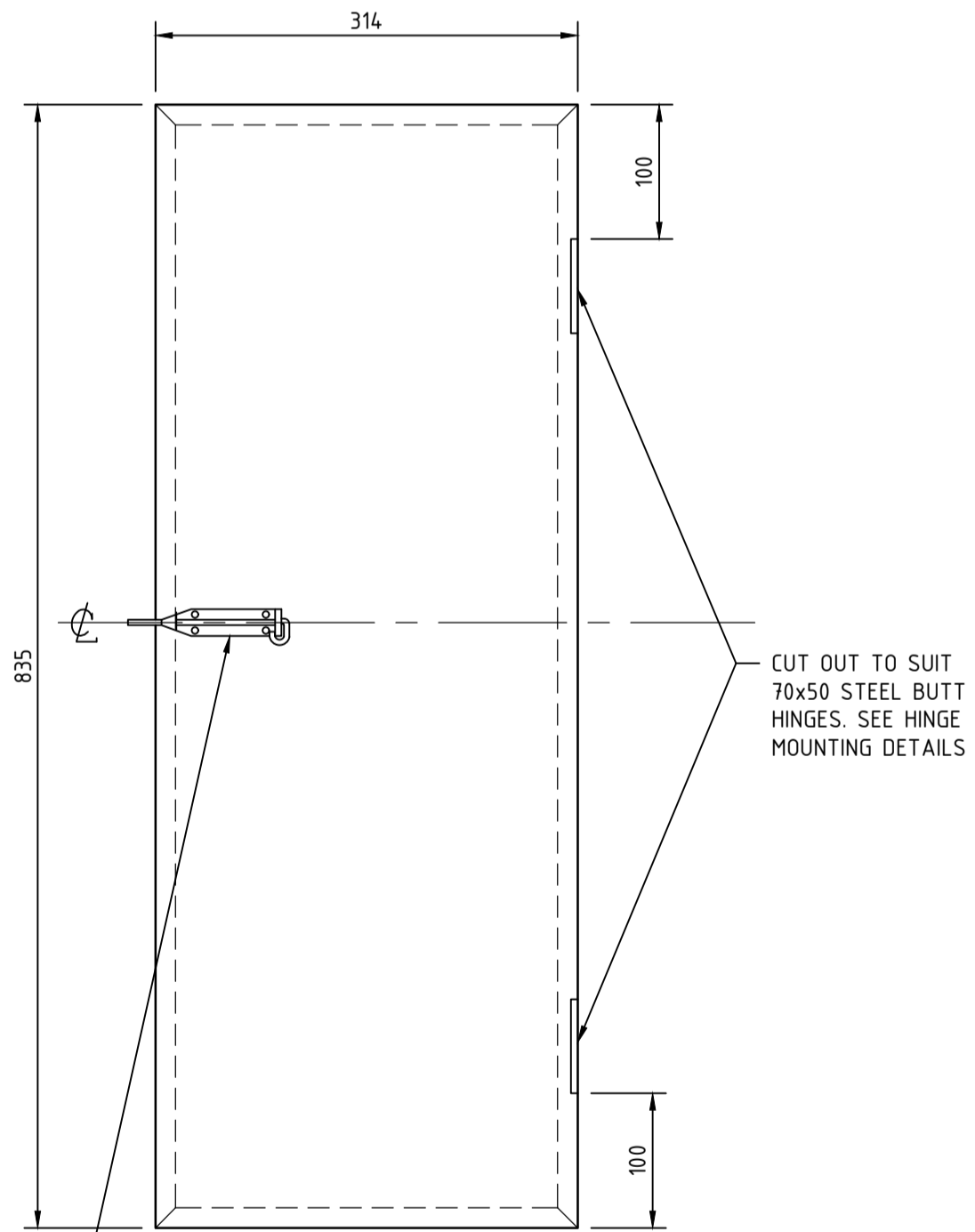
MOUNTING BRACKET
MATERIAL: 25x3x150 FLAT



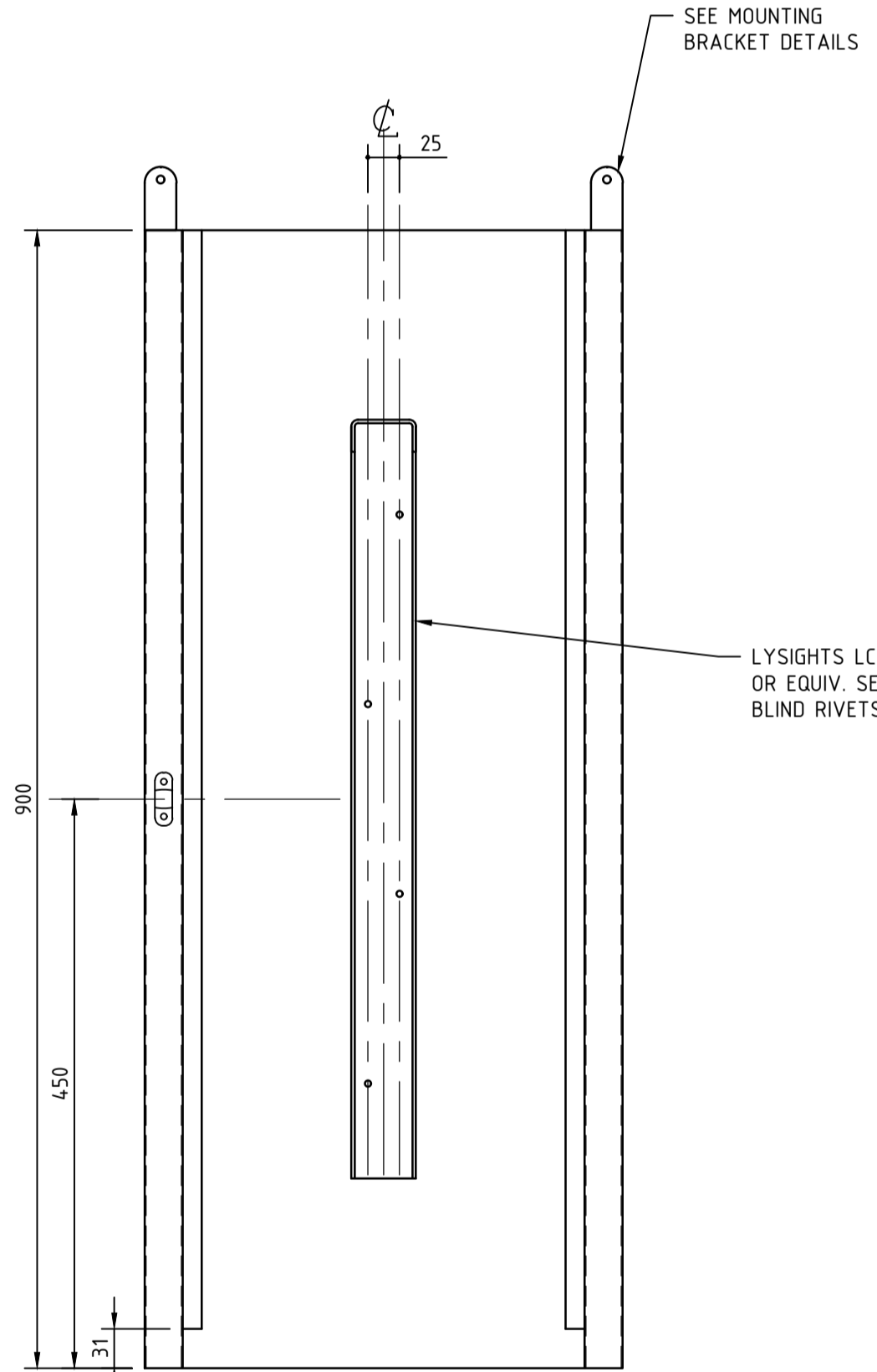
HINGE MOUNTING DETAIL



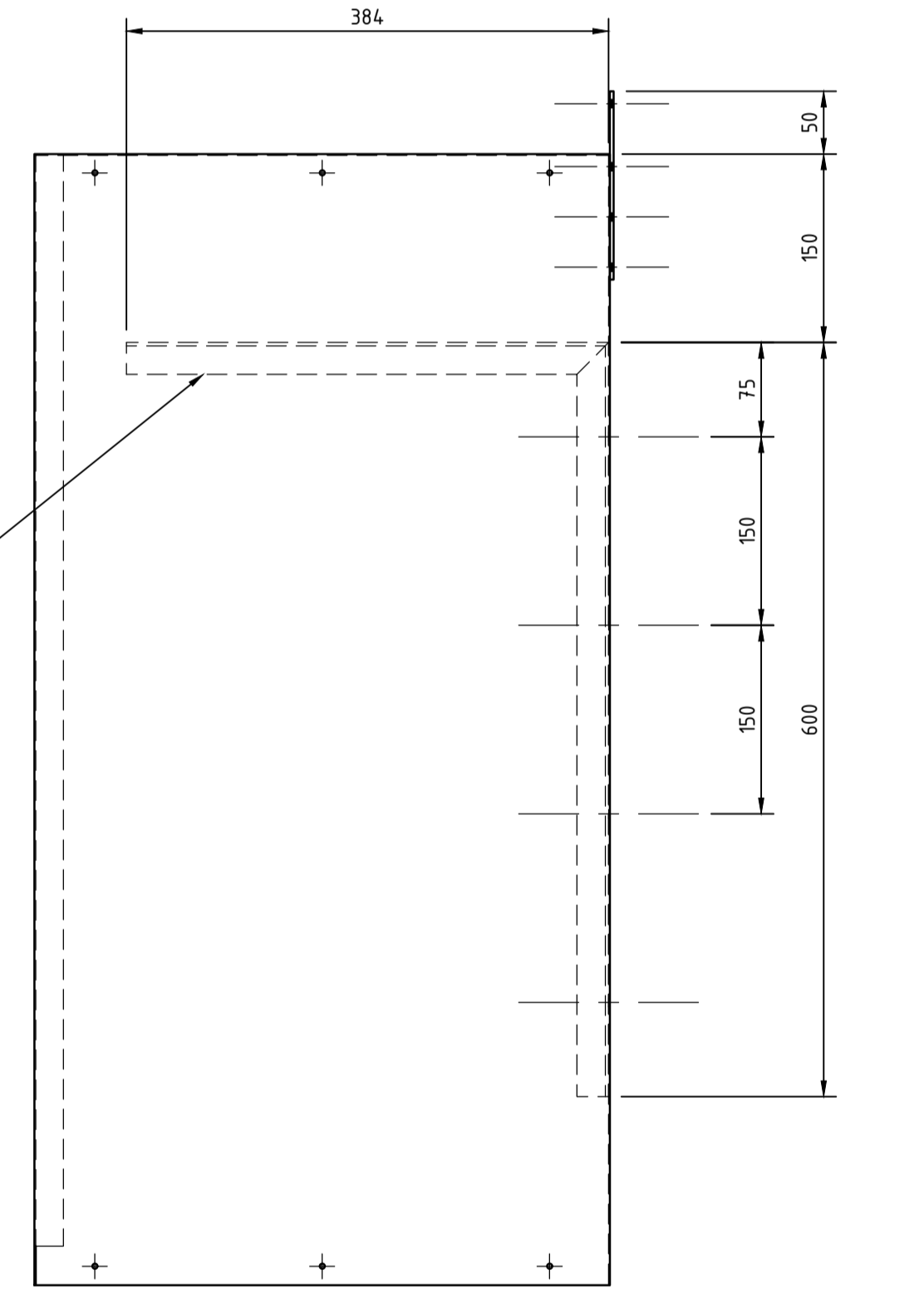
DOOR



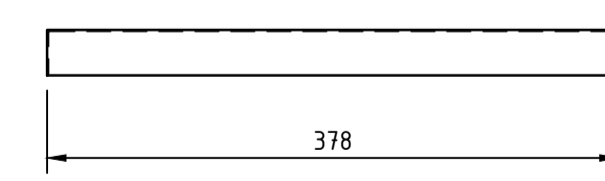
FRONT VIEW



CABINET BODY



RIGHT SIDE VIEW



BASE

NOTES

1. ALL STEELWORK TO BE FABRICATED IN ACCORDANCE WITH AS 3990.
2. MATERIAL TO BE 1mm THK STEEL SHEET TO AS 1595 UNLESS STATED OTHERWISE.
3. ALL METAL EDGES TO BE STRAIGHT AND FREE OF BURR.
4. STEELWORK TO BE THOROUGHLY CLEANED, THEN GIVEN ONE COAT OF ZINC CHROMATE - RED OXIDE PRIMER FOLLOWED BY TWO COATS OF ENAMEL, COLOUR TO BS.381C : 1964 - No 220 OLIVE GREEN.

STOCK CODE
123067

CAD DRAWING DO NOT MANUALLY AMEND	
AMENDMENTS	
7. UPDATED TO CAD. NOTES REVISED. CHECKED: M VENDORING APPROVED: P HUDSON	03/07/2015
8. NETWORK STANDARD ENDORSEMENT & STOCK CODE ADDED. CHECKED: M GHARAN APPROVED: M GIBSON PN: OPEX 6568-1-1-6	
9. BORDER & TITLEBLOCK UPDATED. CHECKED: L MARTINUZZI APPROVED: M BENNETT	

24-28 Campbell Street
SYDNEY NSW 2000

ISSUED FOR CONSTRUCTION

SCALE	AS SHOWN
DESIGNED	-
DRAWN	RVG
CHECKED	KEM
APPROVED	JH
DATE	17/01/1986
TRIM REF	-
PROJECT NUMBER	21874

DISTRIBUTION SUBSTATIONS OPERATOR LOCKER DETAILS			
DRAWING No	31858	SHEET	1
AMD	9	SIZE	A1