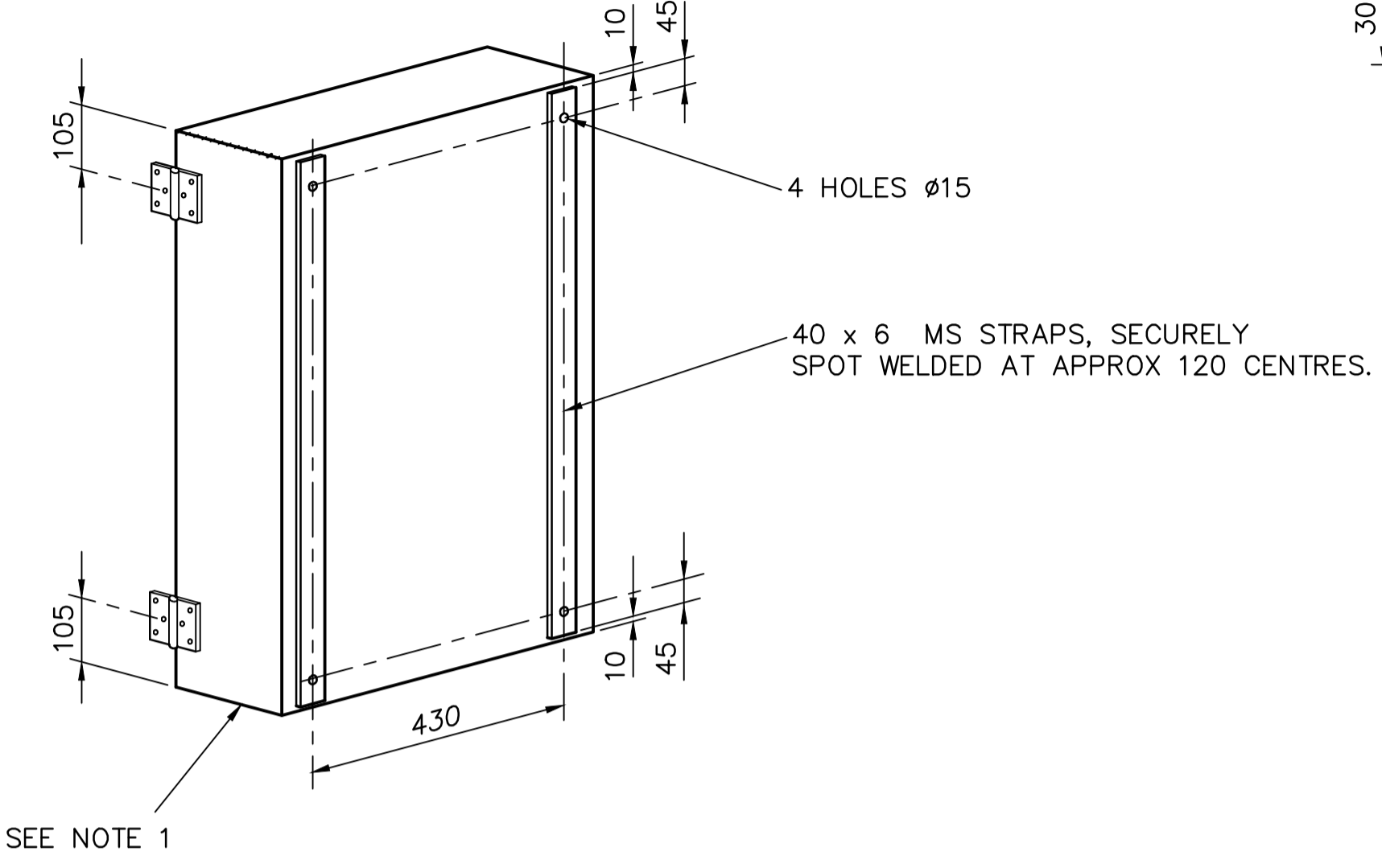
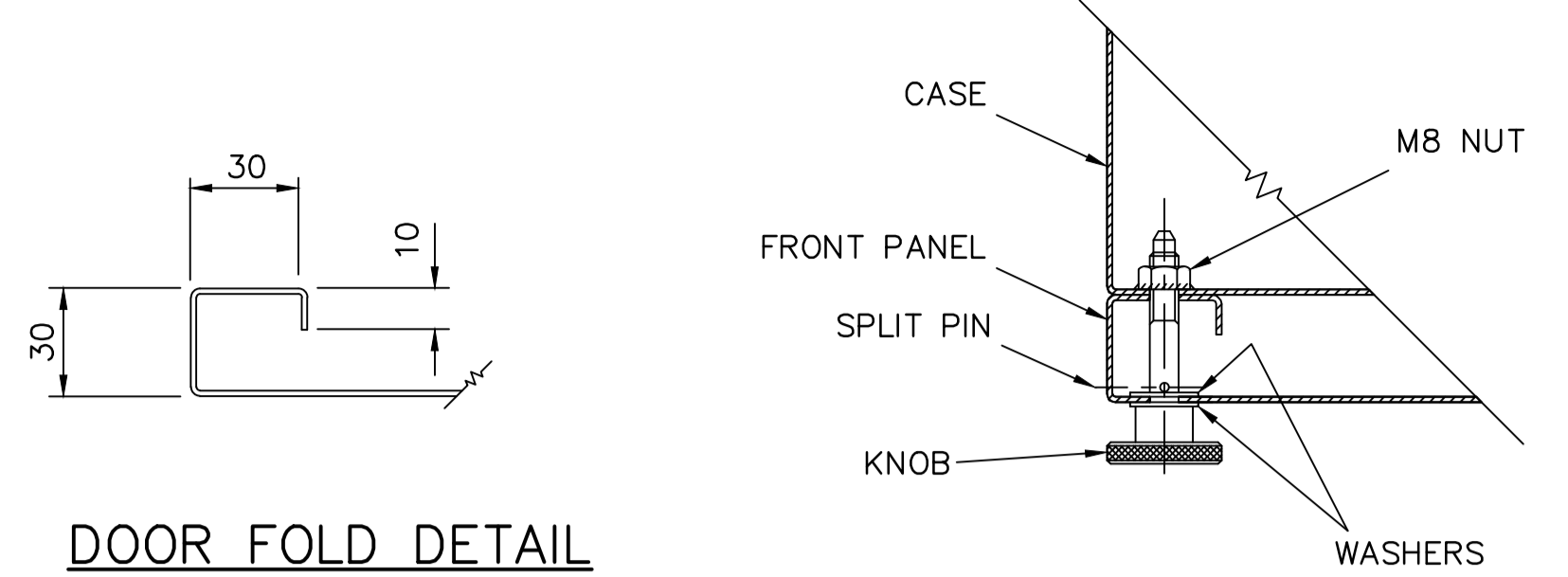


CABINET FRONT VIEW
MATL: 1.6 THK MS.

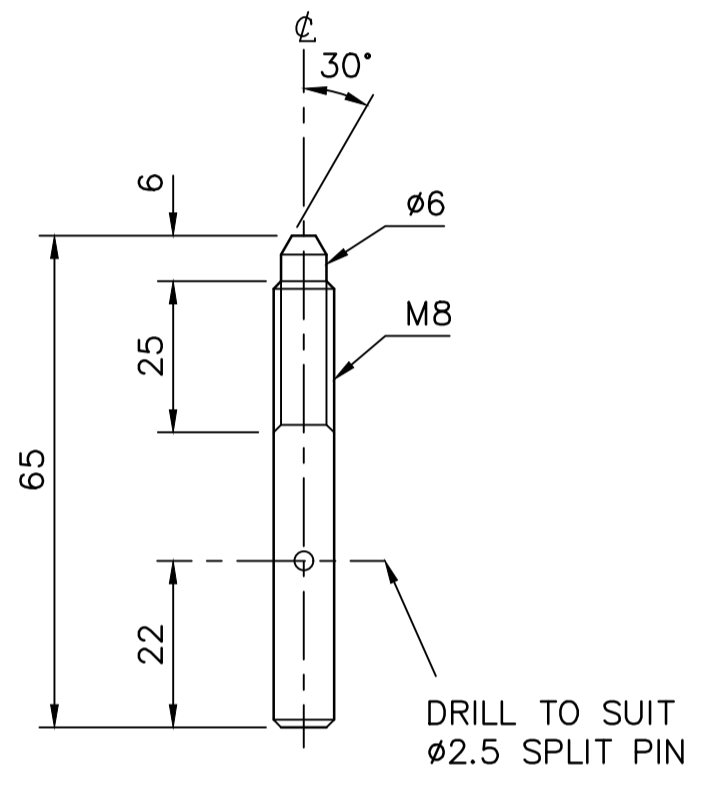


CABINET REAR VIEW

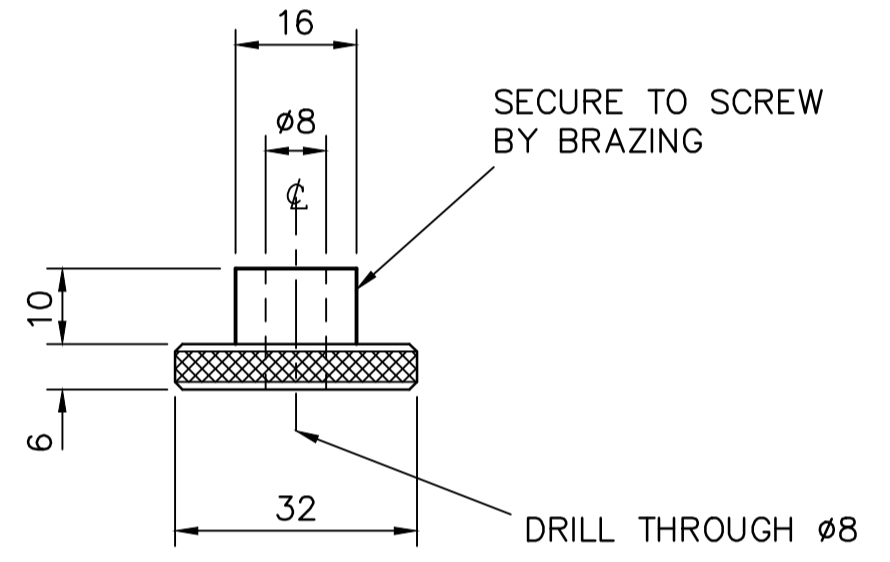


DOOR FOLD DETAIL

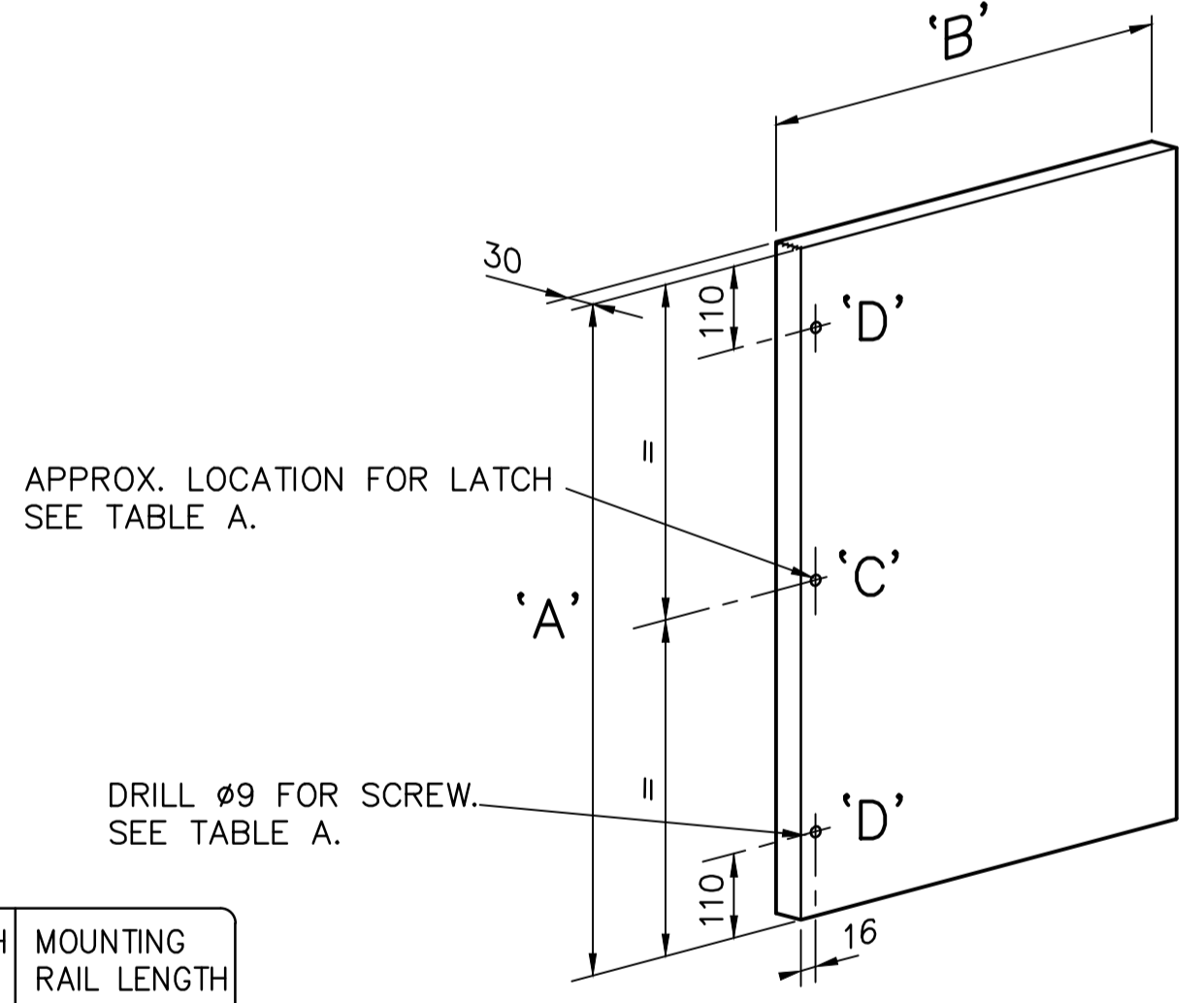
LATCHING SCREW ASSEMBLY



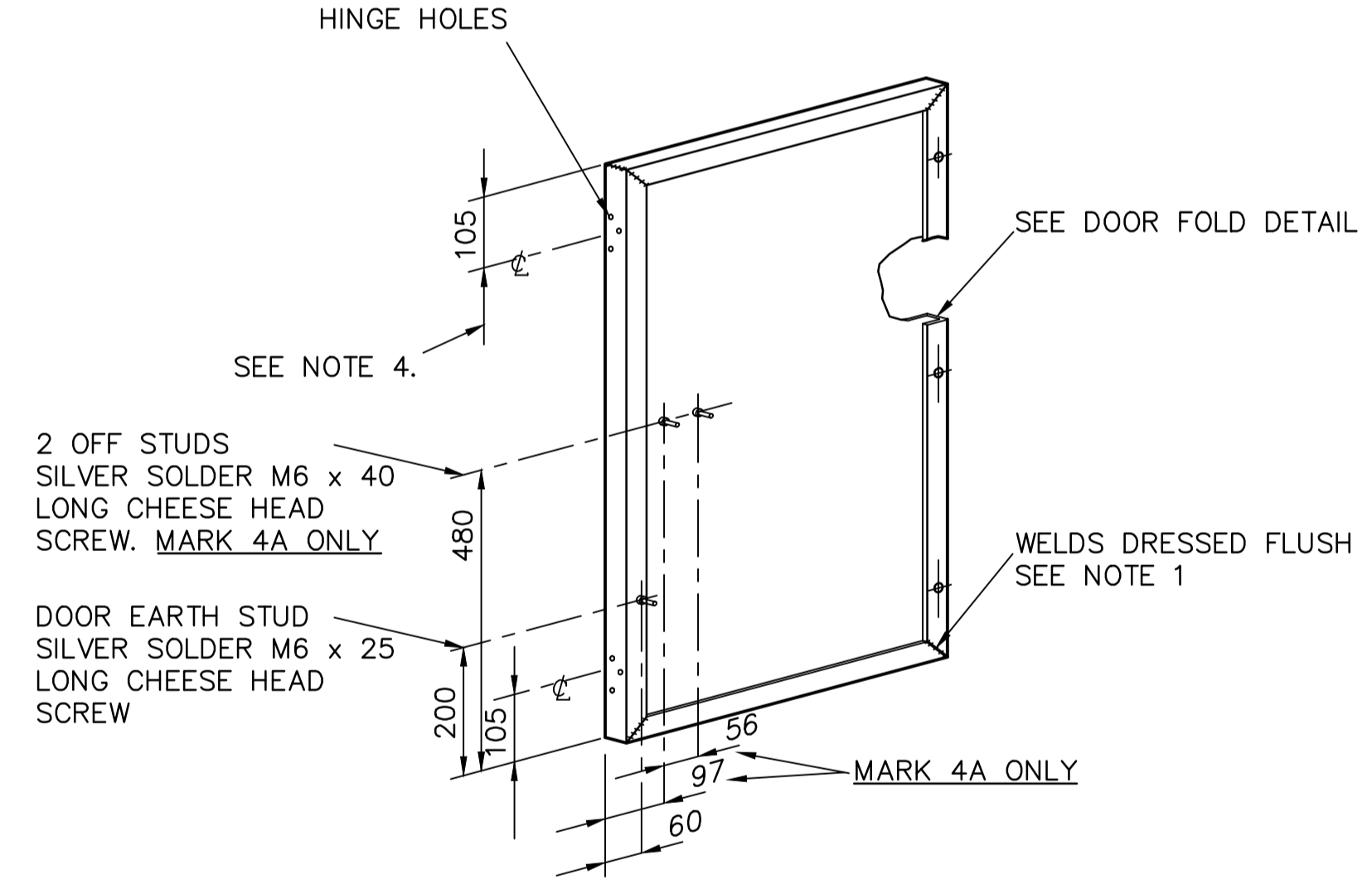
SCREW
MATL: Ø8 MS



KNOB
MATL: MS.



HINGED FRONT PANEL
MATL: 2mm THK MS.



HINGED FRONT PANEL (REAR)

NOTES

1. ALL WELDS ON EXTERIOR SURFACES TO BE DRESSED SMOOTH & FLUSH.
2. ALL SHEET METAL EDGES TO BE TRUE & DRESSED FREE OF BURRS.
3. HINGES TO BE FIXED TO THE FRONT PANEL BY MEANS OF COUNTERSUNK SCREWS & NUTS.
4. STEELWORK TO BE THOROUGHLY CLEANED & POWDER COATED N22 CLOUD GREY.
5. REFER TO INDIVIDUAL PANEL, 'LAYOUT / WIRING' DRAWINGS FOR DRILLING DETAILS OF COMPLETED FRONT HINGED PANEL WHEN REQUIRED.
6. ALL DIMENSIONS ARE IN MILLIMETRES.
7. MARK 4A PANEL THIS DIMENSION IS 45mm. SEE TABLE A FOR MOUNTING RAIL LENGTH.
8. SUITABLE HDHC COPPER EARTH BAR TO CONNECT BETWEEN THE TWO EARTH STUDS, 220mm LONG. THE TWO HOLES TO MOUNT THE EARTH BAR ARE TO BE DRILLED 200mm APART. ALL REMAINING HOLES ARE TO BE EVENLY SPACED WITH 15mm CENTRES. ALL HOLES TO BE DRILLED TO 6.5mm Ø.

TABLE A

| | DIMENSION (mm) | | | No. OF LATCH SCREWS. | | MOUNTING RAIL LENGTH |
|---------|----------------|-----|-----|----------------------|------|----------------------|
| | A | B | E | C | D | |
| MARK 1 | 760 | 530 | 180 | 2 | 585 | |
| MARK 1A | 760 | 530 | 300 | 2 | 585 | |
| MARK 2 | 530 | 530 | 180 | 2 | 355 | |
| MARK 3 | 915 | 530 | 180 | 2 | 740 | |
| MARK 4 | 915 | 610 | 180 | 2 | 740 | |
| MARK 4A | 915 | 610 | 300 | 2 | 825 | |
| MARK 5 | 305 | 530 | 180 | 1 | 130 | |
| MARK 6 | 915 | 760 | 180 | 2 | 740 | |
| MARK 7 | 1220 | 610 | 180 | 2 | 1045 | |
| MARK 8 | 1220 | 760 | 180 | 2 | 1045 | |
| MARK 9 | 460 | 610 | 180 | 1 | 285 | |

AMENDMENTS

| AMD | DATE | DESCRIPTION | DRAWN BY | DESIGNED BY | CHECKED BY | APPROVED BY |
|-----|------------|--|--------------|--------------|------------|-------------|
| 14 | 1/06/2012 | DRAWING UPDATED FOR MODERN FABRICATION TECHNIQUES. DIMENSIONS & NOTES UPDATED. | - | L.MARTINUZZI | W.BYRNE | M.BENNETT |
| 15 | 02/11/2020 | BORDER & TITLE BLOCK UPDATED. ADDED ADDITIONAL STUDS FOR MARK 4A OPTION ONLY. | L.MARTINUZZI | L.MARTINUZZI | M.BENNETT | M.BENNETT |
| 16 | 20/09/2024 | ADDED MARK 1A PANEL SIZE TO TABLE A. | L.M. | L.M. | M.B. | M.B. |



24 Campbell Street
SYDNEY NSW 2000
P: 9272 3805

| | |
|----------------|---------|
| SCALE | 1:10 |
| DESIGNED | - |
| DRAWN | OH |
| CHECKED | KEM |
| APPROVED | RM |
| DATE | 04/1995 |
| TRIM REF | - |
| PROJECT NUMBER | 5004359 |

WALL MOUNTED RELAY PANELS DETAILS

| | | | | |
|-------------------------|------------------|---------|--------|---------|
| ISSUED FOR CONSTRUCTION | DRAWING No 28632 | SHEET 1 | AMD 16 | SIZE A1 |
|-------------------------|------------------|---------|--------|---------|