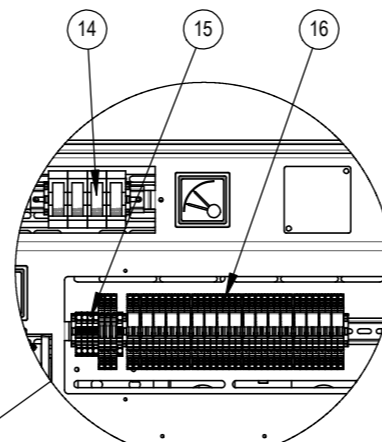
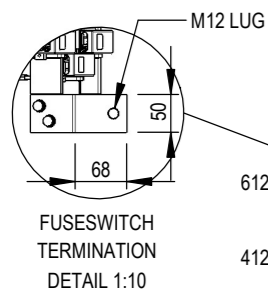
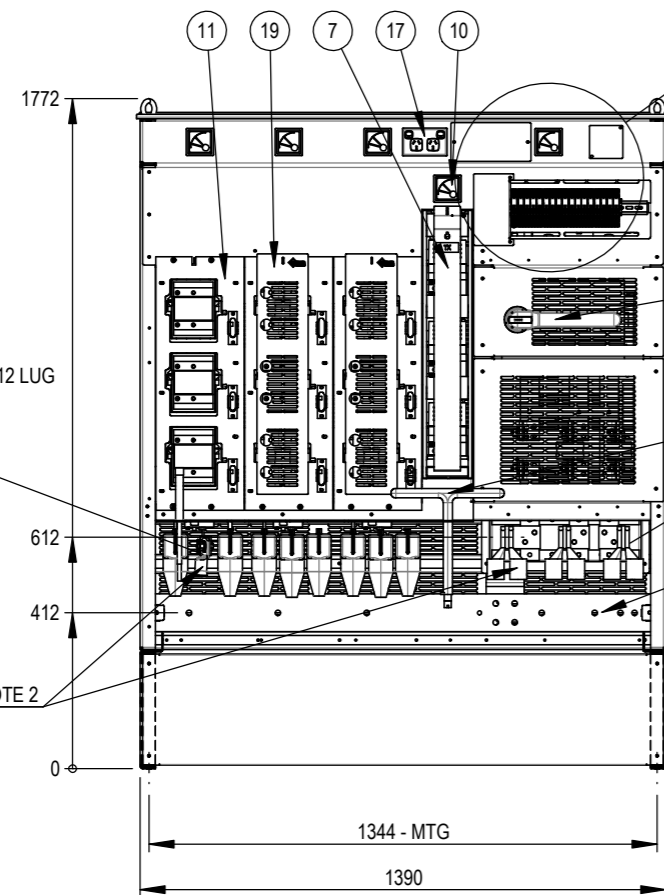


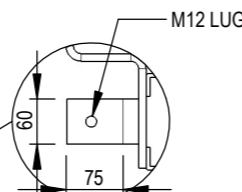
REAR TOP PANEL REMOVED



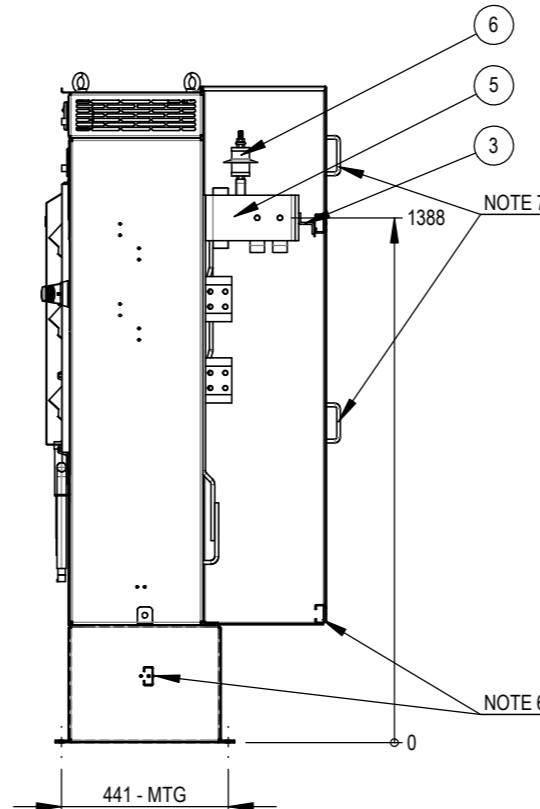
COVERS REMOVED
SCALE 1 : 10



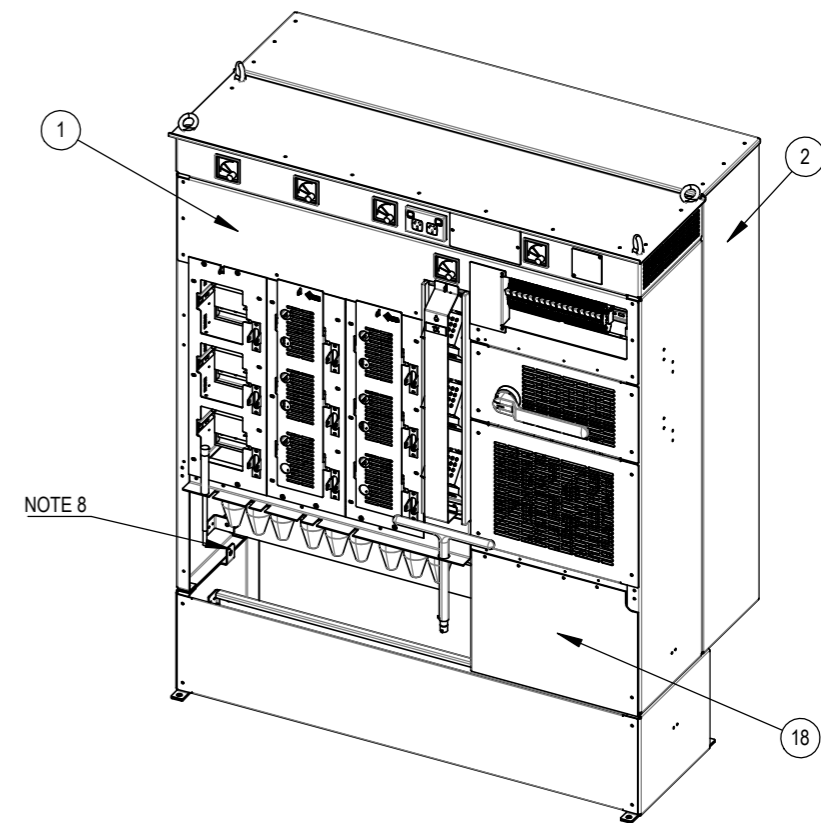
FUSES
SWITCH
TERMINATION
DETAIL 1:10



SWITCHFUSE
TERMINATION
DETAIL 1:10



REAR SIDE PANEL REMOVED



NOTE 8

1

18

NOT FOR CONSTRUCTION

NO.	QTY.	PART NO.	DESCRIPTION
1	1	00015-SA12	POWDERCOATED SHEETMETAL
2	1	00015-SA16	POWDERCOATED SHEETMETAL
3	3	LVZIT	BUSBAR, TXF CONNECTION SUPPORT
4	1	00015-C013	NEUTRAL BAR 100x10mm CU (ON INSULATORS)
5	1	00015-CA19	120x10 CU - TXF CONNECTION TAGS
6	3	ACC-LVSD415V	SURGE ARRESTER - 415V 5kA
7	1	25003P	2500A TXF DISCONNECTOR + LOCKING COVER
8	1	25003_001	TXF DISCONNECTOR OPERATING HANDLE
9	1	EFE-77127.2973	CT, 2000/5, PSA1254, CL1, 10VA, MID PHASE
10	5	MA-5	MAXIMUM DEMAND INDICATOR, MID PHASE
11	3	VSJ0630BE-001	400A F/S BOTTOM CONNECT, CT FITTED, HANDLE INCLUDED
12	1	ABB-OT1250E03P	ABB 1250A LBS, ROTARY HANDLE
13	3	EFE-77119.2363-W	CT, 800/5, PSA613,
14	3	FH-32	VOLTAGE TEST POINT FUSES 6A
15	5	WAG-2006-1201	VOLTAGE TEST POINT TERMINALS (INCLUDES N)
16	17	WAG-2007-8821	CT TEST/SHORTING TERMINALS (SET OF 2)
17	1	2P-GPO-KIT	10A FUSE + DOUBLE GPO
18	1	00015-P004	SWITCH FUSE TERMINAL COVER
19	2	P01806300201	FUSE SWITCH TOUCH COVER

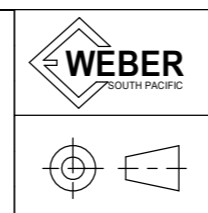
NOTES:

1. THE LV ASSEMBLY IS DEAD FRONT WITH FLEXIBLE INSULATING BOOTS FITTED TO DISTRIBUTOR TERMINALS. ASSEMBLY IS IP21 FROM THE TOP ONLY. THE COVERS DO NOT PROTECT PURPOSEFUL TOUCH FROM UNDERNEATH.
2. TERMINAL COVER REMOVED TO SHOW CUSTOMER CONNECTION HEIGHT.
3. INCOMING CONNECTION SUITABLE FOR MAXIMUM 4x 500mm² M12 LUGS PER PHASE + N.
4. SWITCH FUSE SUITABLE FOR MAXIMUM 2x 300mm² M12 LUGS PER PHASE
5. FUSE SWITCH SUITABLE FOR MAXIMUM 1x 300mm² M12 LUGS PER PHASE
6. REMOVABLE CABLE CLAMP RAILS, OPEN BOTTOM CABLE ENTRY
7. REMOVEABLE PANELS FOR TXF CONNECTION ACCESS
8. EARTHING TERMINAL STUDS PROVIDED ON BOTH LHS AND RHS OF ENCLOSURE

AUSGRID : 265242-1

REV	DATE	DESCRIPTION	DWN	APP
B	4/07/2023	ADDED GPO, SURGE ARRESTER DETAIL	P.W	J.J
A	9/03/2023	INITIAL DRAWING	P.W	J.J

PROJECT: AUSGRID CHAMBER - STOCKCODE: 181790
 ASSEMBLY ID: VF224209-AUS04
 DESCRIPTION: 2500A TXF DISCONNECTOR + 800A S/F + 3X400A F/S
 RATINGS: 2000A, 415 V, 30kA 3s, FORM 1, IP (NOTE 1)
 INSTALLATION TYPE: LV CHAMBER SUBSTATION
 WEIGHT: 460 kg



WEBER SOUTH PACIFIC PTY LTD
 PO BOX 4264 Eight Mile Plains
 Queensland Australia
 TEL. (07) 3841 6899
 FAX. (07) 3841 6877
 EMAIL:- sales@webersouthpacific.com.au

Scale: 1:20
 DO NOT SCALE
 Tolerance: ± 5 UNO
 ALL DIMENSIONS IN MM UNLESS NOTED OTHERWISE

Standard: AS/NZS 61439.2
 Drawing: GENERAL ARRANGEMENT
 SHEET 1 OF 1

Client: AUSGRID
 Part Number: VF224209-AUS04
 Drawing Number: 00015-GA20
 Size: A3
 Type: 3D
 Revision: B