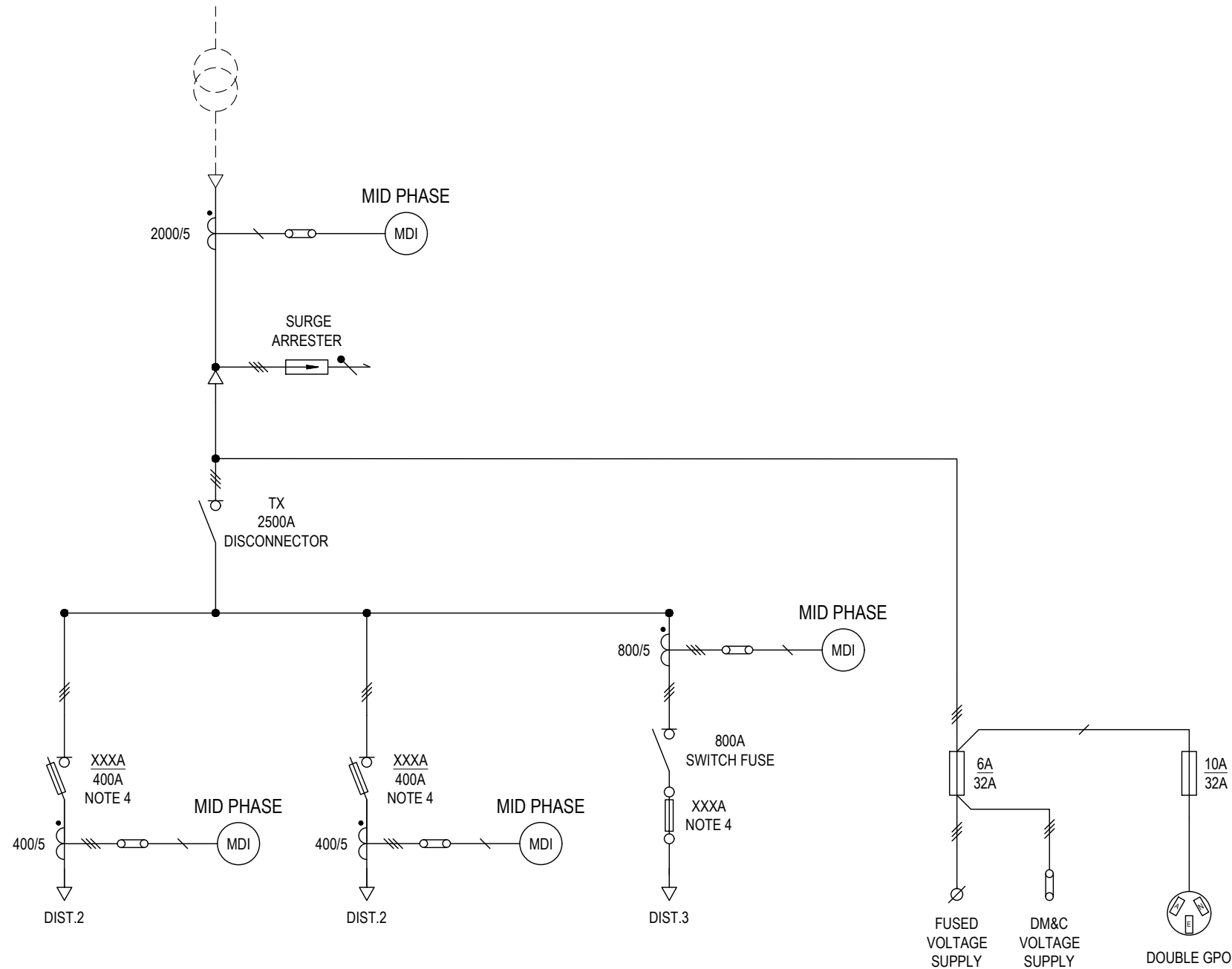


NOTES

1. THE LV ASSEMBLY IS DEAD FRONT WITH FLEXIBLE INSULATING BOOTS FITTED TO DISTRIBUTOR TERMINALS. ASSEMBLY IS IP21 FROM THE TOP ONLY. THE COVERS DO NOT PROTECT PURPOSEFUL TOUCH FROM UNDERNEATH.
2. PHASE IDENTIFICATION
  - 2.1. T (Top) - L1 - RED
  - 2.2. M (Middle) - L2 - WHITE
  - 2.3. B (Bottom) - L3 - BLUE
3. WIRE COLOURS -
  - RD - RED
  - BL - BLUE
  - WH - WHITE
  - BK - BLACK
  - OR - ORANGE
  - GY - GREY
  - GN/YE - GREEN/YELLOW
4. FUSE LINKS ARE NOT PROVIDED.

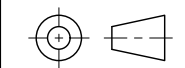


# AUSGRID : 265239-2

NOT FOR CONSTRUCTION

REV	DATE	DESCRIPTION	DWN	APP
B	03/07/2023	ADDED GPO	P.W	J.J
A	27/02/2023	INITIAL SINGLE LINE	P.W	J.J

PROJECT: AUSGRID - STOCKCODE: 181793  
 ASSEMBLY ID: VF223169-AUS06  
 DESCRIPTION: 2500A TXF DISCONNECTOR+800A S/F+2X400A F/S  
 RATINGS: 1600A, 415V, 30ka 3s, FORM 1, 1P (NOTE 1)  
 INSTALLATION TYPE: CHAMBER SUBSTATION



**WEBER SOUTH PACIFIC PTY LTD**  
 PO BOX 4264 Eight Mile Plains  
 Queensland Australia  
 TEL. (07) 3841 6899  
 FAX. (07) 3841 6877  
 EMAIL- sales@webersouthpacific.com.au

THIS DRAWING AND SPECIFICATIONS HEREIN MUST NOT BE REPRODUCED OR COPIED IN PART OF WHOLE WITHOUT THE PRIOR PERMISSION OF WEBER SOUTH PACIFIC.

Scale: NTS  
 DO NOT SCALE  
 Tolerance: N/A  
 ALL DIMENSIONS IN MM UNLESS NOTED OTHERWISE

Standard: AS/NZS 61439.2  
 Drawing: SINGLE LINE  
 SHEET 1 OF 1

Client: AUSGRID  
 Part Number: VF223169-AUS06  
 Drawing Number: 00015-SL17  
 Size: A3  
 Type: 2D  
 Revision: B