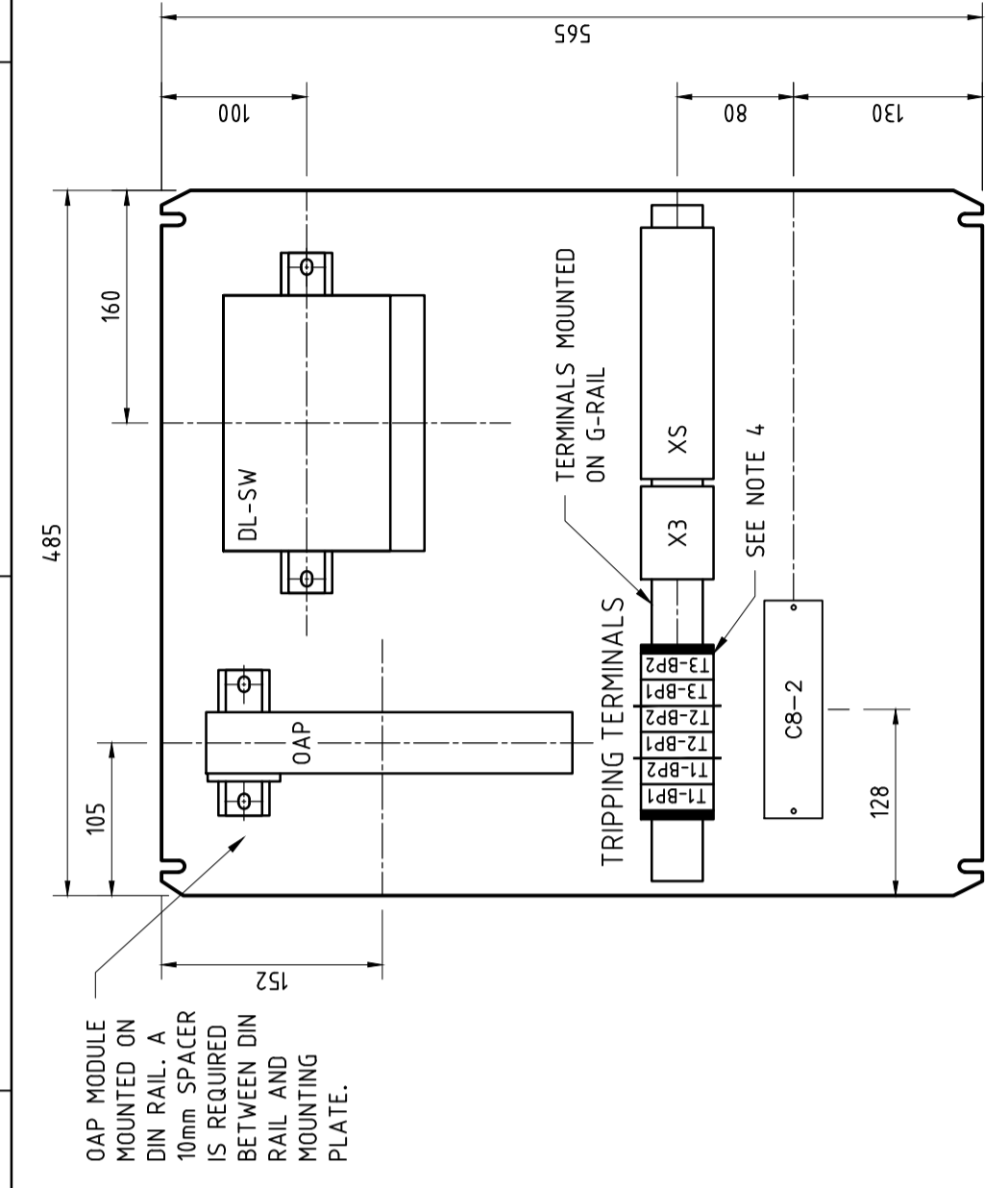


LABEL SIZE & No.	COLOUR	TEXT LINE	TEXT HEIGHT	ENGRAVING	No OFF
C4-1	TRAFFOLYTE RED/WHITE/RED	LINE 1	4.0	FSB	1
		LINE 2	2.5	48V 'B' MASTER BATT FUSE & LINK	
		LINE 3	2.5		
C8-1	GRAVOPLY No.200 WHITE/BLACK	LINE 1	7	DISTRIBUTION LOCAL AUTOMATION CONTROL PANEL	2
		LINE 2	7		
C8-2	GRAVOPLY No.202 WHITE/RED	LINE 1	7	WARNING LIVE TRIPPING TERMINALS DO NOT DISTURB	1
		LINE 2	7		
		LINE 3	7		
C8-3	GRAVOPLY No.202 WHITE/RED	LINE 1	7	TRIPPING TERMINALS LOCATED INSIDE ON BACKPLATE PANEL	1
		LINE 2	7		
		LINE 3	7		
C7-1	GRAVOPLY No.200 WHITE/BLACK	LINE 1	2.5	LOCAL AUTOMATION CONTROL RELAY	1
		LINE 2	2.5	LAC	
		LINE 3	4.0		
C7-2	GRAVOPLY No.200 WHITE/BLACK	LINE 1	2.5	1st Tx SIGNALS AUTO WHEN LIT	1
		LINE 2	2.5	NON-AUTO	
		LINE 3	4.0		
C7-3	GRAVOPLY No.200 WHITE/BLACK	LINE 1	2.5	2nd Tx SIGNALS AUTO WHEN LIT	1
		LINE 2	2.5	NON-AUTO	
		LINE 3	4.0		
C7-4	GRAVOPLY No.200 WHITE/BLACK	LINE 1	2.5	3rd Tx SIGNALS AUTO WHEN LIT	1
		LINE 2	2.5	NON-AUTO	
		LINE 3	4.0		
C7-5	GRAVOPLY No.200 WHITE/BLACK	LINE 1	2.5	CUST DC No.1 SIGNALS AUTO WHEN LIT	1
		LINE 2	2.5	NON-AUTO	
		LINE 3	4.0		
C7-6	GRAVOPLY No.200 WHITE/BLACK	LINE 1	2.5	CUST DC No.2 SIGNALS AUTO WHEN LIT	1
		LINE 2	2.5	NON-AUTO	
		LINE 3	4.0		
C18-1	GRAVOPLY No.200 WHITE/BLACK	LINE 1	5	1st Tx GREEN LIGHT INDICATES TRANSFORMER & ARC FLASH RELAY 'B' IS HEALTHY	1
		LINE 2	5		
		LINE 3	5		
C18-2	GRAVOPLY No.200 WHITE/BLACK	LINE 1	5	2nd Tx GREEN LIGHT INDICATES TRANSFORMER & ARC FLASH RELAY 'B' IS HEALTHY	1
		LINE 2	5		
		LINE 3	5		
C18-3	GRAVOPLY No.200 WHITE/BLACK	LINE 1	5	3rd Tx GREEN LIGHT INDICATES TRANSFORMER & ARC FLASH RELAY 'B' IS HEALTHY	1
		LINE 2	5		
		LINE 3	5		

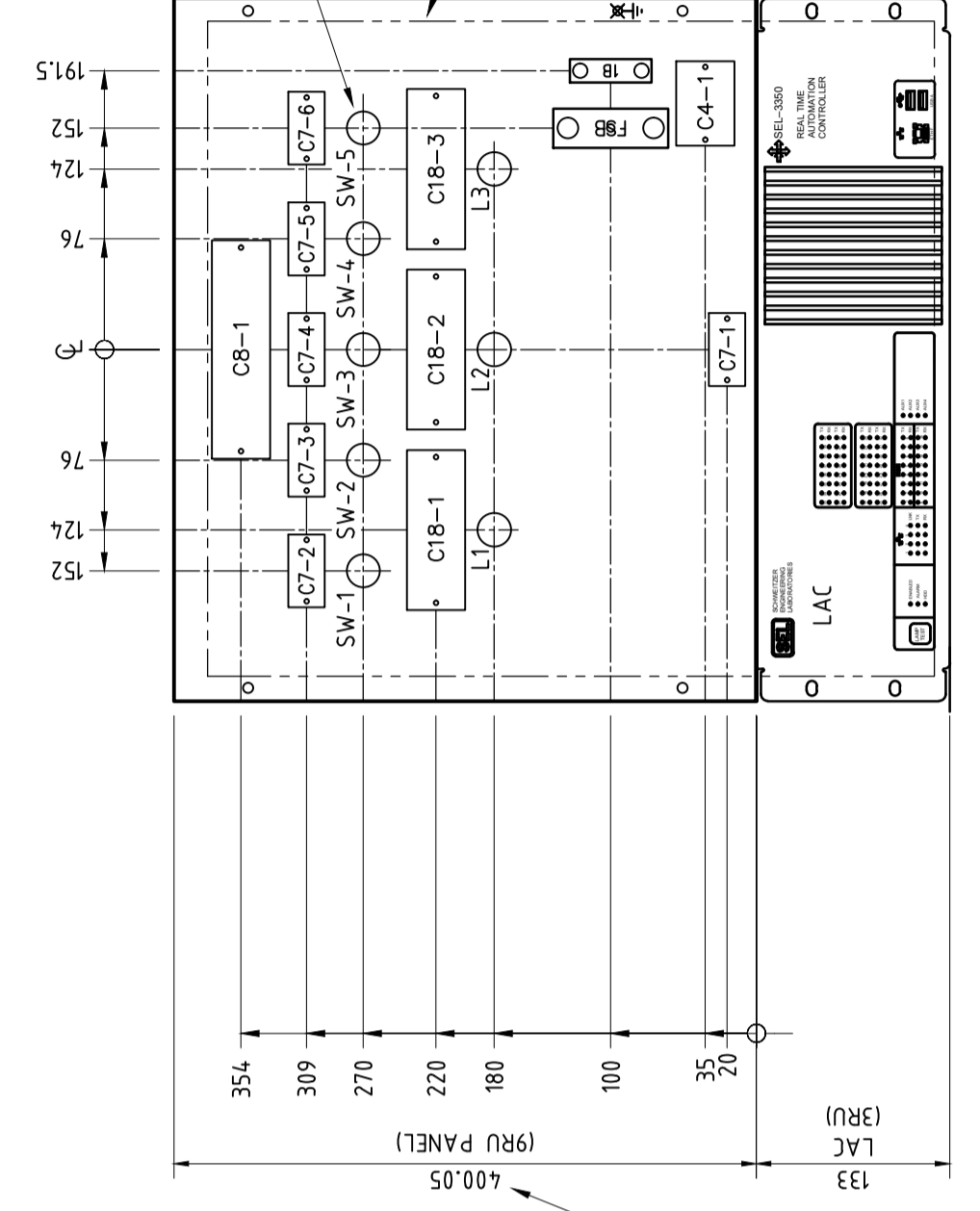
ONLY TO BE INSTALLED WHERE REQUIRED - SEE NOTE 5

SEE NOTE 2



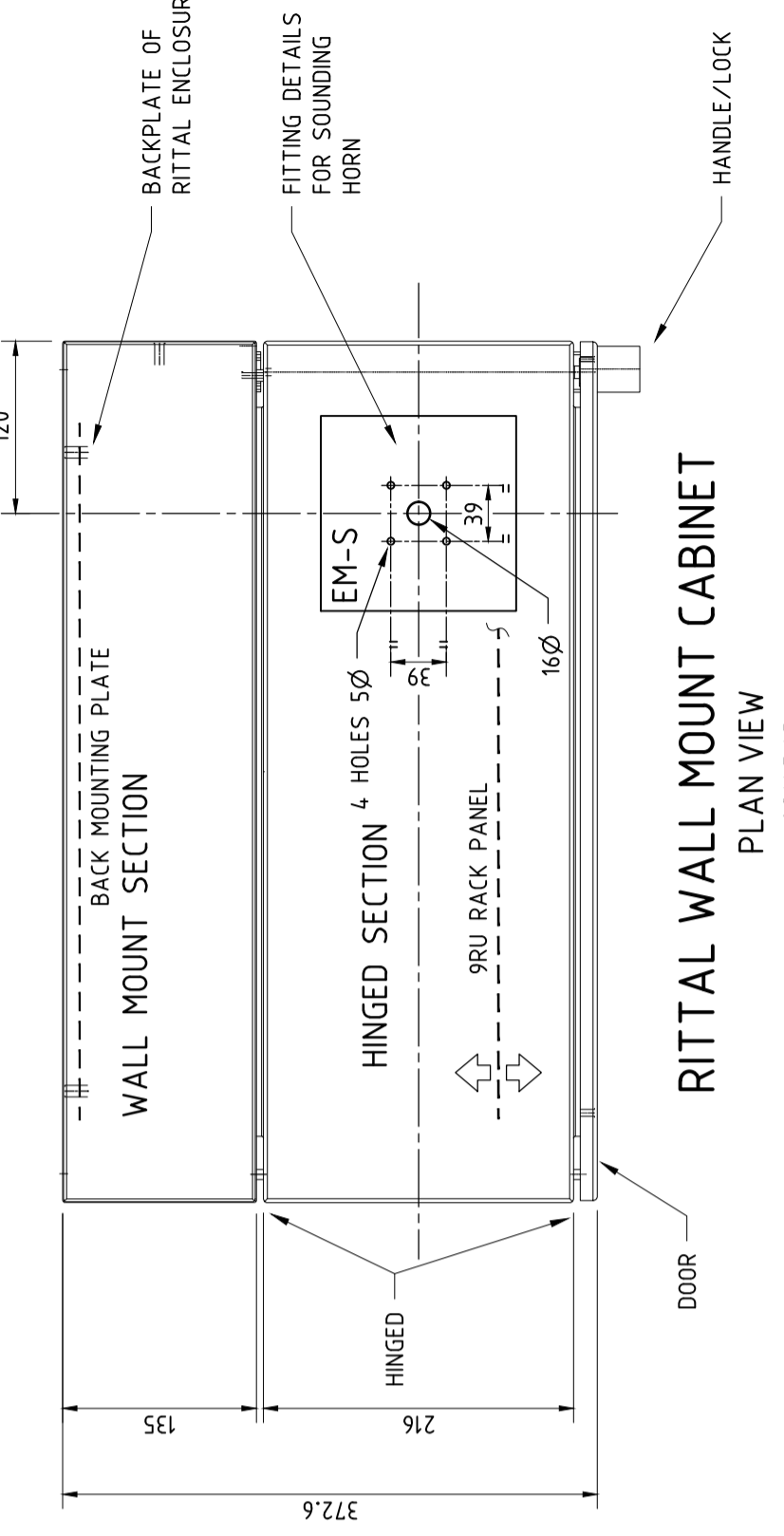
MOUNTING PLATE LAYOUT FRONT VIEW

BACKPLATE OF RITTAL ENCLOSURE UNIT - TO BE DRILLED/ASSEMBLED AT WORKSHOP SCALE 1:5



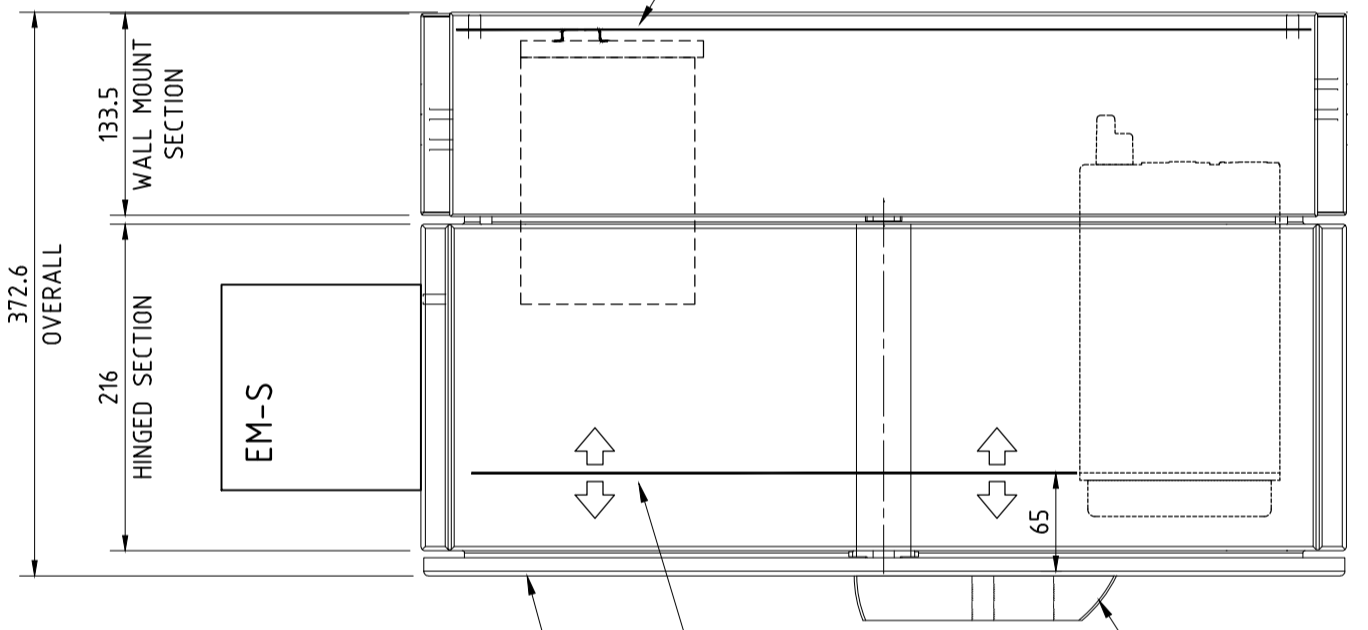
HINGED SECTION LAYOUT INCLUDING 9RU PANEL & LAC RELAY FRONT VIEW

SCALE 1:5



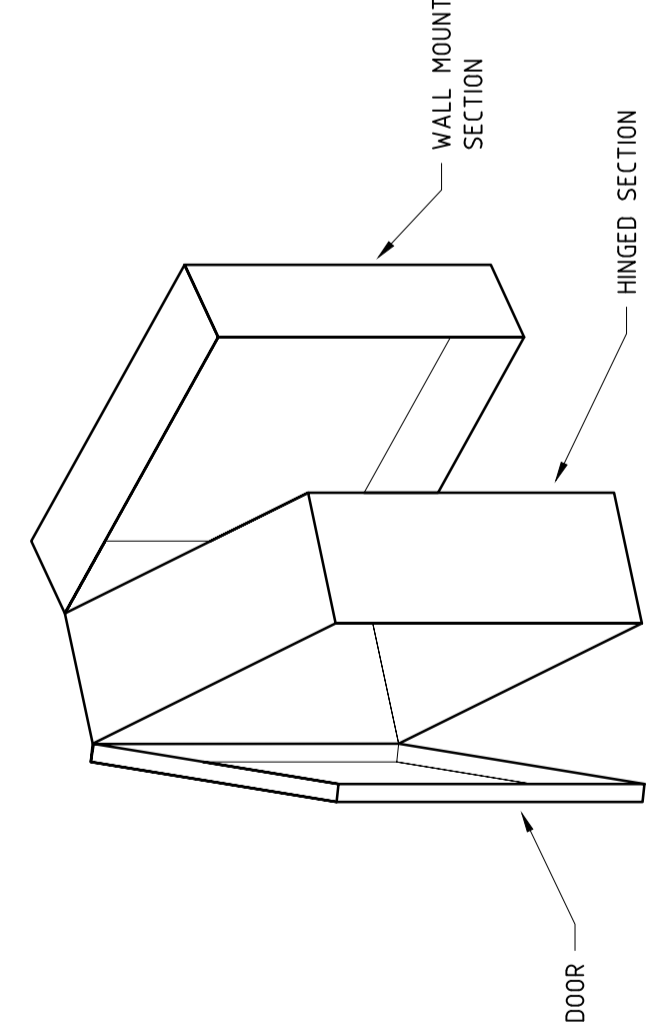
RITTAL WALL MOUNT CABINET PLAN VIEW

SCALE 1:5



RITTAL WALL MOUNT CABINET SECTIONAL VIEW

SCALE 1:5



RITTAL WALL MOUNT CABINET PICTORIAL VIEW

TAGNAME	PART	PART No.	No. OFF
SW-1 TO SW-5 (SEE NOTE 5)	COLLAR LIGHT BLOCK	ZB4BZ009	5
	N/O CONTACTS	ZB6B01	5
	N/C CONTACTS	ZB6B02	5
	HEAD	ZB4BK023	5

HARMONY XB4 CONFIGURATION

NOTES:

- ALL DIMENSIONS ARE IN MILLIMETRES.
- CAM ARRANGEMENT TO BE CREATED FOR 9RU PANEL. BACK MOUNTING PANEL TO BE DRILLED BY WORKSHOP OR ON SITE.
- FOR LABEL CONSTRUCTION, DRILLING AND ENGRAVING DETAILS REFER TO DRAWINGS 50996-1 & 64925-1.
- TRIPPING TERMINALS TO BE SUITABLY INSULATED WITH TERMINAL COVER H9822 TO PREVENT ANY ACCIDENTAL SHORTING OF THESE TRIP TERMINALS.
- ANY ASPECTS OF THE PANEL LAYOUT THAT ARE NOT REQUIRED ARE TO BE OMITTED. REFER TO DESIGN INFORMATION PACKAGE FOR DETAILS:
  - SW-5 & RELATED LABEL C7-6 ARE REQUIRED ONLY WHERE CUSTOMER DC No.2 IS INSTALLED.

TITLE	DWG No.
CITY DISTRIBUTION SUBSTATIONS WITH E TYPE LV BOARD AND OPTICAL ARC FLASH DETECTION AC SCHEMATIC	227380-1
CITY DISTRIBUTION SUBSTATIONS WITH E TYPE LV BOARD AND OPTICAL ARC FLASH DETECTION DC SCHEMATIC	227380-2
CITY DISTRIBUTION SUBSTATIONS WITH E TYPE LV BOARD AND OPTICAL ARC FLASH DETECTION CUSTOMER OVERCURRENT J DC SCHEMATIC	227380-3
CITY DISTRIBUTION SUB WITH E TYPE LV BOARD AND OPTICAL ARC FLASH DETECTION DLAC PANEL SCHEMATIC. GENERAL DC SUPPLIES INTER-PANEL WIRING, FIBRE COMMS & CABLING DIAGRAM	227380-4
CITY DISTRIBUTION SUBSTATIONS WITH E TYPE LV BOARD, OAFD, & CUSTOMER DC No.1 & No.2 PROTECTION, DISTRIBUTION AUTOMATION CONTROL PANEL WIRING & CABLING DIAGRAM	227380-5
CITY DISTRIBUTION SUBSTATIONS WITH E TYPE LV BOARD, OAFD, & CUSTOMER DC No.1 PROTECTION, DISTRIBUTION AUTOMATION CONTROL PANEL WIRING & CABLING DIAGRAM	227380-6
RIBCS SUBSTATIONS WITH E TYPE LV BOARD WITH OPTICAL ARC FLASH DETECTION FIBRE LOOPING AND GENERAL MOUNTING DETAILS	227350-5

REFERENCE DRAWINGS

AMD	DATE	DESCRIPTION	DRAWN BY	DESIGNED BY	CHECKED BY	APPROVED BY
3	04/06/2019	AMENDED CONTACT TYPES & QUANTITY ASSOCIATED WITH SW-1, SW-2, SW-3, SW-4, SW-5 & SW-6 IN HARMONY XB4 CONFIGURATION TABLE.	L.MARTINUZZI	L.MARTINUZZI	M.BENNETT	M.BENNETT
4	29/04/2021	OAP MODULE UPDATED	L.MARTINUZZI	M.BENNETT	L.MARTINUZZI	M.BENNETT
5	20/08/2024	LAC WAS SEL-3530. NETWORK SWITCH WAS RS8000. GENERATOR CONNECTION & CUSTOMER AUTOCLOSING FEATURES REMOVED. LAMPS WERE RAFL.	M.B.	M.B.	L.M.	M.B.



24 Campbell Street  
SYDNEY NSW 2000  
P: 9272 3805

SCALE	AS SHOWN
DESIGNED	-
DRAWN	E.KAIROUZ
CHECKED	L.MARTINUZZI
APPROVED	M.BENNETT
DATE	26/02/2015
TRIM REF	-
PROJECT NUMBER	OPEX-6923-1

CITY DISTRIBUTION SUBSTATIONS WITH E TYPE LV BOARD & OAFD DISTRIBUTION LOCAL AUTOMATION CONTROL PANEL LAYOUT & LABEL DETAILS