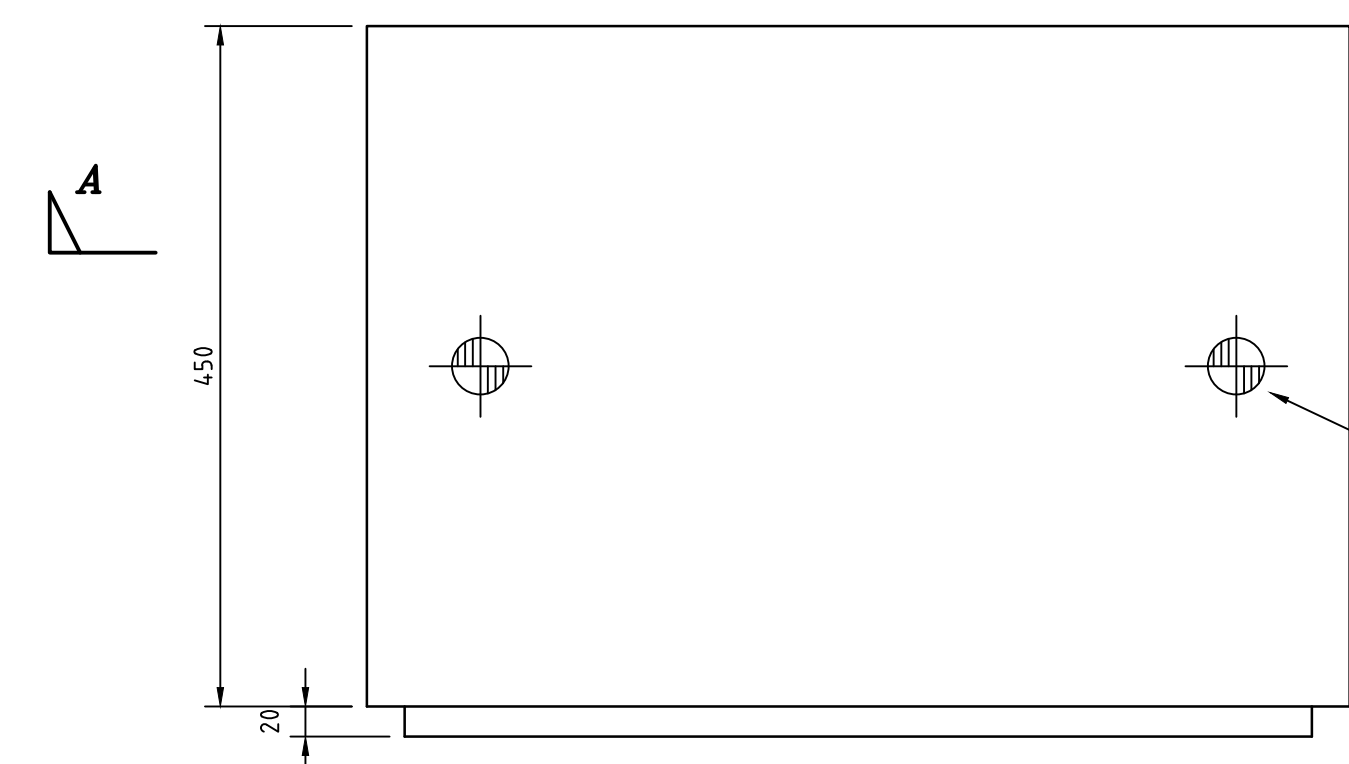
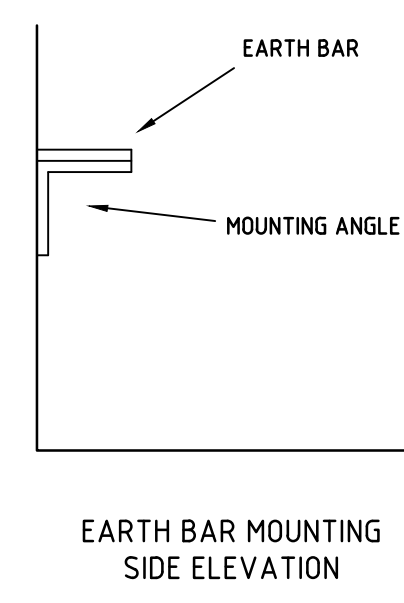
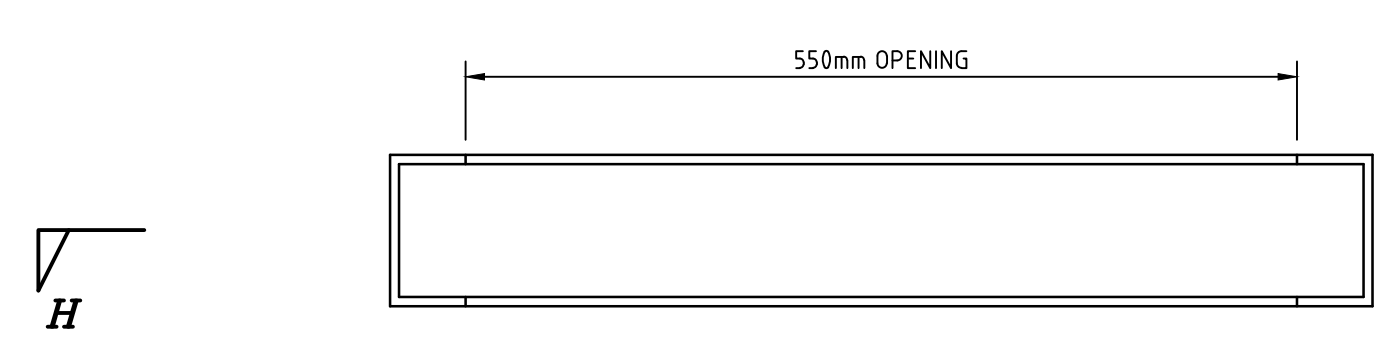


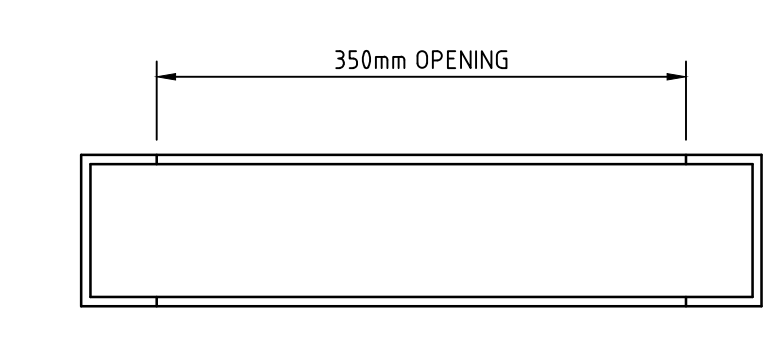
DETAIL 1  
EARTH BAR & MOUNTING  
SCALE 12



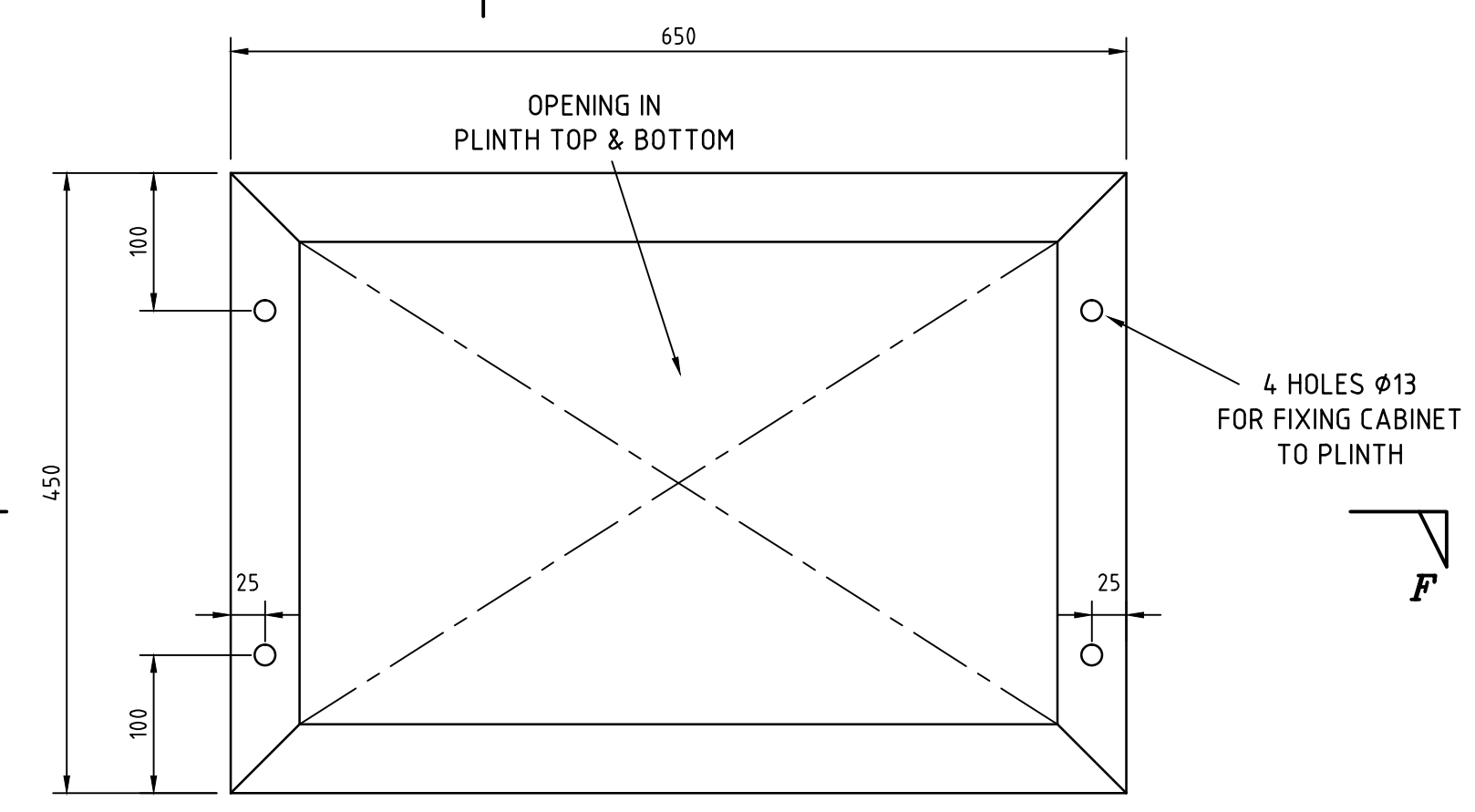
PLAN VIEW



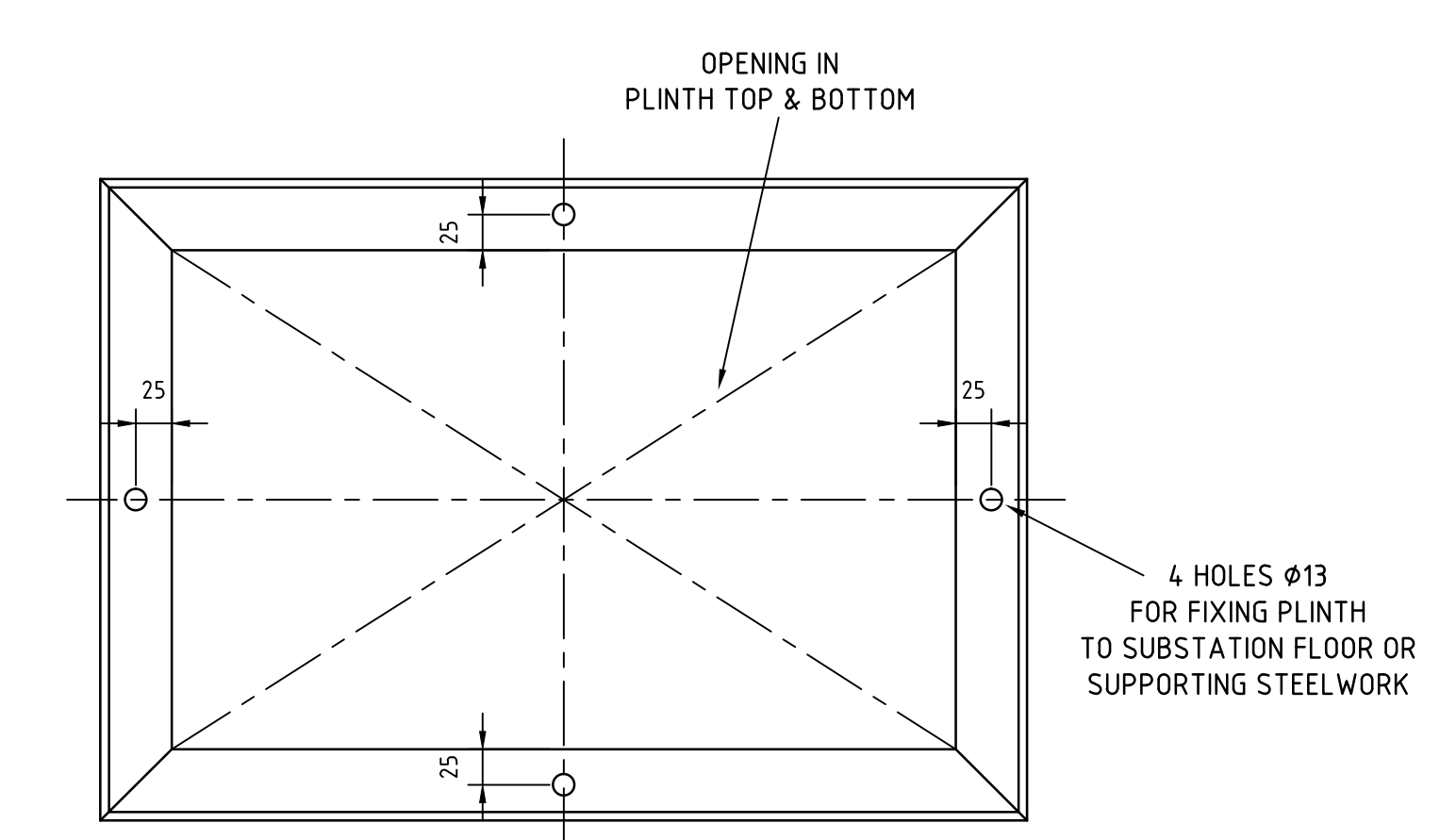
SECTION F-F



SECTION G-G



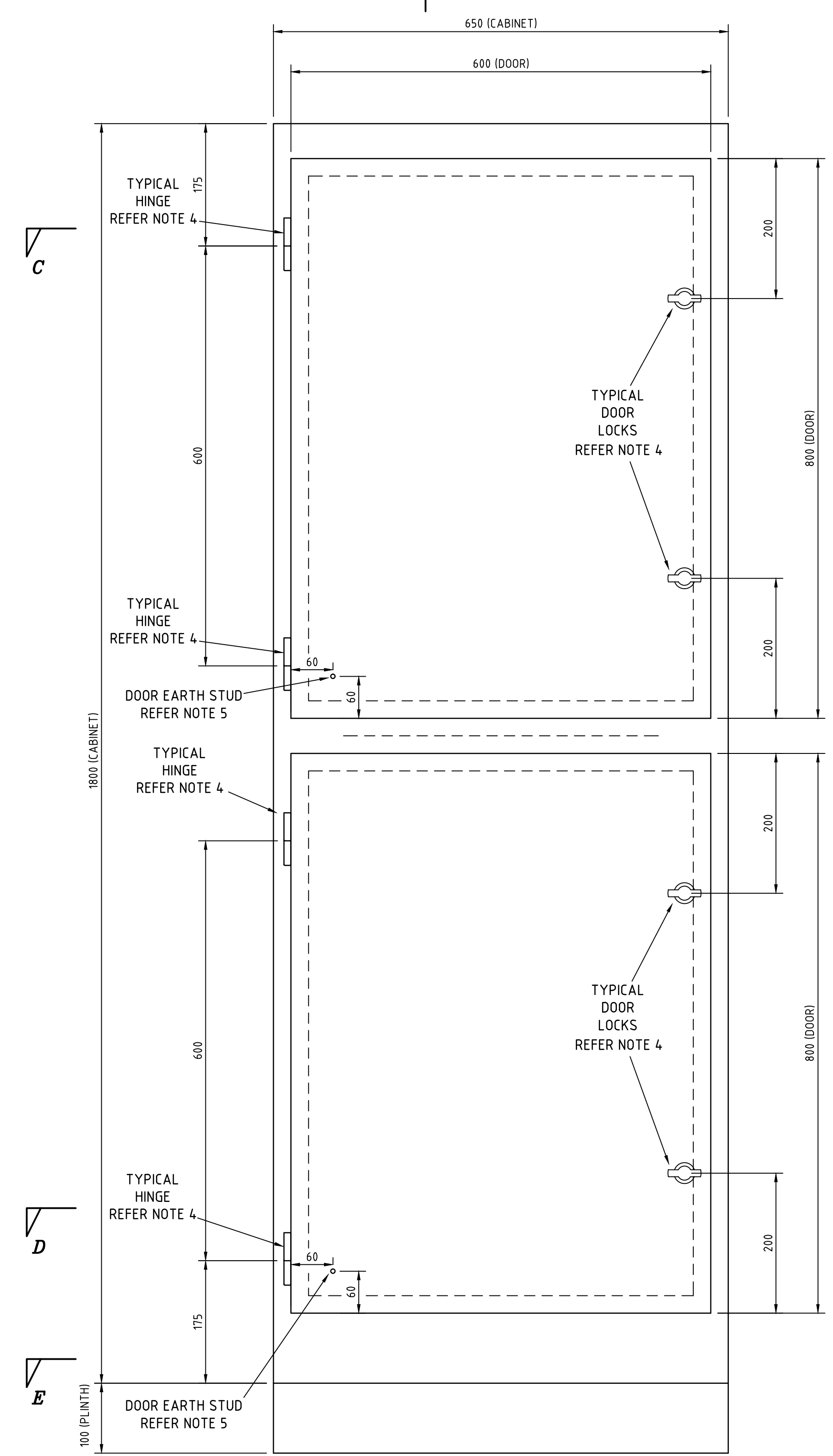
PLAN



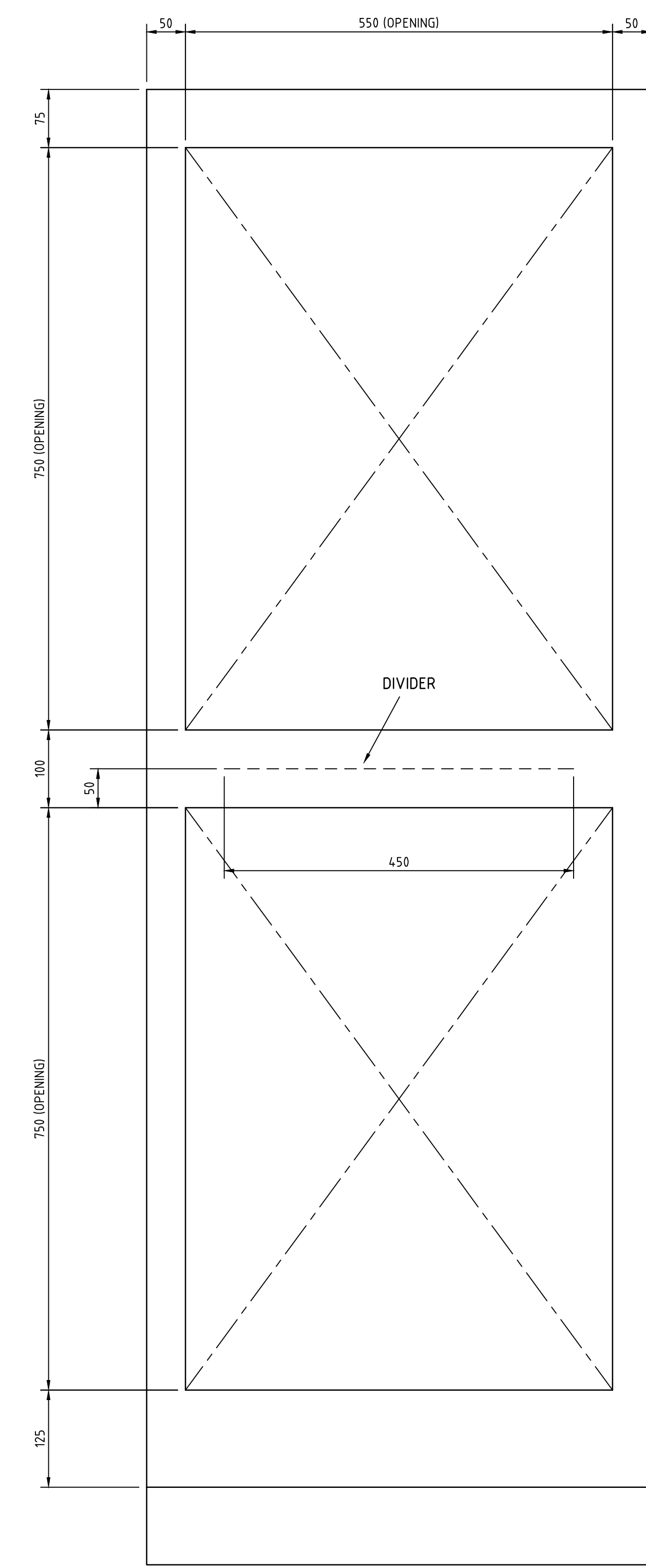
SECTION H-H

PLINTH  
REFER NOTES 6, 7 & 8  
SCALE 15

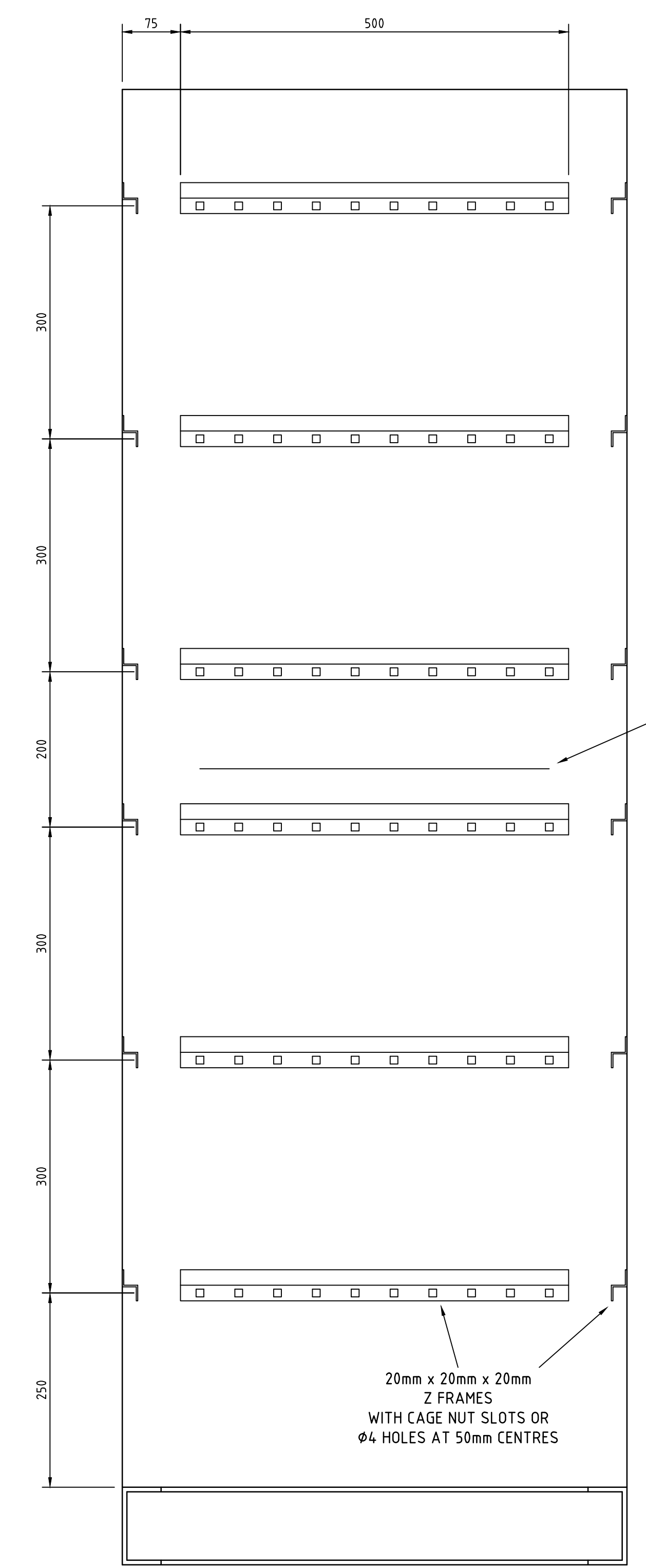
- NOTES**
1. THE CABINET, INCLUDING DOORS, Z FRAMES AND OTHER FITTINGS IS TO BE CONSTRUCTED FROM 2mm MILD STEEL. ALL JOINTS ARE TO BE SEAM WELDED TO AS1554 PART 1.
  2. ALL CABINET STEEL WORK IS TO BE DEBURRED AND THOROUGHLY CLEANED BEFORE POWDER COATING WITH M22 GLOSS LLOUD GREY. ANY DEFORMATIONS CAUSED BY WELDING ARE TO BE FILLED BEFORE POWDER COATING.
  3. EACH DOOR IS TO HAVE A RETURN OF NOT MORE THAN 20mm. ALL DOOR RETURNS ARE TO BE FITTED WITH A RUBBER SEAL FOR THEIR ENTIRE LENGTH.
  4. EACH DOOR IS TO BE FITTED WITH HEAVY DUTY DOOR HINGES AND "T" TYPE NON-KEYED HANDLES WHERE INDICATED. DOORS HANDLES AND HINGES CAN BE ON EITHER SIDE OF THE DOORS SO THIS DRAWING SHOWS TYPICAL LOCATIONS. THE INDIVIDUAL PANEL LAYOUT DRAWING WILL SHOW THE SUITABLE DOOR HANDLE AND HINGE LOCATIONS.
  5. A DOOR EARTH STUD IS TO BE PROVIDED ON EACH DOOR. EACH STUD IS TO BE M6 x 25mm FIRED ON THE POSITIONS SHOWN.
  6. THE EARTH BAR IS TO BE MADE FROM 25mm x 3mm HDHC COPPER AS PER DETAIL 1. IT IS TO BE MOUNTED WHERE INDICATED ON 25mm x 3mm MS GALV MS ANGLE BRACKETS. THE BRACKETS ARE TO BE WELDED TO THE CABINET. GALVANISING IS TO BE RESTORED TO THE WELDS AND SURROUNDING AREA WITH A CORROSION RESISTANT PRODUCT SUCH AS "ZINCFIX". THE EARTH BAR IS TO BE FIXED TO THE ANGLES WITH 6mm STAINLESS STEEL BOLTS. THE CONTACT SURFACES OF THE EARTH BAR AND ANGLE BRACKETS ARE TO BE CLEANED TO ENSURE GOOD ELECTRICAL CONDUCTIVITY BEFORE ASSEMBLY.
  7. THE PLINTH IS TO BE MADE FROM 100mm x 50mm x 6mm CHANNEL. ALL JOINTS ARE TO BE WELDED TO AS 1554 PART 1.
  8. THE COMPLETED PLINTH IS TO HOT DIP GALVANISE TO AS 4.680.
  9. THE CABINET IS TO BE BOLTED TO THE PLINTH WITH GALVANISED 12mm NUTS AND BOLTS.
  10. DRILLING FOR RELAYS, LINKS ETC IS SHOWN ON THE INDIVIDUAL PROTECTION PANEL DRAWINGS.
  11. THE CABINET IS TO BE SUITABLY REINFORCED TO ALLOW FOR THE FITTING OF LIFTING RINGS IN THE POSITIONS SHOWN. LIFTING RINGS ARE TO BE CAPABLE OF LIFTING THE COMBINED WEIGHT OF THE CABINET AND PLINTH. ANY REINFORCING USED IS NOT TO ENCRUCH MORE THAN 100mm INTO THE CABINET.



FRONT VIEW  
WITH DOORS  
SCALE 15

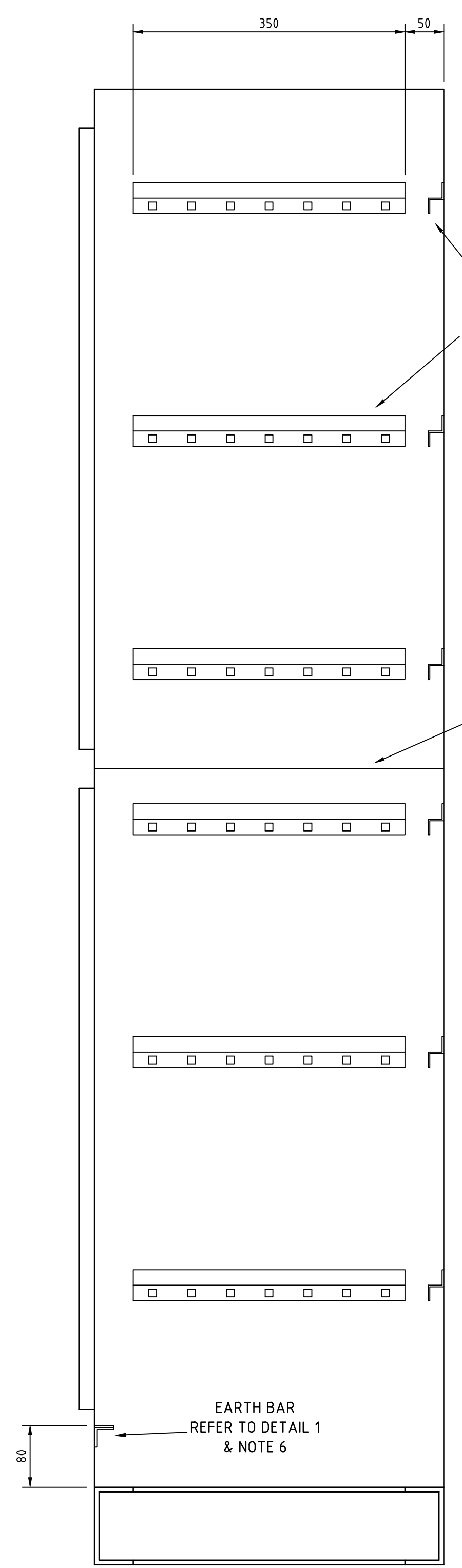


FRONT VIEW  
WITHOUT DOORS  
SCALE 15

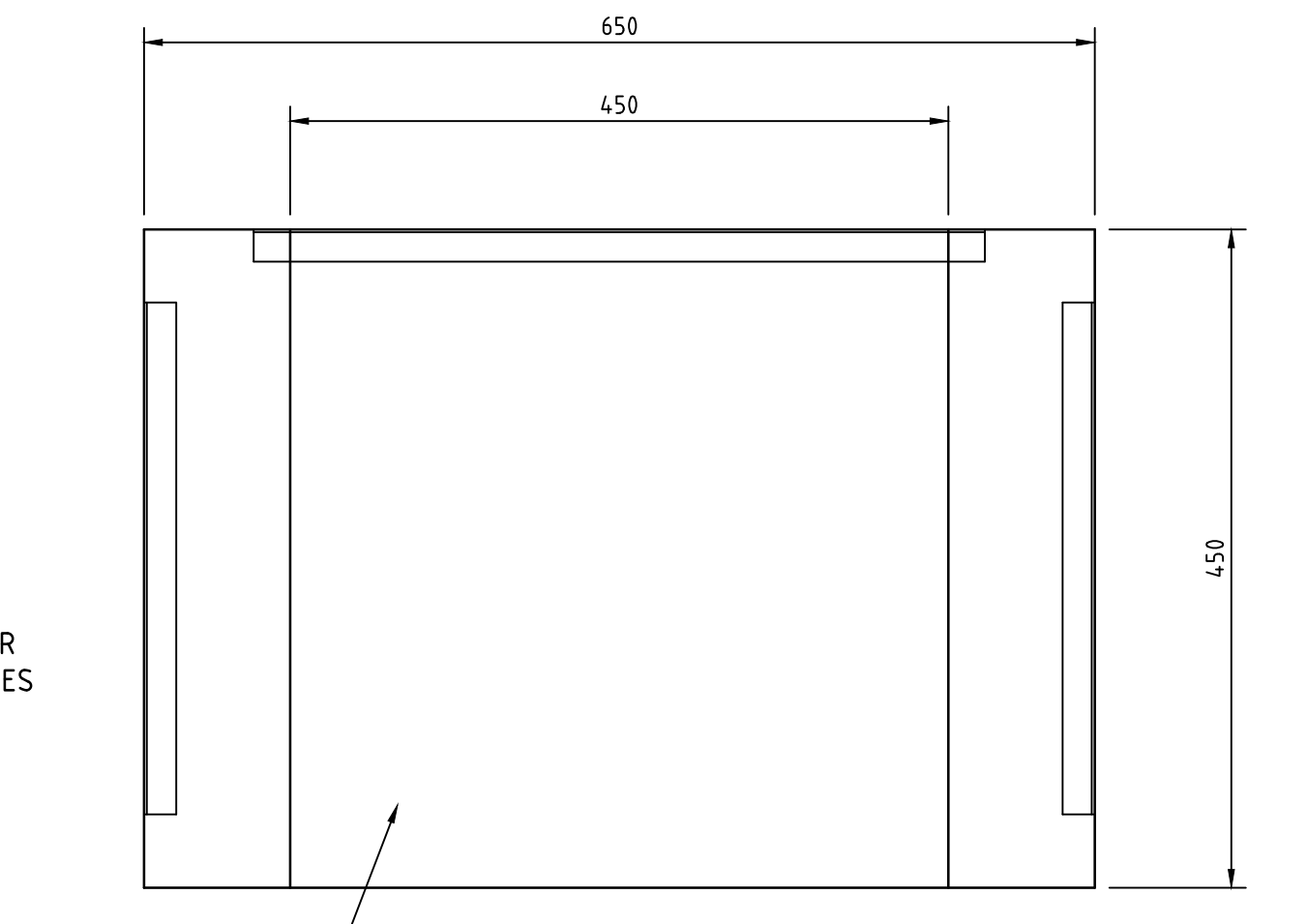


SECTION A-A

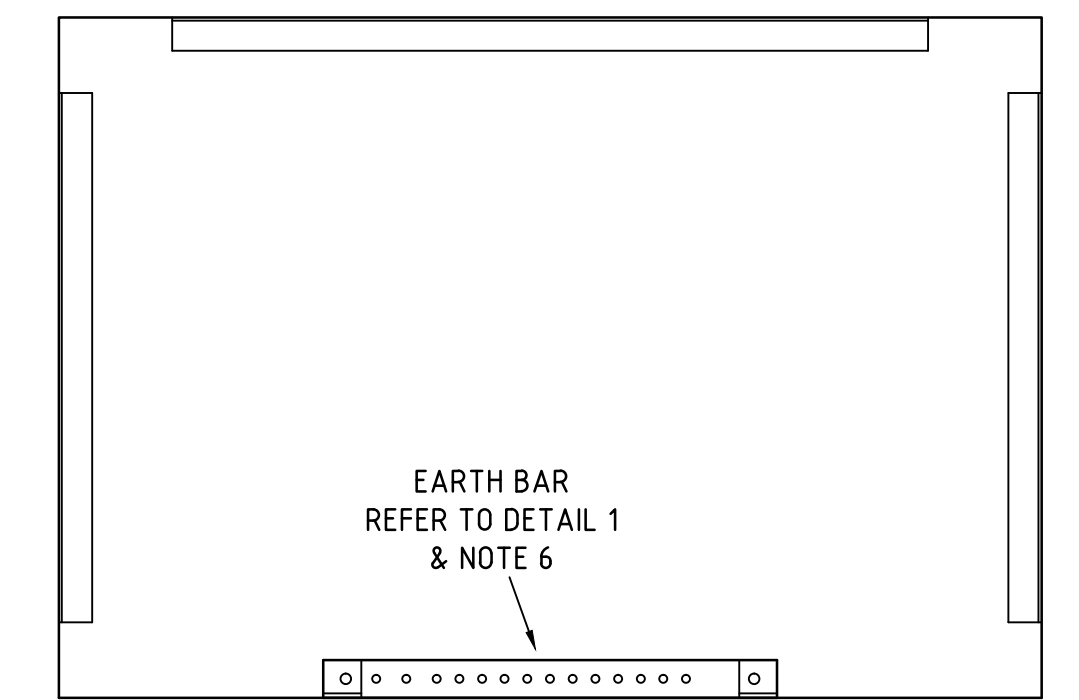
CABINET  
WITH PLINTH ATTACHED  
SCALE 15



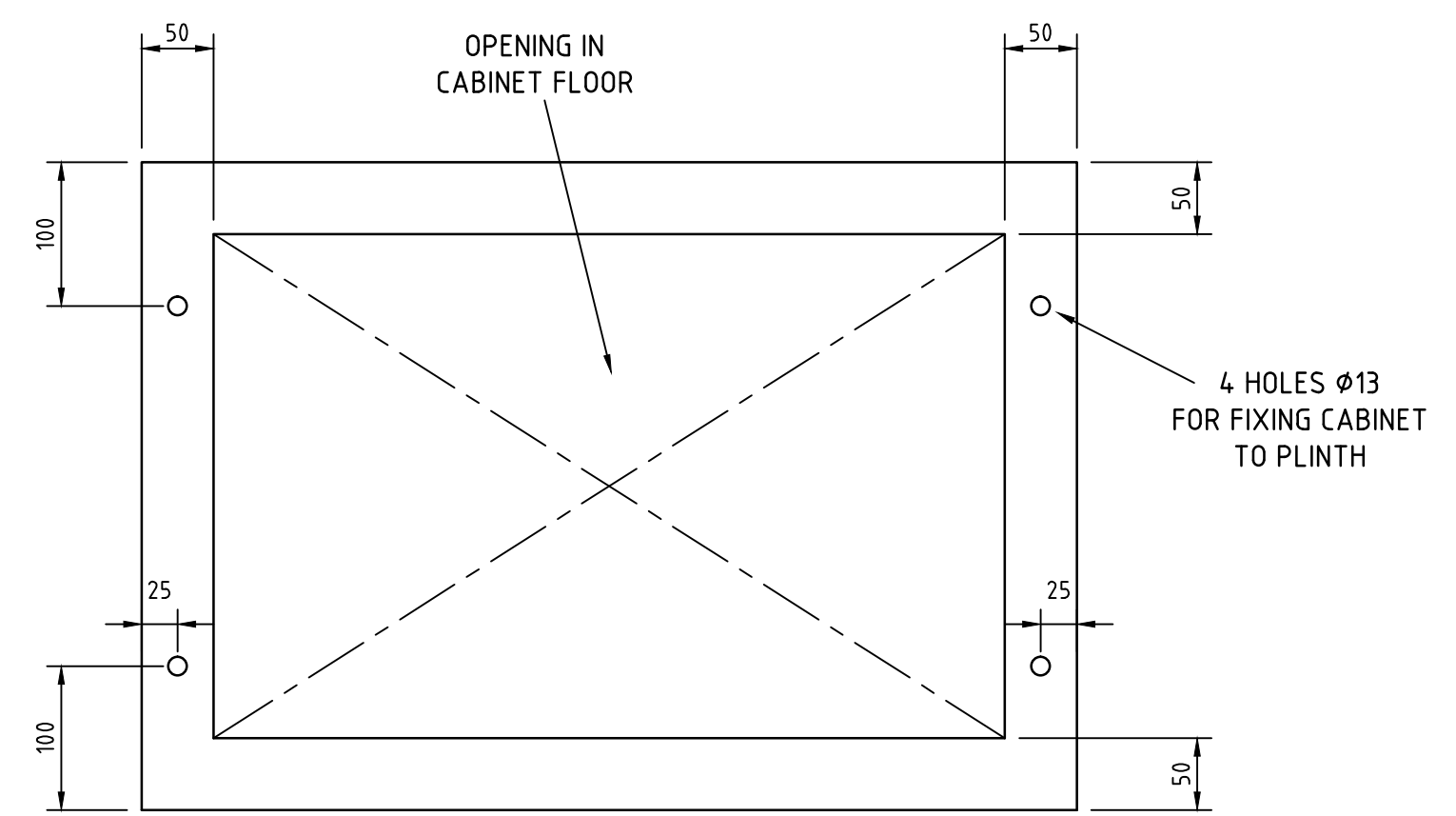
SECTION B-B



SECTION C-C



SECTION D-D



SECTION E-E

CAD DRAWING  
DRAWN BY: J. JARVIS  
CHECKED BY: P. JARVIS  
APPROVED BY: P. EASTON  
DATE: 7.12.09  
PROJECT NUMBER: 208/6/9/4



|                |           |
|----------------|-----------|
| SCALE          | AS SHOWN  |
| DESIGNED       | P. JARVIS |
| DRAWN          | P. JARVIS |
| CHECKED        | P. EASTON |
| APPROVED       | P. EASTON |
| DATE           | 7.12.09   |
| PRJTRK No.     | -         |
| PROJECT NUMBER | 208/6/9/4 |

CITY DISTRIBUTION SUBSTATIONS  
FREE STANDING PROTECTION CABINET  
SPECIFICATION

DRAWING No. 205952 SHEET 1 AMD 1 SIZE A0