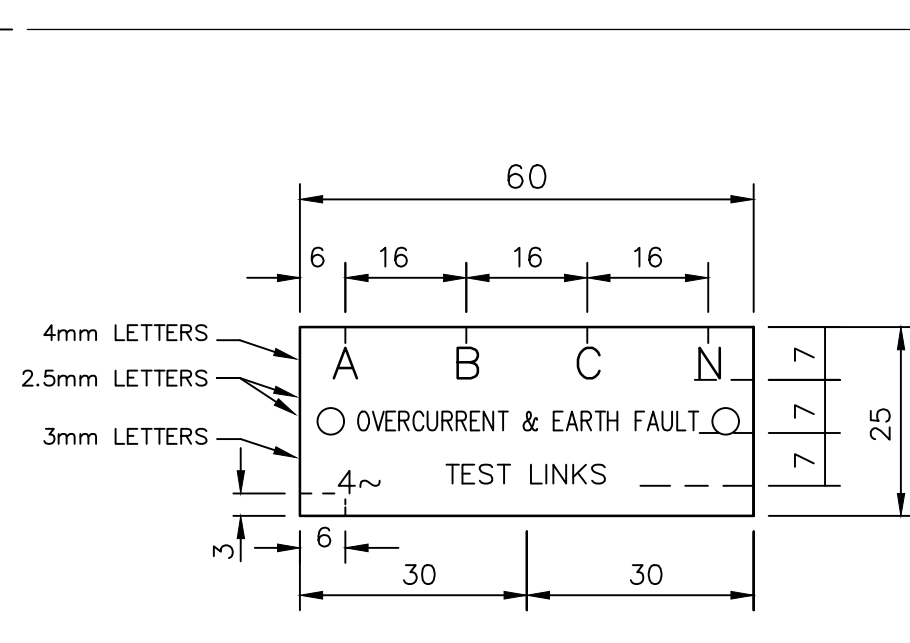
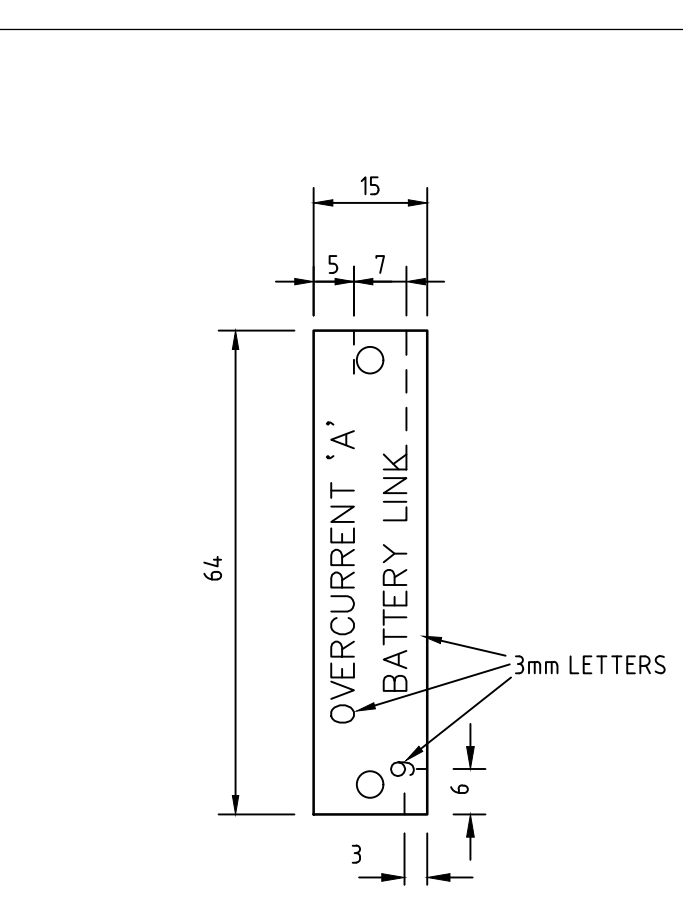


LABEL DETAILS

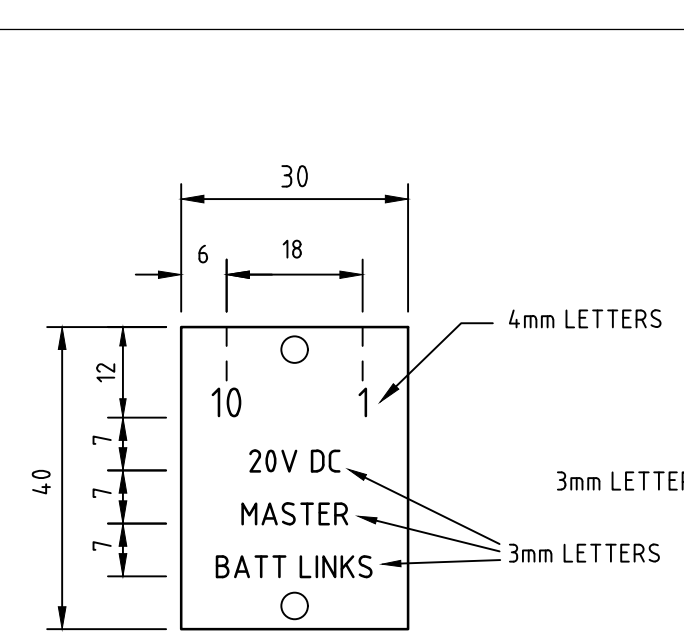
LABEL SIZE 5C1



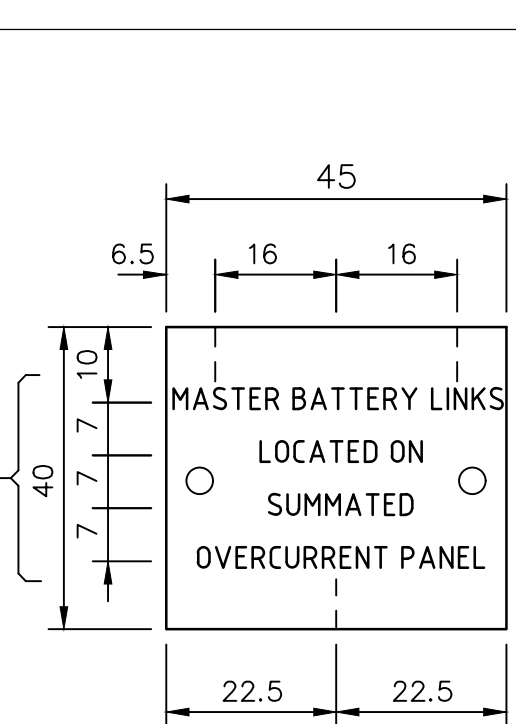
LABEL SIZE 5C2



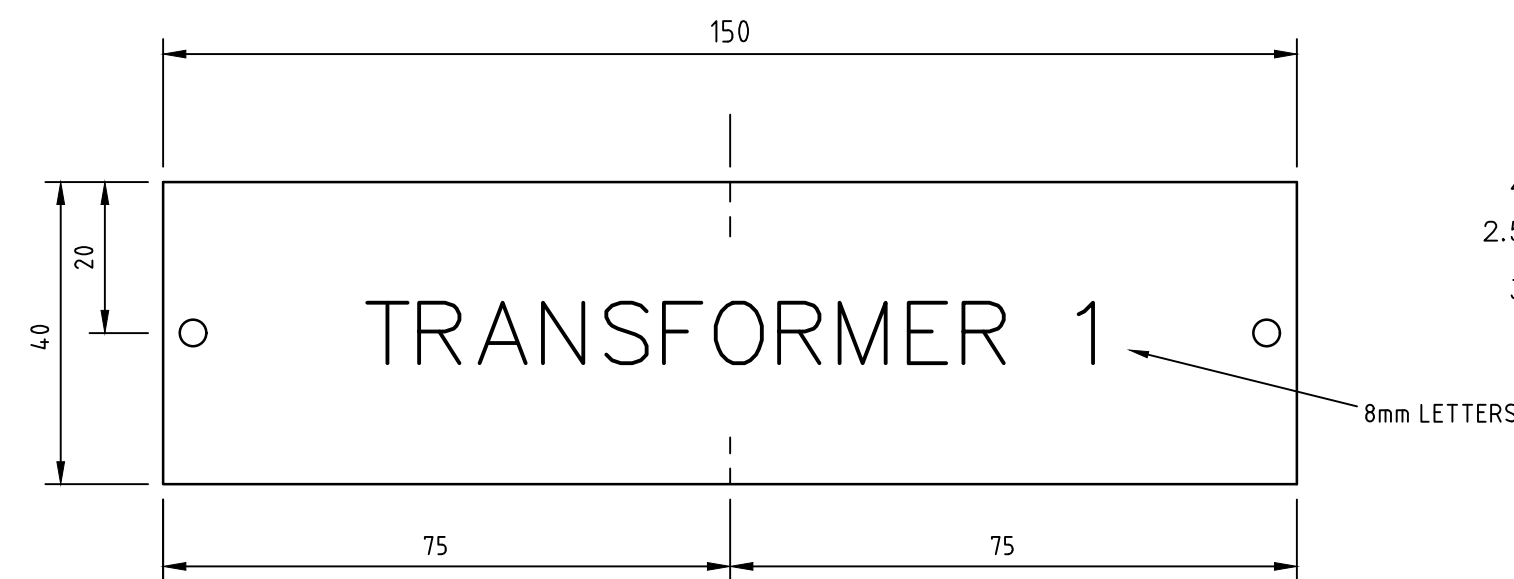
LABEL SIZE C3 OR 5C3



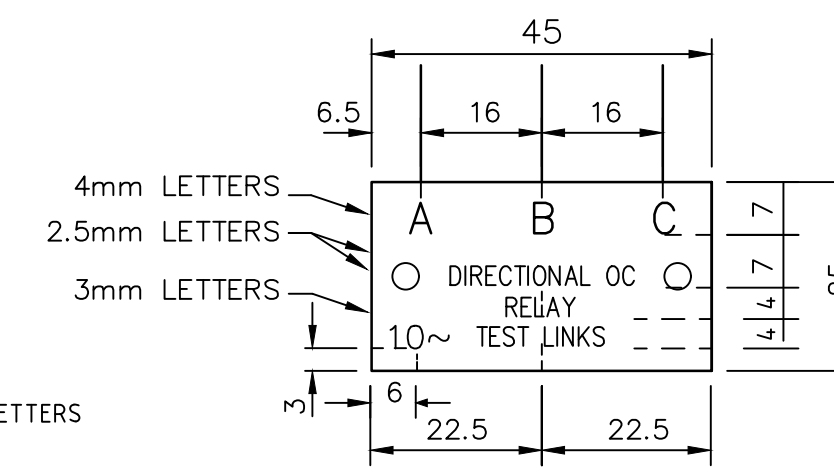
LABEL SIZE 5C4



LABEL SIZE C8



LABEL SIZE 5C10



NOTES

GENERAL

- THIS DRAWING PROVIDES INFORMATION FOR MOULDED LINKS AND LABELS USED IN DISTRIBUTION SUBSTATIONS. THE INFORMATION SHOWN HAS BEEN EXTRACTED FROM STANDARD PROTECTION DESIGN DRAWINGS AND INSTRUCTIONS.
- THIS DRAWING IS TO BE READ IN CONJUNCTION WITH RELEVANT NETWORK STANDARDS.

LABELS

- LABELS ARE TO BE MANUFACTURED FROM OPAQUE MULTI-LAMINATE MATERIAL SUCH AS GRANOPLY OR TRAFFOLYTE. LABEL COLOURS ARE SPECIFIED IN THE LABEL DETAILS TABLE FOUND ON THE INDIVIDUAL PROTECTION PANEL DRAWING.
- EDGES OF LABELS ARE TO BE CHAMFERED 30° AS SHOWN.
- ALL LETTERING IS TO BE ENGRAVED ONTO THE LABELS. ENGRAVING IS TO USE A CONDENSED UPPERCASE FONT POSITIONED AROUND THE SET OUT LINES AS SHOWN ON THIS DRAWING.
- THE WORDING SHOWN ON LABELS ON THIS DRAWING IS TYPICAL ONLY. REFER TO THE LABEL DETAILS TABLE FOUND ON THE INDIVIDUAL PANEL DRAWING FOR THE WORDING TO SUIT THE PANEL BEING CONSTRUCTED.
- LABELS ARE TO BE FIXED TO THE PANEL WITH EITHER 5mm #4 SELF TAPPING PAN HEAD SCREWS OR WHITE PLASTIC RIVETS. SUITABLE PLASTIC RIVETS INCLUDE HEYCO WHITE NYLON PUSH RIVETS (PART No9039) OR RS COMPONENTS (CAT:280-925, 200/BAG). OTHER BRANDS OF PLASTIC RIVETS MAY BE USED PROVIDED THEIR PERFORMANCE AND PROPERTIES ARE NOT LESS THAN THOSE SPECIFIED.
- LABEL DRILLING DETAILS
 'X' HOLES ARE Ø2.6 FOR SCREW FASTENING OF LABEL.
 'Y' HOLES ARE Ø3 FOR PLASTIC RIVET FASTENING OF LABEL.
 'Z' HOLES ARE Ø3.5

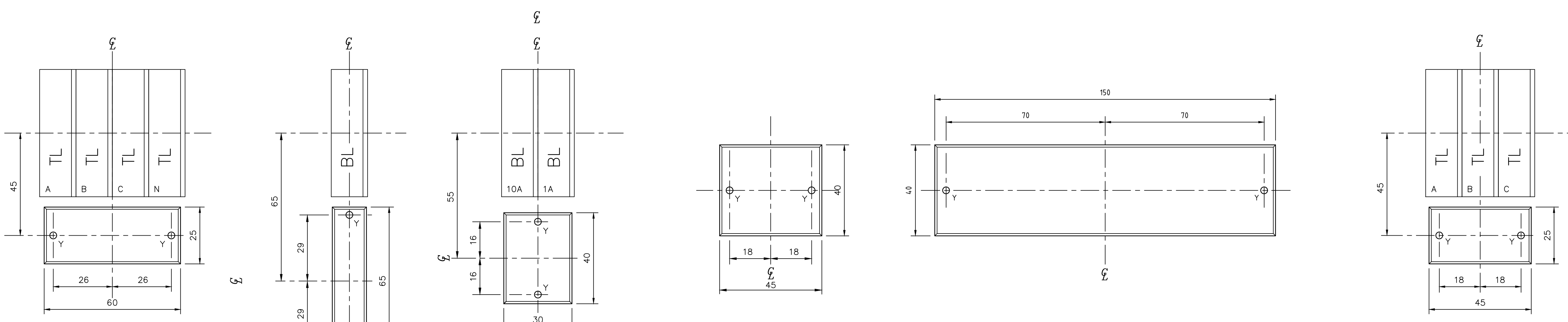
MOULDED LINKS

- MOULDED LINKS ARE AVAILABLE FROM AUSGRID UNDER STOCKCODE H28494. NO OTHER TYPE OR BRAND OF LINK CAN BE USED.
- MOULDED LINK ASSEMBLIES ARE TO BE FITTED TO PANELS SUCH THAT THE SLIDING LINK WILL FALL OPEN WHEN ITS FIXING CLAMP IS OPENED.

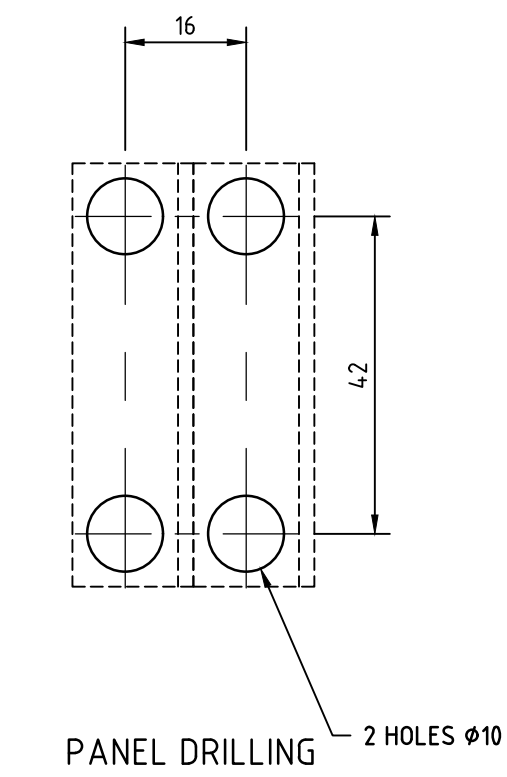
ENGRAVING DETAILS REFER NOTE 6

LABEL LOCATION

PANEL DRILLING



MOULDED LINK DETAILS



<p>CAD DRAWING DO NOT MANUALLY AMEND</p> <p>AMENDMENTS</p> <p>1. ADDITIONAL ENGRAVING INFORMATION ADDED TO LABELS C1, C2 & C8. LABEL C4 ADDED.</p> <p>2. NEW AUSGRID BORDER & LOGO ADDED.</p> <p>3. BORDER & TITLE LOCK UPDATED. ALL LABELS WERE FOR 6mm LINKS. NOW CHANGED TO 5mm LINKS.</p> <p>28/07/2008 P. JARVIS P. EASTON P. EASTON</p> <p>30/05/2013 P. JARVIS P. EASTON</p> <p>24/10/2024 M. BENNETT L. MARTINIZZI M. BENNETT</p>	<p>SCALE 1:1</p> <p>DESIGNED -</p> <p>DRAWN P. JARVIS</p> <p>CHECKED W. BYRNE</p> <p>APPROVED P. EASTON</p> <p>DATE 12/04/2007</p> <p>TRIM REF -</p>	<p>CITY & SUBURBAN DISTRIBUTION SUBSTATIONS PROTECTION PANELS MOULDED TYPE LINKS & LABEL DETAILS</p>
	<p>ISSUED FOR CONSTRUCTION</p> <p>PROJECT NUMBER ES 103-59-1-6</p> <p>DRAWING No 178241</p> <p>SHEET 1</p> <p>AMD 3</p> <p>SIZE B1</p>	