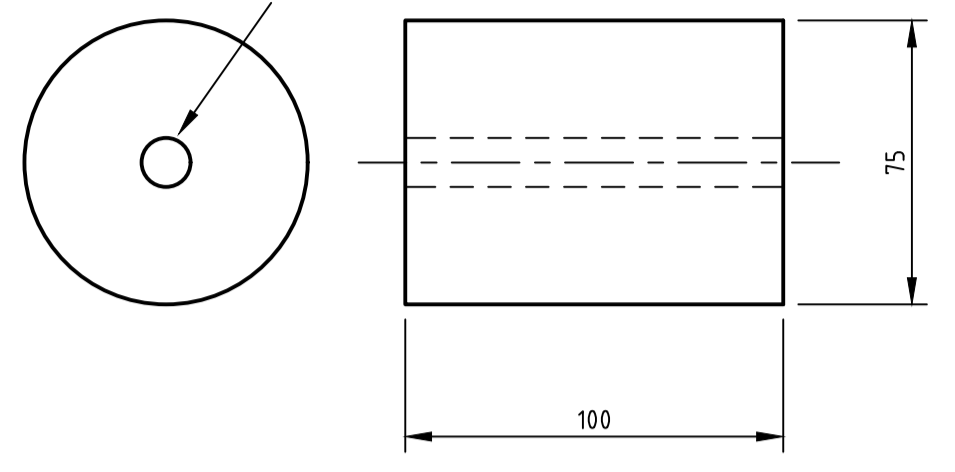
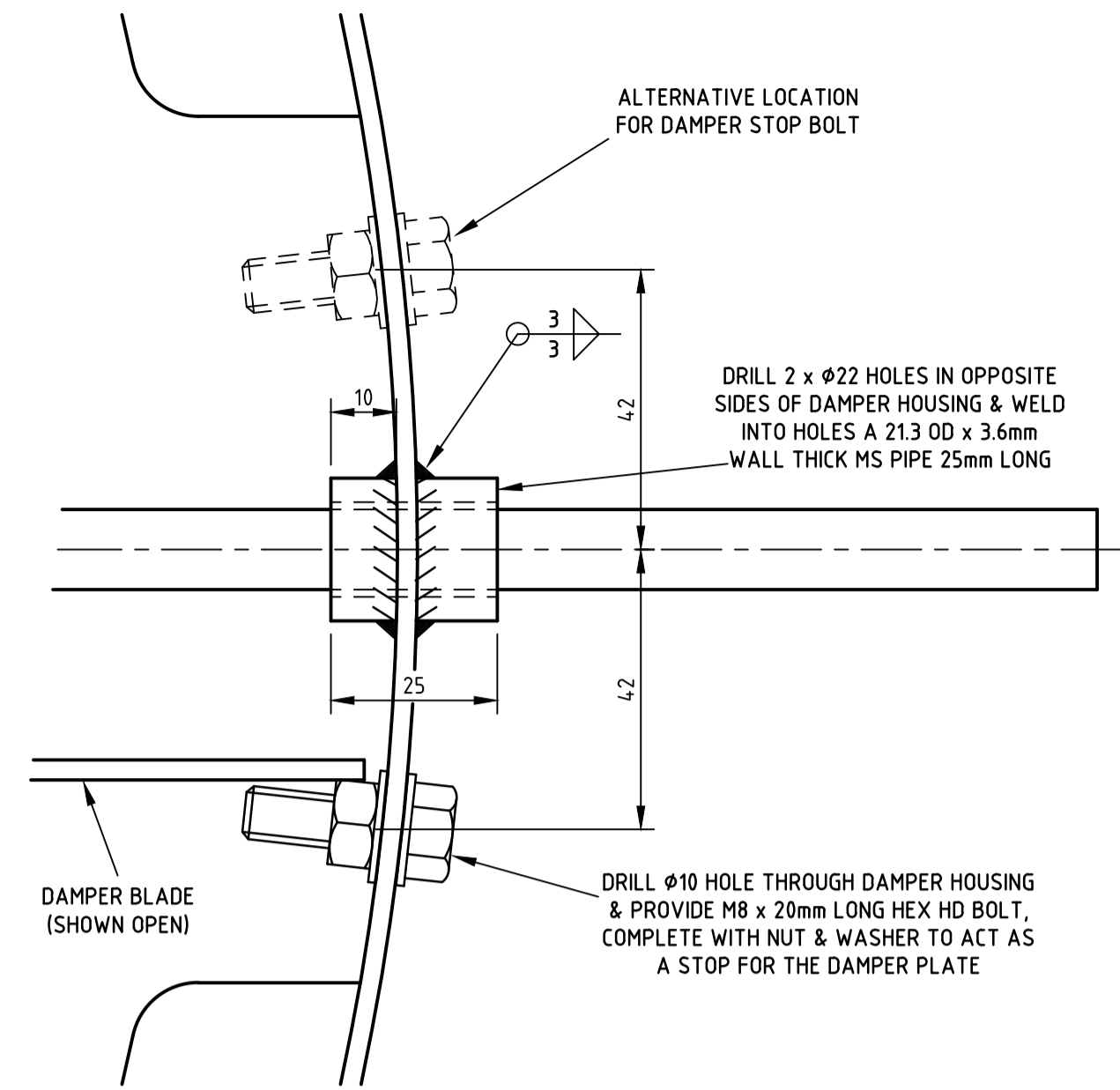


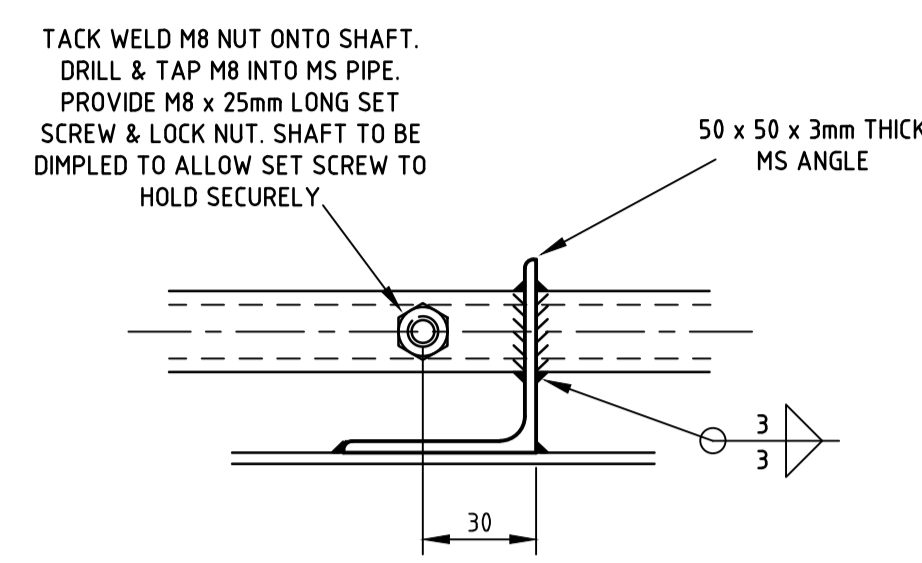
ITEM 8 - FAN DAMPER CRANK ARM
SCALE 1:2



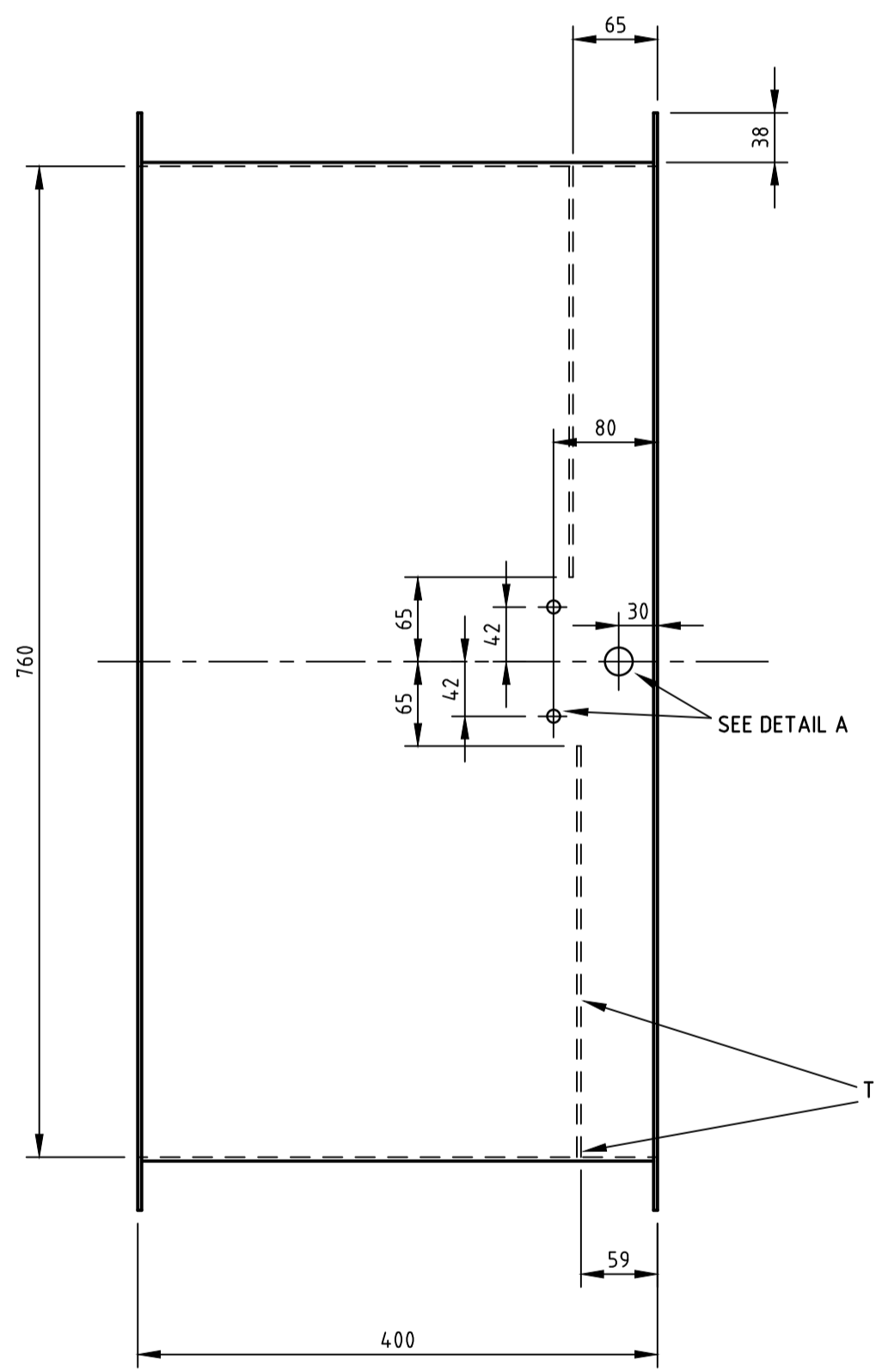
ITEM 10 - FAN DAMPER COUNTER WEIGHT
SCALE 1:2
MATERIAL - 75mm DIAMETER BRIGHT STEEL ROUND BAR APPROX 3kg



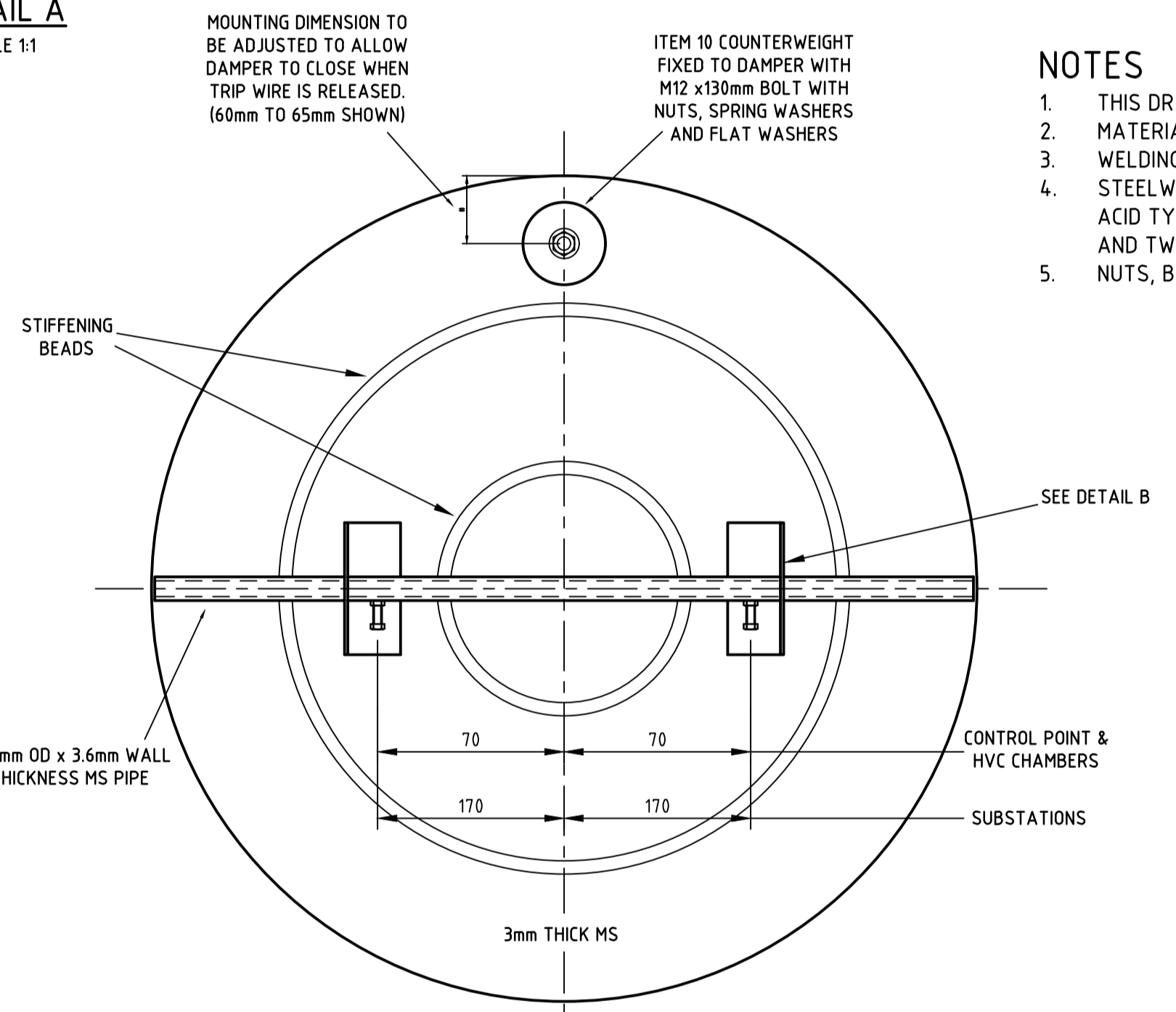
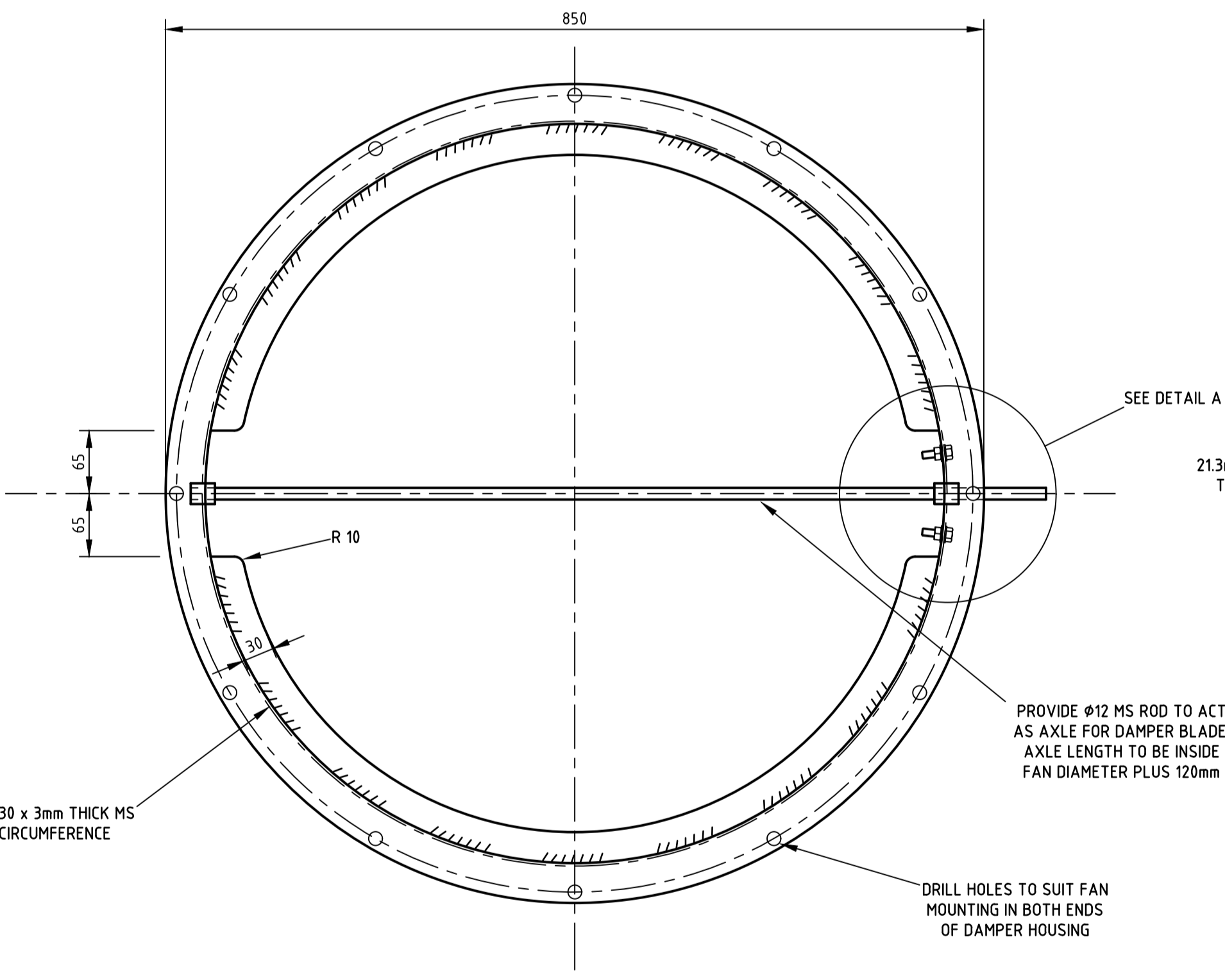
DETAIL A
SCALE 1:1



DETAIL B
SCALE 1:2



ITEM 5 - FAN DAMPER HOUSING
SCALE 1:5
MATERIAL - 3mm THICK MS



ITEM 7 - DAMPER BLADE ASSEMBLY
SCALE 1:5

NOTES

1. THIS DRAWING IS TO BE READ IN CONJUNCTION WITH NETWORK STANDARD 113.
2. MATERIALS AND WORKMANSHIP TO BE IN ACCORDANCE WITH AS 4100.
3. WELDING TO BE IN ACCORDANCE WITH AS 1554 PART 1.
4. STEELWORK TO BE THOROUGHLY CLEANED THEN TREATED WITH A PHOSPHORIC ACID TYPE RUST INHIBITOR FOLLOWED BY ONE COAT OF ZINC CHROMATE PRIMER AND TWO COATS OF GRAY ENAMEL.
5. NUTS, BOLTS 7 WASHERS ARE TO BE HOT DIP GALVANISED TO AS 1214.

REFERENCE DRAWINGS
DISTRIBUTION SUBSTATIONS
CBD BASEMENT SUBSTATION EXHAUST FAN ASSEMBLY - 117632

CAD DRAWING DO NOT MANUALLY AMEND AMENDMENTS	5. NEW DRAWING MADE: DRAWING RE-TITLED AND ALTERED TO ALIGN WITH NETWORK STANDARDS. ITEM 8, 10, 7, 5, 10, 7, 5 COUNTER WEIGHT REMOVED FROM ITEM 8. SIZE & SHAFT REVISED. ITEM 10 ADDED.
	22/09/2017 P. JARVIS CHECKED: P. TURRIN APPROVED: D. GRCEV
6. BORDER & TITLE BLOCK UPDATED:	09/09/2024 M. BENNETT CHECKED: L. MARTINOZZI APPROVED: M. BENNETT

Ausgrid
24-28 Campbell Street
SYDNEY NSW 2000

SCALE	AS SHOWN
DESIGNED	-
DRAWN	CS
CHECKED	RM
APPROVED	JH
DATE	06/1990
TRIM REF	-
PROJECT NUMBER	24156

DISTRIBUTION SUBSTATIONS CBD BASEMENT SUBSTATIONS EXHAUST FAN DAMPER DETAILS			
DRAWING No	117633	SHEET	1
AMD	6	SIZE	A1