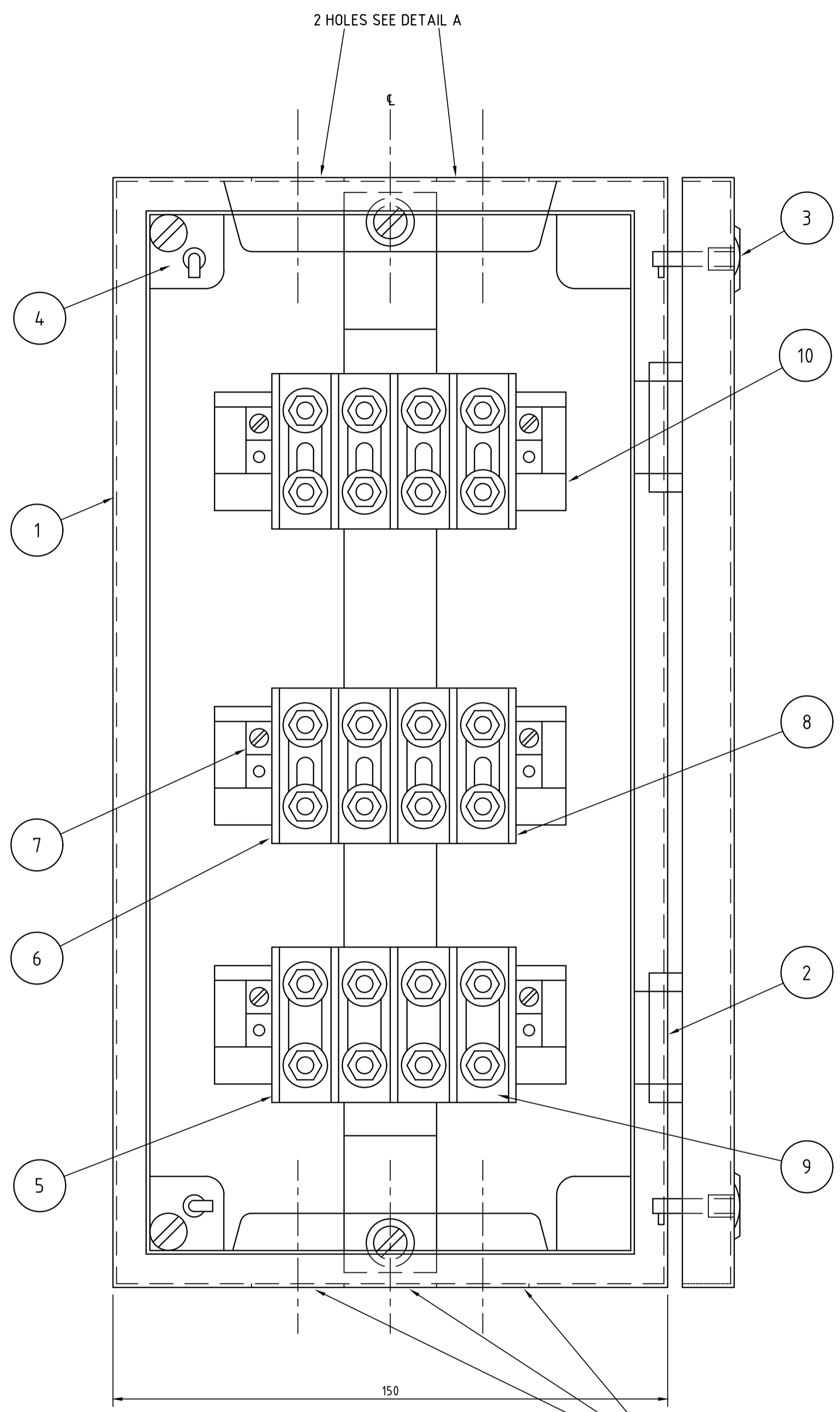
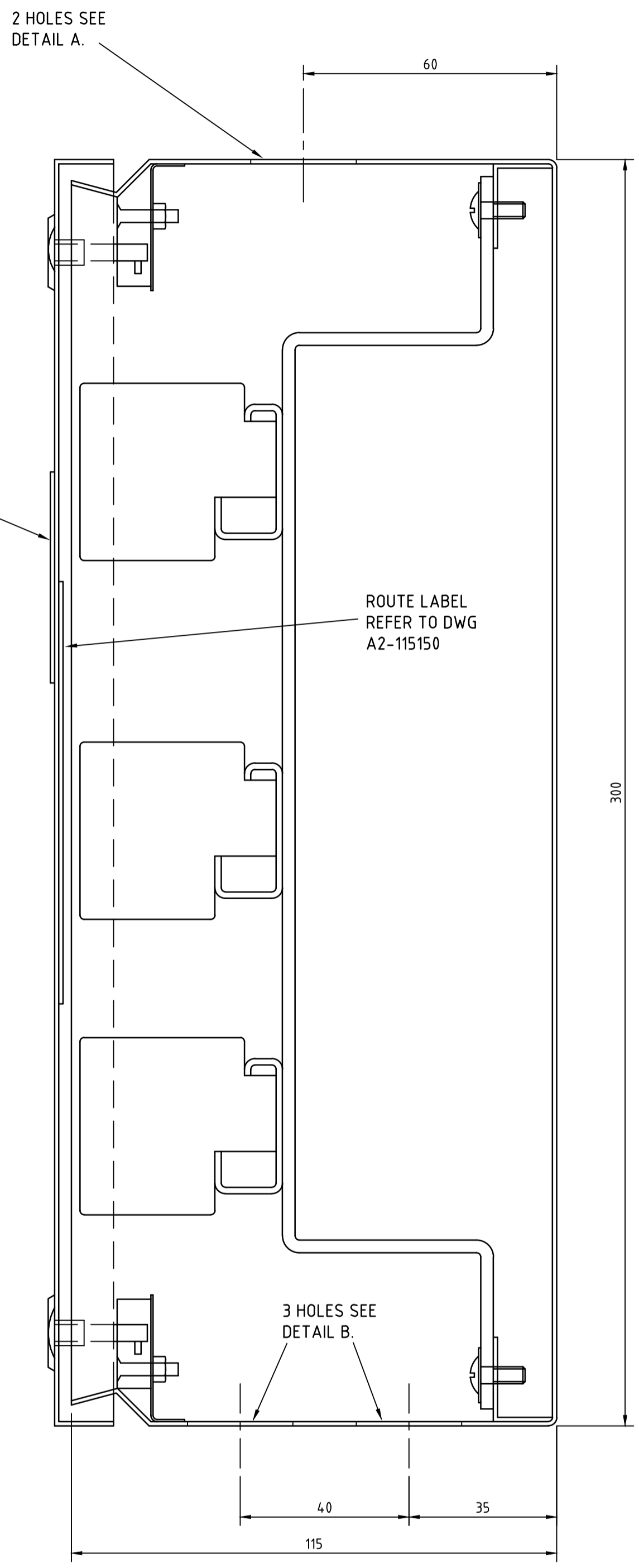


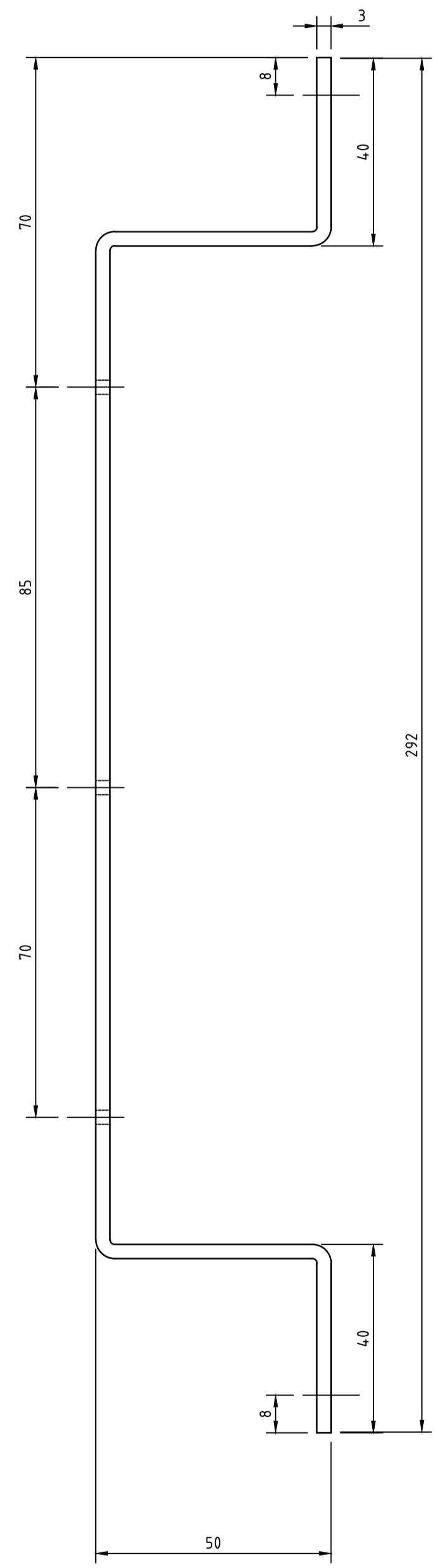
REFERENCE DRAWINGS.	
CITY DISTRIBUTION CENTRES PILOT ISOLATING AND INTERCONNECTOR PILOT BOXES LABEL DETAILS.	A2-115150
CITY DISTRIBUTION CENTRES PILOT ISOLATING AND INTERCONNECTOR PILOT BOXES CONNECTION DETAILS.	A1-116004



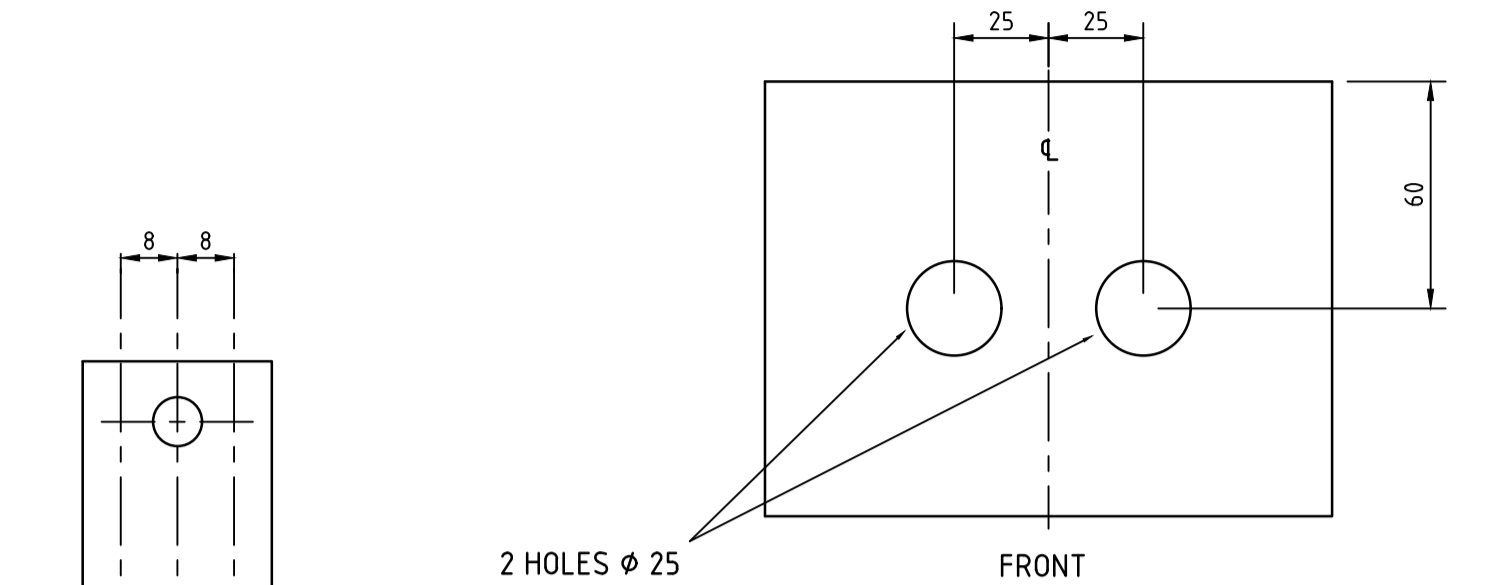
ELEVATION  
(LID OPEN)  
SCALE 1:1



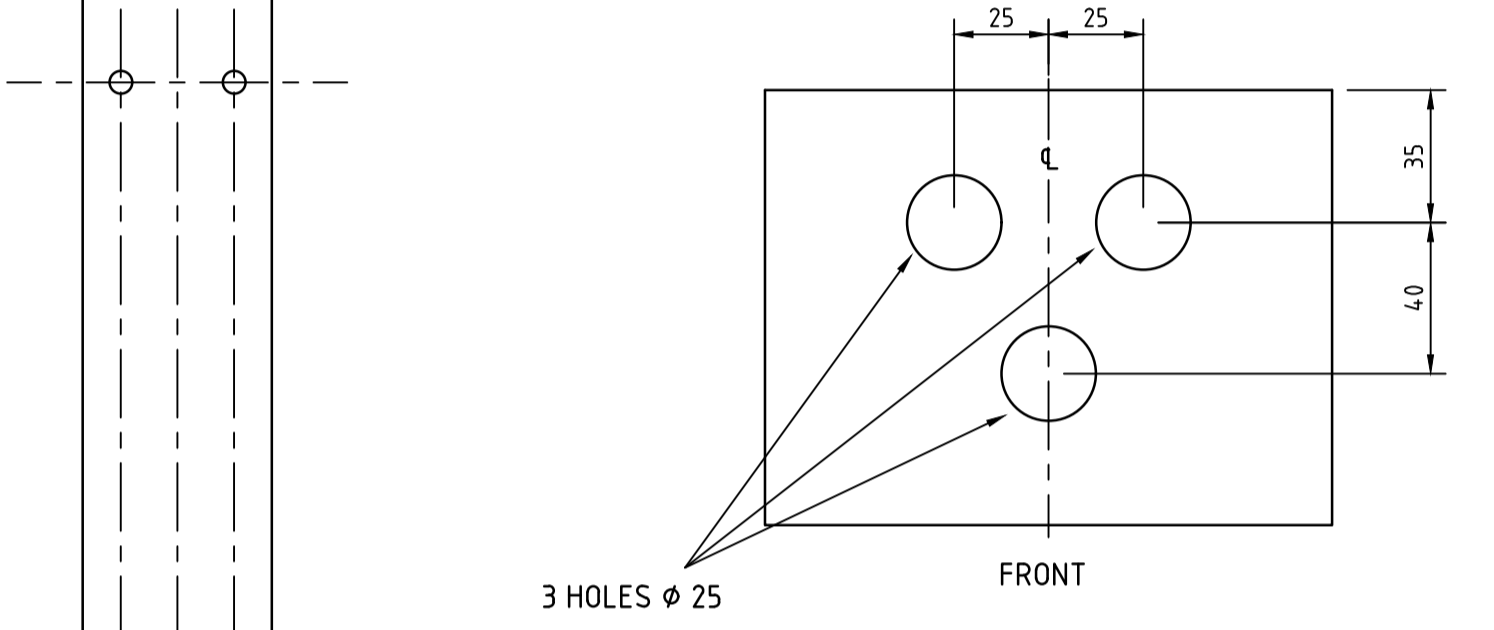
SECTION  
(LID CLOSED)  
SCALE 1:1



BRACKET  
MILD STEEL  
SCALE 1:1  
(REFER NOTE 1)



DETAIL A  
SCALE 1:2



DETAIL B  
SCALE 1:2

NOTES

1. BRACKET TO BE FREE OF BURRS, THOROUGHLY CLEANED AND TREATED WITH A PHOSPHORIC ACID TYPE RUST INHIBITOR FOLLOWED BY ONE (1) COAT OF ZINC CHROMATE-RED OXIDE PRIMER FOLLOWED BY TWO (2) COATS OF WHITE ENAMEL PAINT.

6 HOLES FOR POP RIVETS.

2 HOLES  $\phi$  6.5

ITEM	DESCRIPTION	CAT N°	N° REQD
10	MOUNTING RAIL UTILUX - 95mm LONG.	H2233	3
9	TRANSPARENT COVER - UTILUX 66mm LONG	H3822	3
8	END PLATE - UTILUX	H3821	3
7	END CLAMP - UTILUX	H2232	6
6	TERMINALS - UTILUX	H3869	8
5	TERMINALS - UTILUX	H3820	4
4	LOCK PLATE - RITTAL.		2
3	COVERSCREWS - RITTAL	KL1593	2
2	HINGES - RITTAL	KL1592	2
1	ENCLOSURE - RITTAL	KL1501	1

LEGEND

CAD DRAWING DO NOT MANUALLY AMEND	
6. NEW DRAWING MADE.	
REVISIONS	
NOTE DELETED. NOTE 2	
REVISIONS	
REF DWG. ADDED.	
DRB	20/02/1989
CHECKED:	ALC
PN:	231777
7. REF. 612.	
KLIPPON PARTS REPLACED BY UTILUX PARTS.	
DRB	08/11/1989
CHECKED:	ASK
PN:	24265
8. NEW AUSGRID BORDER & LOGO ADDED.	
RLAALAA	18/09/2013
APPROVED:	T.LAMPARD
9. BORDER & TITLE BLOCK UPDATED.	
M.BENNETT	24/10/2024
CHECKED:	L.MARTINUZZI
APPROVED:	M.BENNETT



SCALE	AS SHOWN
DESIGNED	-
DRAWN	AJE
CHECKED	DJO
APPROVED	JH
DATE	06/05/1987
TRIM REF	-
PROJECT NUMBER	22635

CITY DISTRIBUTION CENTRES PILOT ISOLATION BOXES & INTERCONNECTOR PILOT BOXES GENERAL ARRANGEMENT			
ISSUED FOR CONSTRUCTION	DRAWING No 115065	SHEET 1	AMD 9
			SIZE A1