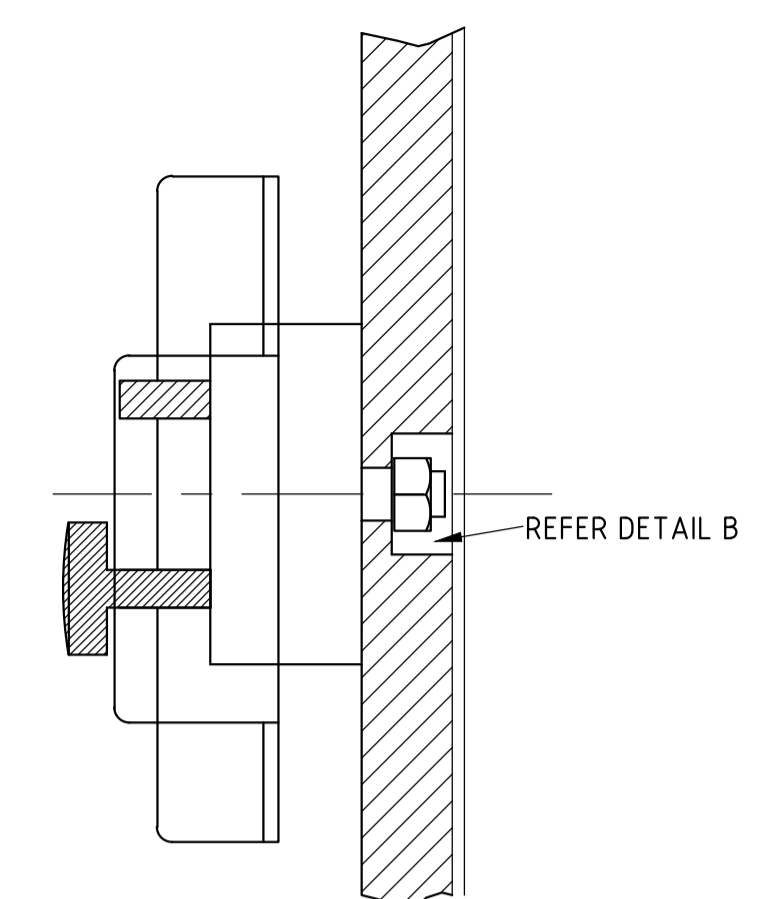
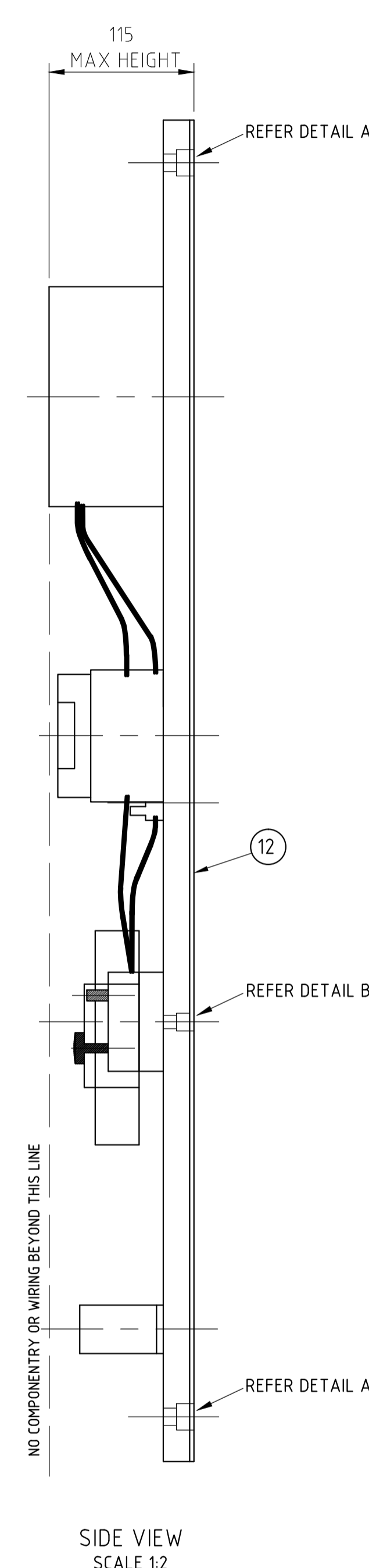
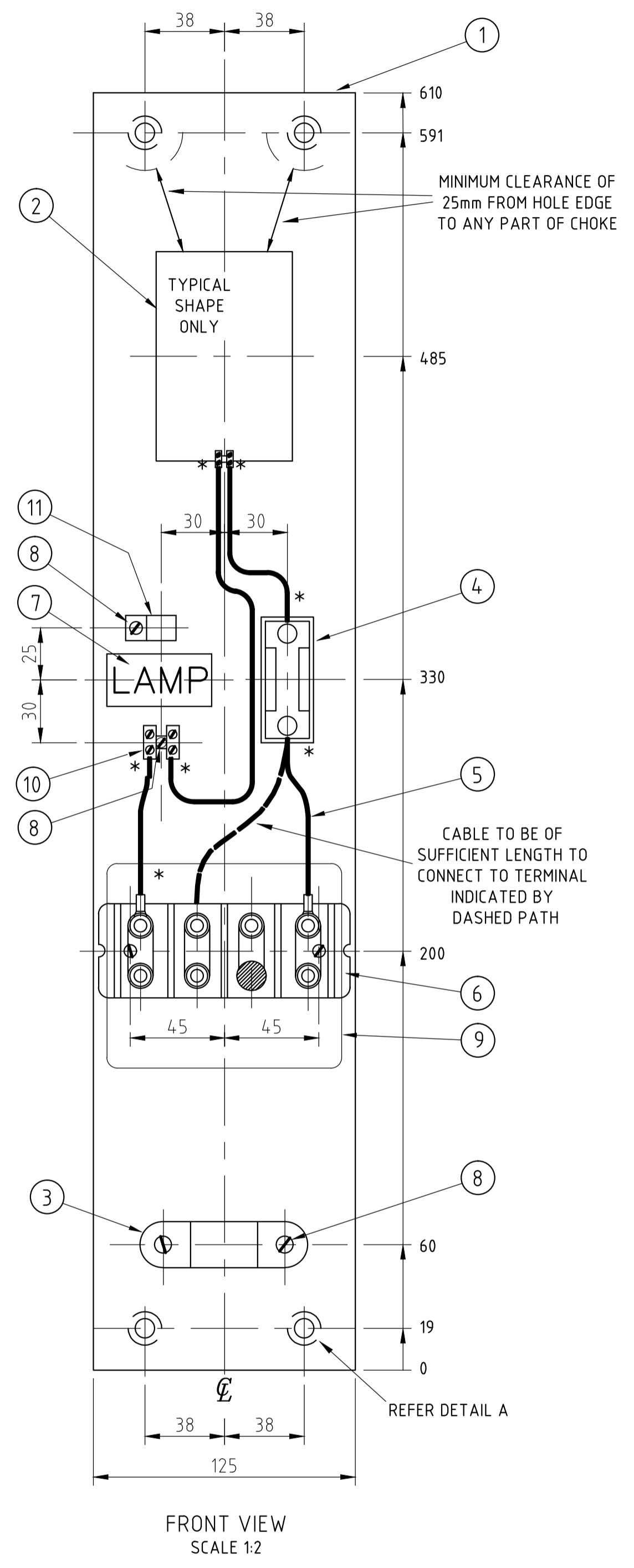
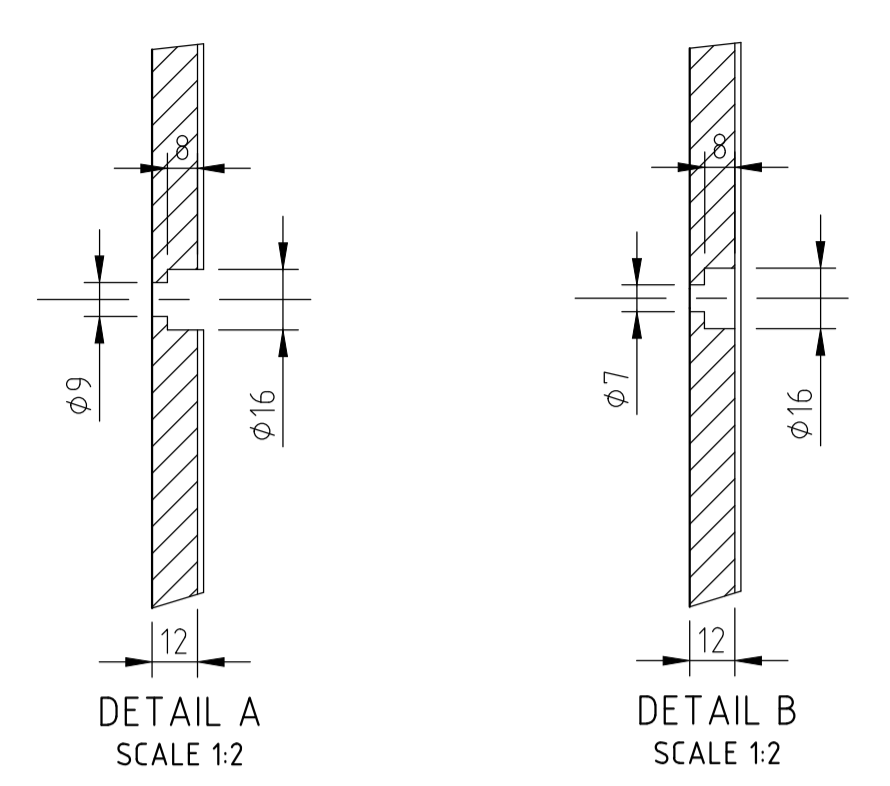


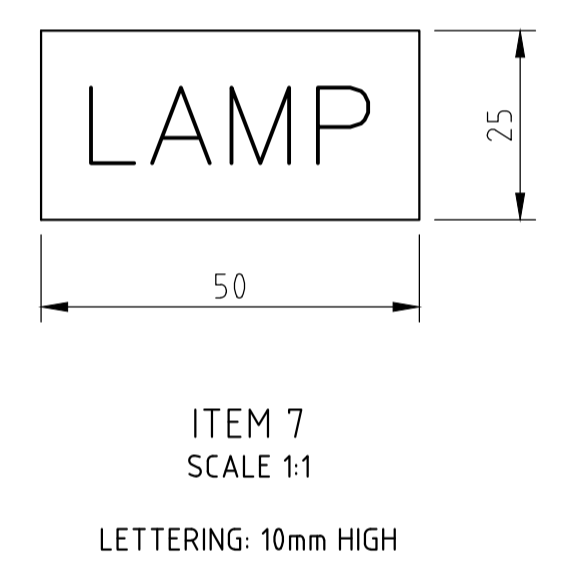
REFERENCE DRAWINGS	
7.5m, 9m & 10.5m LAMP STANDARD	26167
4 WAY MOULDED TERMINAL BLOCK - 0BA STUD FOR STREET LIGHTING STANDARDS	40980
HIGHWAY COLUMN - SE CONCRETE STANDARDS	41300
MODIFIED ROCKS STYLE LIGHTING COLUMNS (IN GROUND & BPM)	63060
ROCKS STYLE LIGHTING COLUMN ARRANGEMENT & DETAILS	53942
STEEL POST TAP COLUMN, IN GROUND MOUNTED	66271
STEEL CURVED BRACKET ARM COLUMNS - IN GROUND MOUNTED	66272
STEEL CURVED BRACKET ARM COLUMNS - BASE PLATE MOUNTED	66273
STEEL COLUMNS WITH 4.5M OR 6M OUTREACH - IN GROUND MOUNTED	66637
STEEL COLUMNS WITH 4.5M OR 6M OUTREACH - BASE PLATE MOUNTED	115041



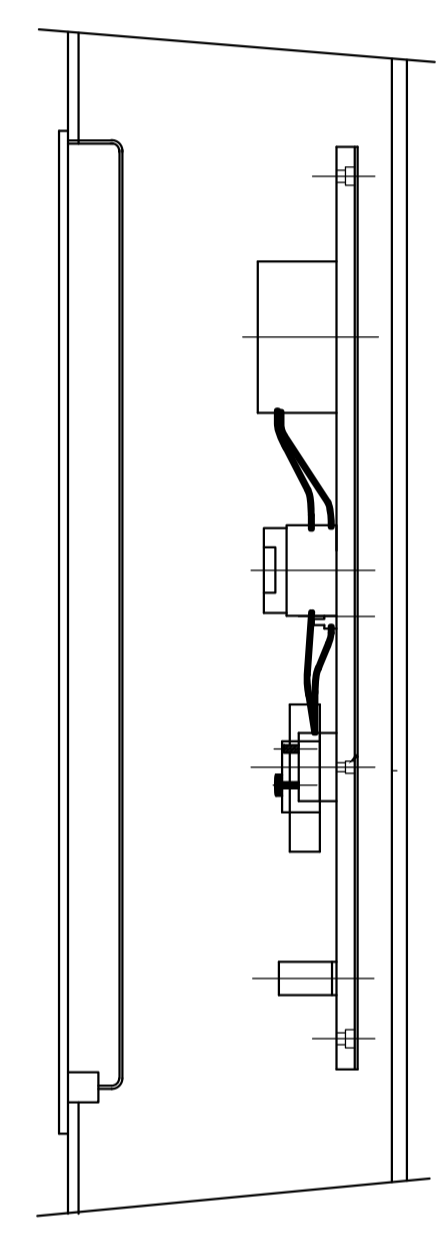
MOUNTING ARRANGEMENT FOR FOUR WAY TERMINAL BLOCK
SCALE 1:1



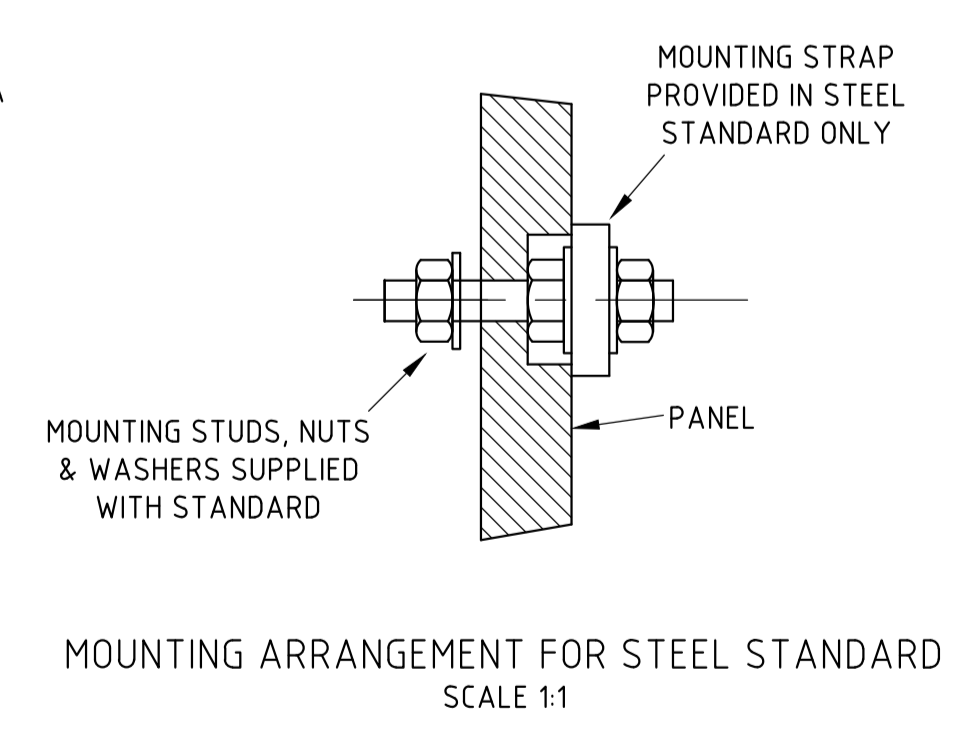
DETAIL A SCALE 1:2
DETAIL B SCALE 1:2



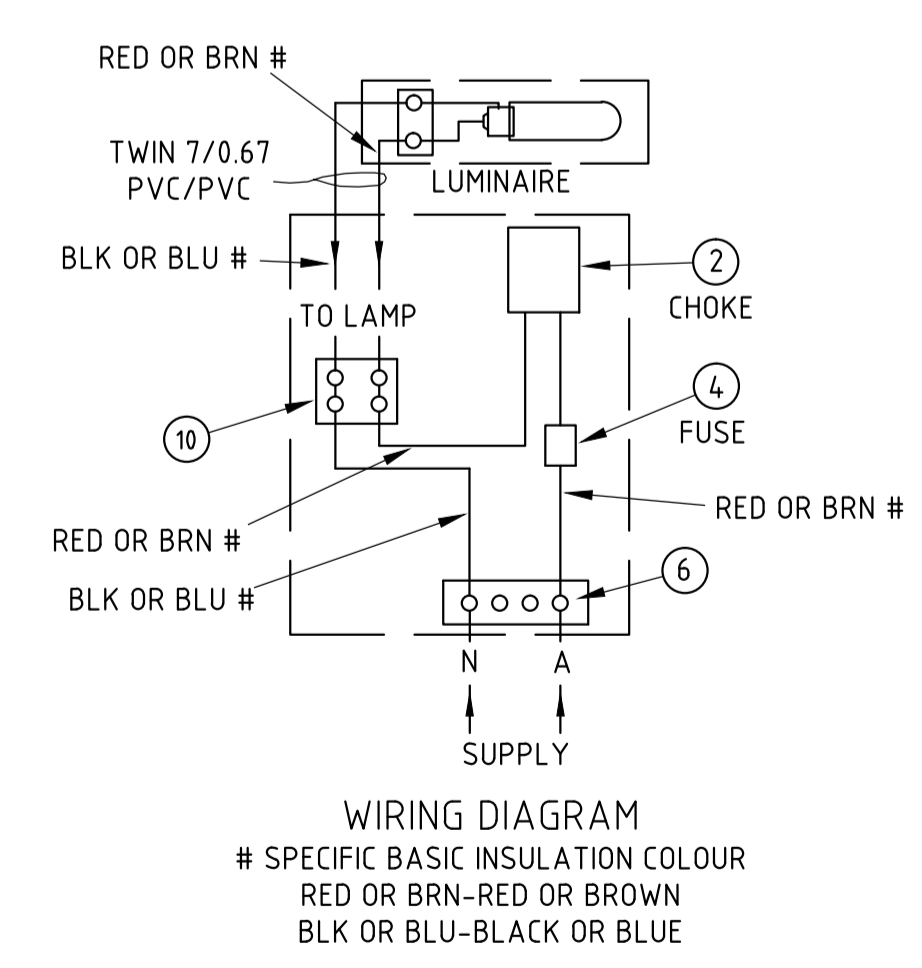
ITEM 7 SCALE 1:1
LETTERING: 10mm HIGH



CHOKE PANEL SHOWN MOUNTED IN STEEL LAMP STANDARD
SCALE 1:5



MOUNTING ARRANGEMENT FOR STEEL STANDARD
SCALE 1:1



WIRING DIAGRAM
SPECIFIC BASIC INSULATION COLOUR
RED OR BRN-RED OR BROWN
BLK OR BLU-BLACK OR BLUE

NOTES

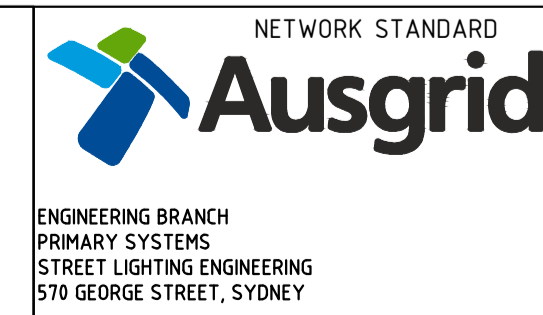
- THIS PANEL IS DESIGNED FOR USE WITH DEDICATED SL CIRCUITS.
- WIRING AND COMPONENTRY MUST NOT PROJECT BEYOND THE EDGE OF THE PANEL, NOR EXCEED THE HEIGHT LIMIT SHOWN.
- BOTH THE CHOKE (ITEM 2) AND THE FRONT CONNECTED FUSE (ITEM 4) ARE TO BE SECURED TO THE PANEL (ITEM 1) BY MEANS OF SELF TAPPING SCREWS.
- THE CHOKE SHALL HAVE TWO TERMINALS ONLY AND SHALL TERMINATE WITH TUNNEL TYPE CONNECTORS.
- THE ACTIVE TERMINAL SHALL BE TAKEN AS THAT ON THE FAR RIGHT OF THE 4 WAY TERMINAL BLOCK. THE NEUTRAL SHALL BE TAKEN AS THAT ON THE FAR LEFT OF THE 4 WAY TERMINAL BLOCK.
- ALL WIRING BETWEEN THE 4 WAY TERMINAL BLOCK FOR THE INCOMING SUPPLY AND THE 2 WAY TERMINAL BLOCK FOR CONNECTION TO THE LAMP, INCLUDING THE FUSE AND CHOKE, SHALL BE SO CONSTRUCTED AND RESTRAINED PERMANENTLY AS TO COMPLY WITH THE REQUIREMENTS OF CLAUSE 5.4.7 OF AS3100. THE PROVISION OF THIS NOTE DO NOT APPLY TO WIRING WHERE CONNECTED DIRECTLY TO THE ACTIVE TERMINAL ON THE 4 WAY TERMINAL BLOCK. TYPICALLY RESTRAINED WIRING SHALL BE RESTRAINED WHERE INDICATED THUS *
- THE REAR INSULATING PANEL COVER (ITEM 12) TO BE GLUED TO THE BACK OF THE PANEL AFTER ALL THE ACCESSORIES HAVE BEEN SECURED ONTO THE FRONT OF THE PANEL.
- SELF TAPPING SCREWS SHALL BE ASSEMBLED INTO PILOT HOLES. SCREWS SHALL NOT PENETRATE THE PANEL BY MORE THAN 10mm.

PANEL	STOCKCODE
125W	66795
250W	66787
400W	66779
700W	66761
1000W	66753

ITEM	DESCRIPTION	QUANTITY	MATERIAL
12	PANEL - REAR INSULATING COVER	1	1.6mm S.R.B.P. SHEET (AS-1795 PART 1)
11	CABLE CLAMP	1	UTILUX CAT. No H1509 OR SIMILAR
10	TERMINAL BLOCK	1	CLIPSAL CAT. No BP102
9	COVER	1	UTILUX CAT. No H2517 P.V.C. CLEAR
8	SELF TAPPING SCREW	As Req.	ELECTROPLATED STEEL
7	LABEL - YELLOW ON BLACK	1	PHOTO SENSITIVE SELF ADHESIVE
6	4 WAY TERMINAL BLOCK (TO A3-40980)	1	MOULDED INSULATION
5	PANEL WIRING	As Req.	7/0.67 P.V.C./P.V.C.
4	10A, F/C HRC CLIP IN FUSE & HOLDER.	1	MEM ADV20FF SHROUDED FUSE BASE OR SIMILAR
3	CABLE SADDLE (INTERNAL RADIUS 15mm)	1	NYLON OR PVC
2	LAMP CHOKE (TO S.E. SPECIFICATION)	1	
1	PANEL (TO AS-1795 PART 1)	1	12mm FORMICA GRADE SWITCH PANEL

CAD DRAWING
DO NOT MANUALLY AMEND
AMENDMENTS
20-NEW DRAWING MADE
DPEX 6568-1-1-6
P.JARVIS 6.5.16
CHECKED: J.BEDDING
APPROVED: J.BEDDING

CONSTRUCTION



SCALE DESIGNED AS SHOWN
DRAWN
CHECKED
APPROVED
DATE 12/07/15
PROJECT NUMBER
PROJ/TRAK NUMBER

MERCURY VAPOUR CHOKE PANELS FOR STREET LIGHTING STANDARDS

SIZE A1 DRAWING No 24969 SHEET 1 OF 20