

1 2 3 4 5 6 7 8

NOTE: ITEM NUMBERS ON THIS PAGER REFER TO DESCRIPTION LIST ON PAGE 1

A

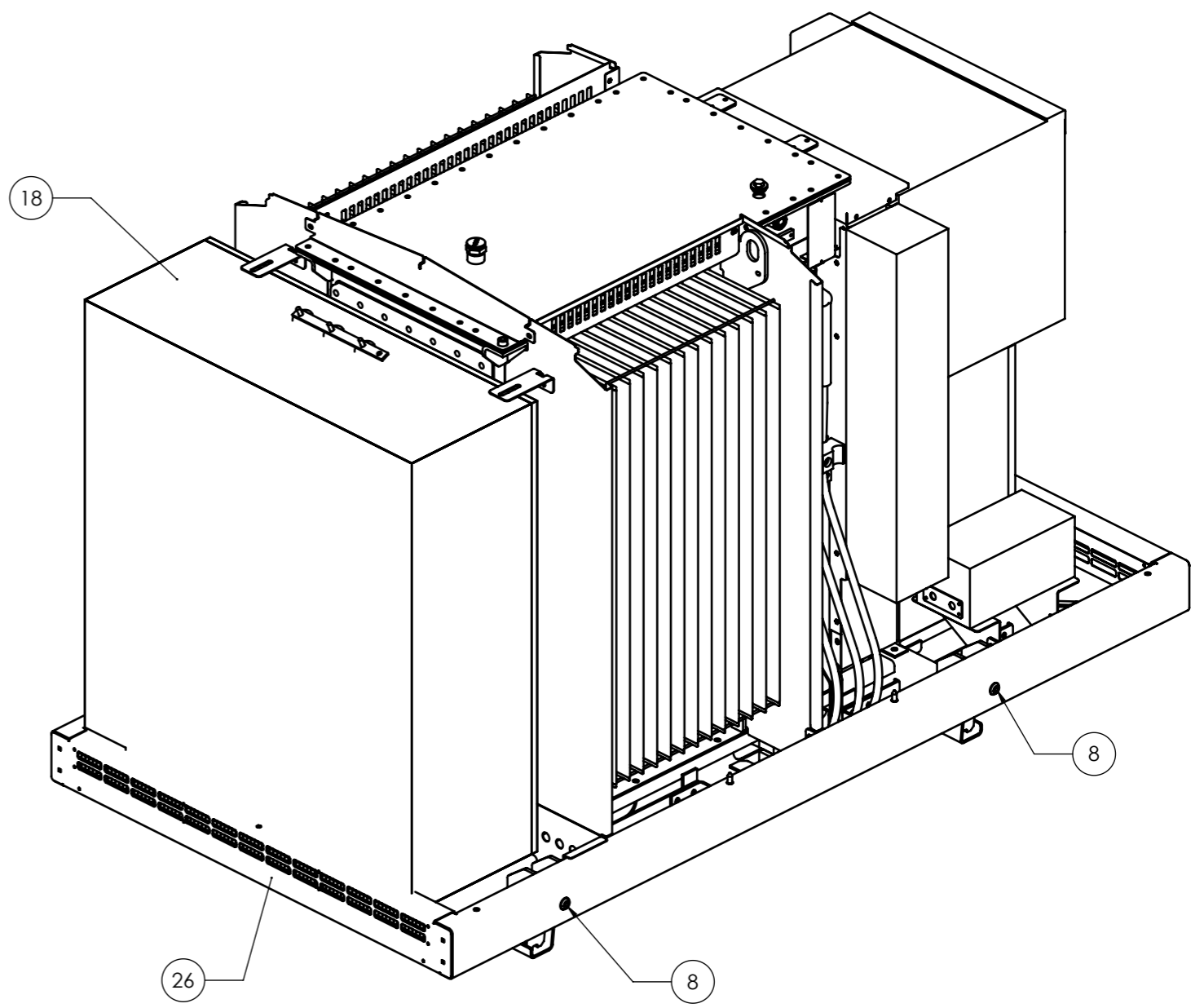
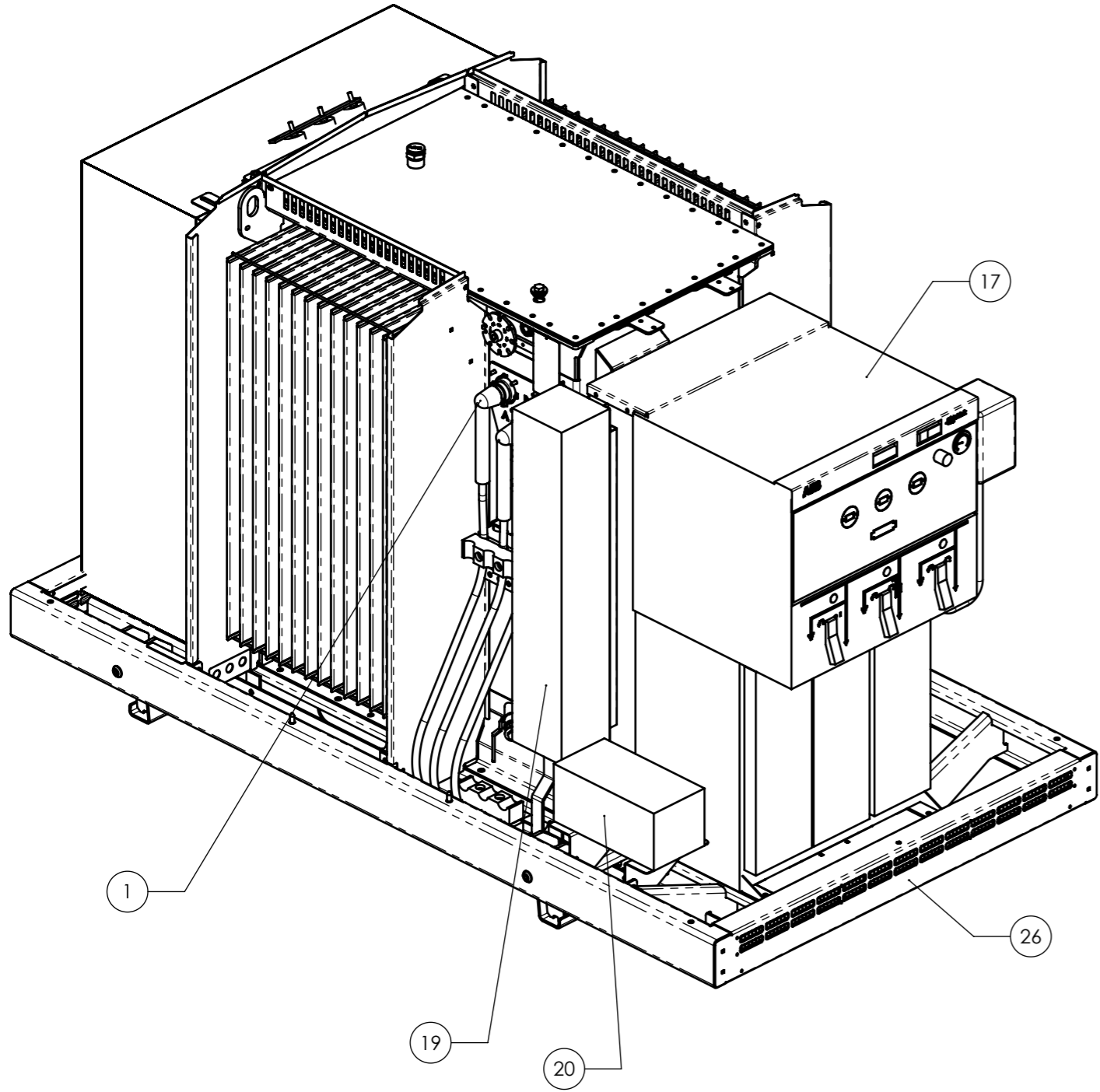
B

C

D

E

F



238568_02R00

FINISH: N/A

SHEET SIZE A3

THIRD ANGLE PROJ.

All Welds to conform to AS 1554 sections 1 to 6, Cat.GP & 2B, unless specified otherwise.

Min Weld Size	Thickness of thinnest part	Min.weld size
≤ 6mm	≤ 6mm	Thinnest mat. thickness
> 6mm to 8 mm	> 6mm to 8 mm	6 mm
> 10 mm	> 10 mm	Thinnest mat. less 2 mm

Butt weld DDT to be "Incomplete penetration butt weld"

TOLERANCE UNLESS OTHERWISE STATED

LINEAR	ANGULAR
1 ±1 (0-2000)	1 ±1°
1 ±3 (>2000)	1.0 ±1°
1.0 ±0.5	1.00 ±0.05°
1.00 ±0.05	



WILSON TRANSFORMER CO. PTY. LTD.
ACN 004 216 979

DESCRIPTION

KIOSK TRANSFORMER 800kVA

SCALE 1:16 PAGE 2 OF 4 FILE NO. 881-A008-11

ALL DIMENSIONS ARE IN mm UNLESS OTHERWISE STATED

REV U